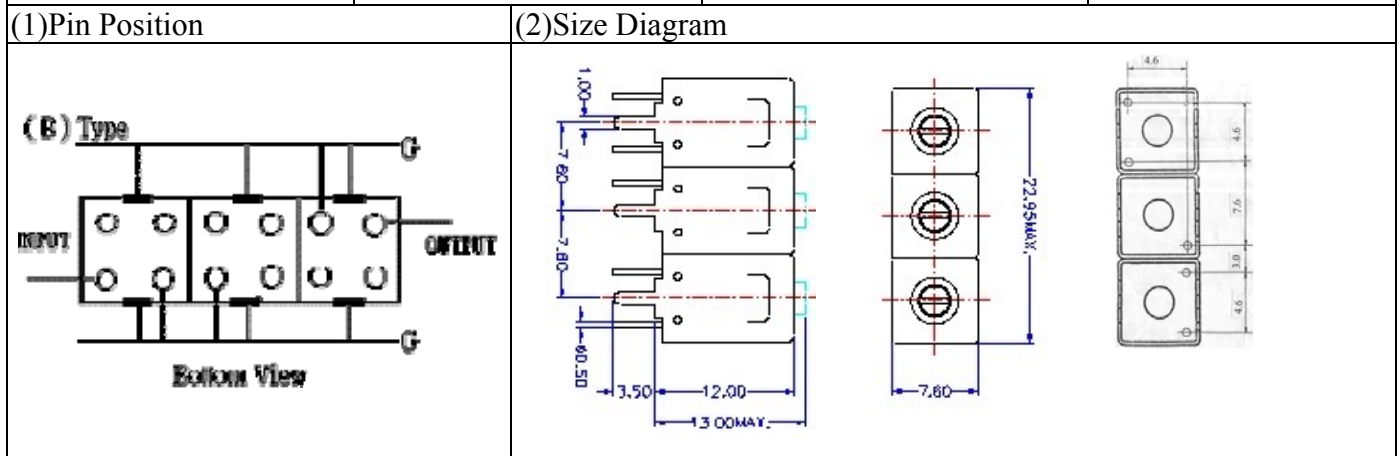


VHF UHF Helical Filter Specification Sheet

Customer Name		Temwell's Part No.	TTL67837B-706M
Approval No. /dated	0510119APR	Acceptable Specify Fo Range	701~750MHz
Work Instruction No.	0510119DB	Date	Oct.24.2005



(3) Electric Character

Item	Specify	Performance	
Center Freq.(Fo) +/- 0.5 %	706 MHz	706 MHz	
Tunable Range	706±5 MHz	706±5 MHz	
Insertion Loss	Typ. 4.5 dB	3.48 dB	
-3 dB Bandwidth	Typ. 9 MHz	14.1 MHz	
Sensitivity (Attenuation)	Fo - 50 MHz	Typ. 43 dBc	46 dBc
	Fo + 50 MHz	Typ. 34 dBc	37 dBc
	Fo - ()MHz	Typ. dBc	dBc
	Fo + ()MHz	Typ. dBc	dBc
Return Loss	Min. 12 dB	20 dB	
Ripple	< 1 dB	dB	
Impedance	In / Out : 75 Ω	In / Out : 75 Ω	
(4) Torque for Tuning Screw	> 60gf · cm		

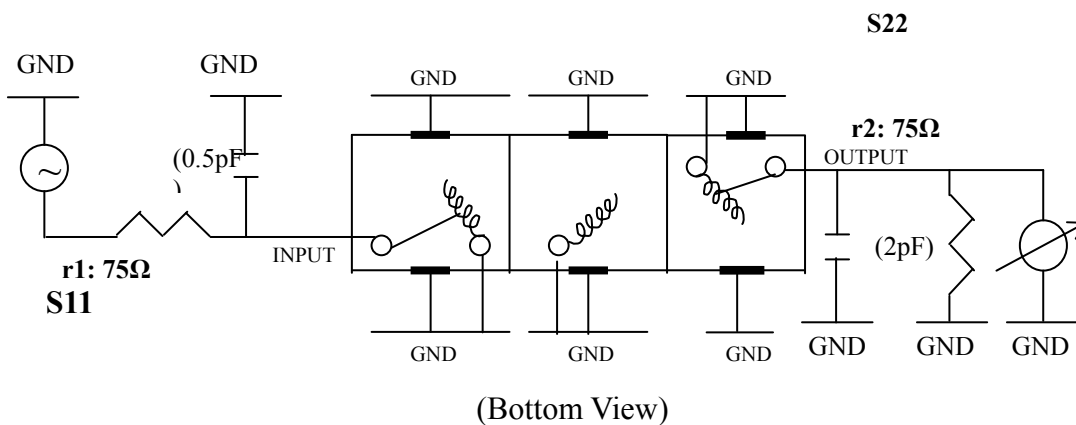
(5) Temperature Condition:

Operating Temperature	0°C ~ +60°C
Storage Temperature	-20°C ~ +70°C

(6) Input Power

> 1Watt

(7) Measuring Circuit: ※Easy to match Impedance S11/S22 75Ω/by parallel with about(0.5 pF) / (2 pF).



Approval	Supervisor	Designer	Aperture size
C.Y. Chang	C.S. Chang	C.S. Chang	7H3S(4*4.65) 7H046RB4

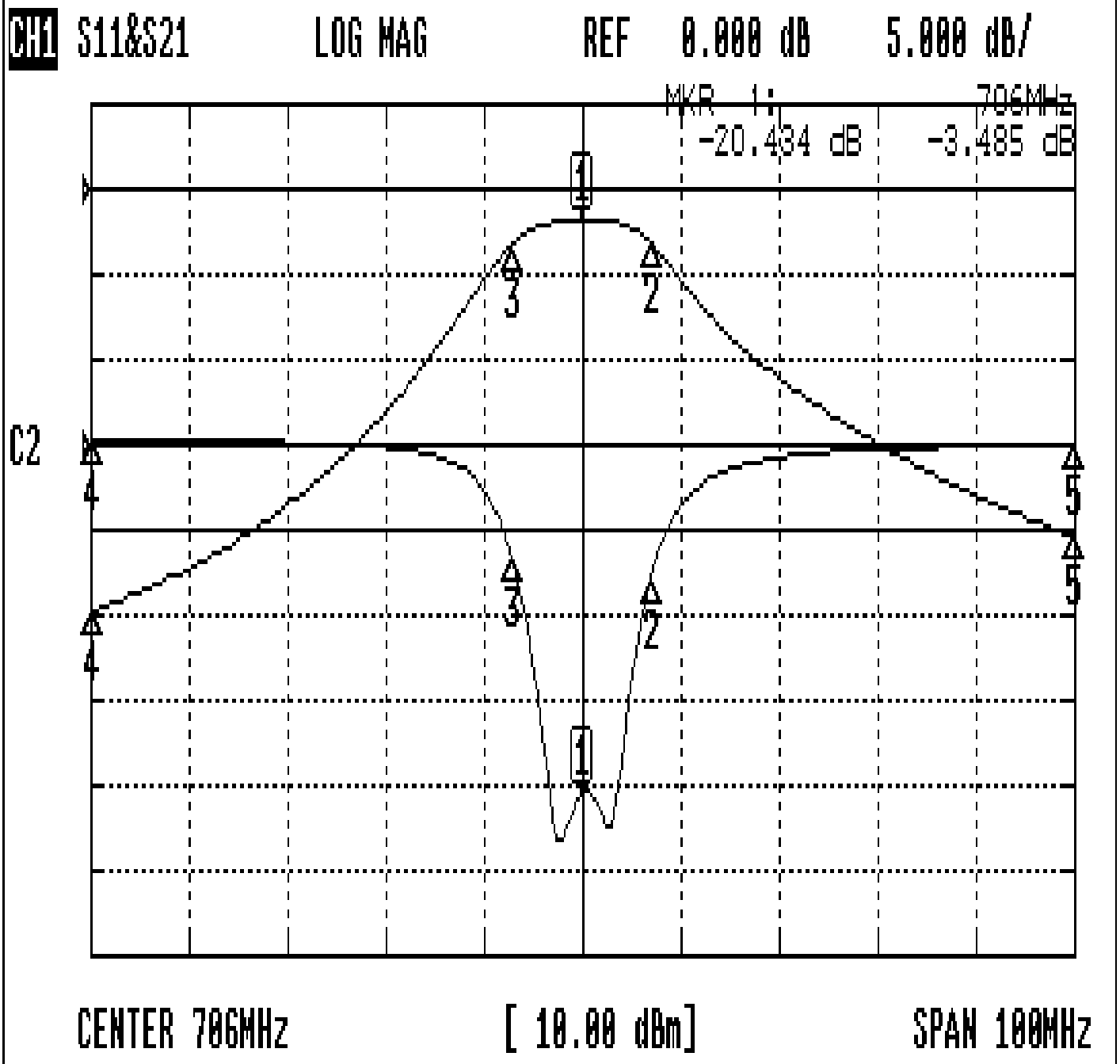
TEMWELL CORPORATION

TEMWELL

Form10-7H3B Vision D

Performance-TTL67837B-706M

0510119DB



CH1 MARKER LIST

1:	706.000MHz	-20.434 dB	-3.485 dB
2:	713.000MHz	-7.792 dB	-6.423 dB
3:	698.916MHz	-6.668 dB	-6.438 dB
4:	656.000MHz	0.200 dB	-49.302 dB
5:	756.000MHz	0.013 dB	-40.708 dB