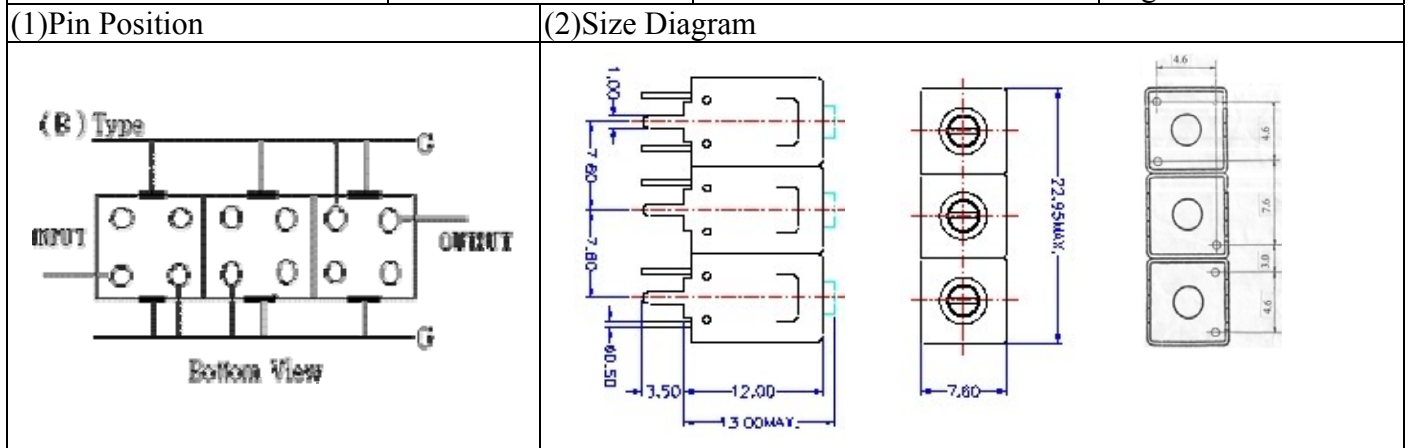
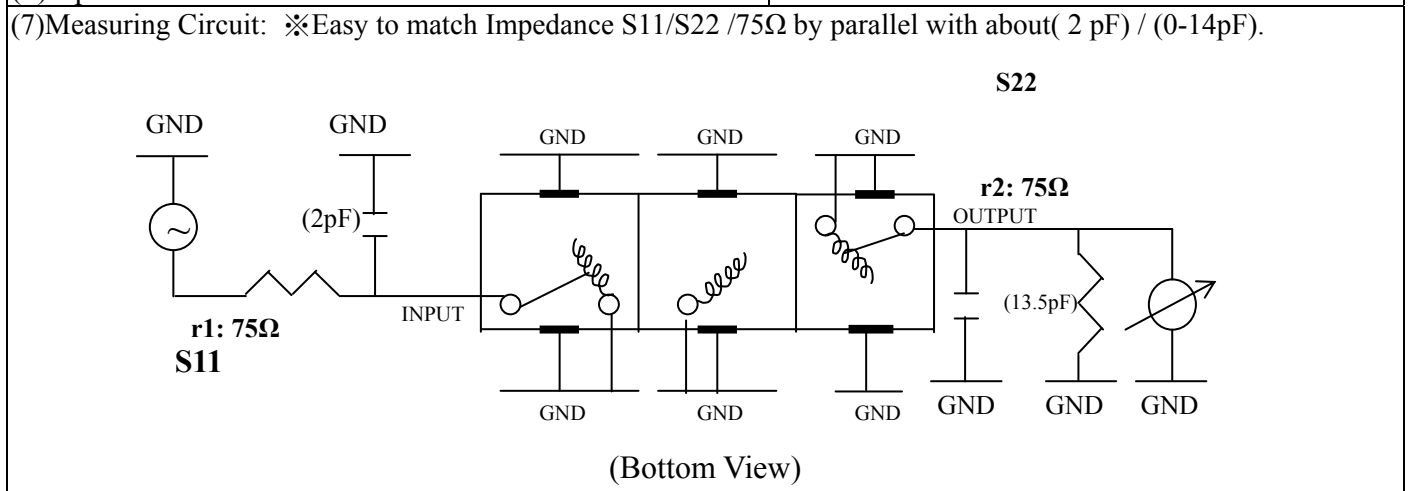


VHF UHF Helical Filter Specification Sheet

Customer Name		Temwell's Part No.	TTL6768B-195.5M
Approval No. /dated	20408042DC	Temwell's print name	6768B 195.5M
Work Instruction No.	20408042DC	Date	Aug.19.2004



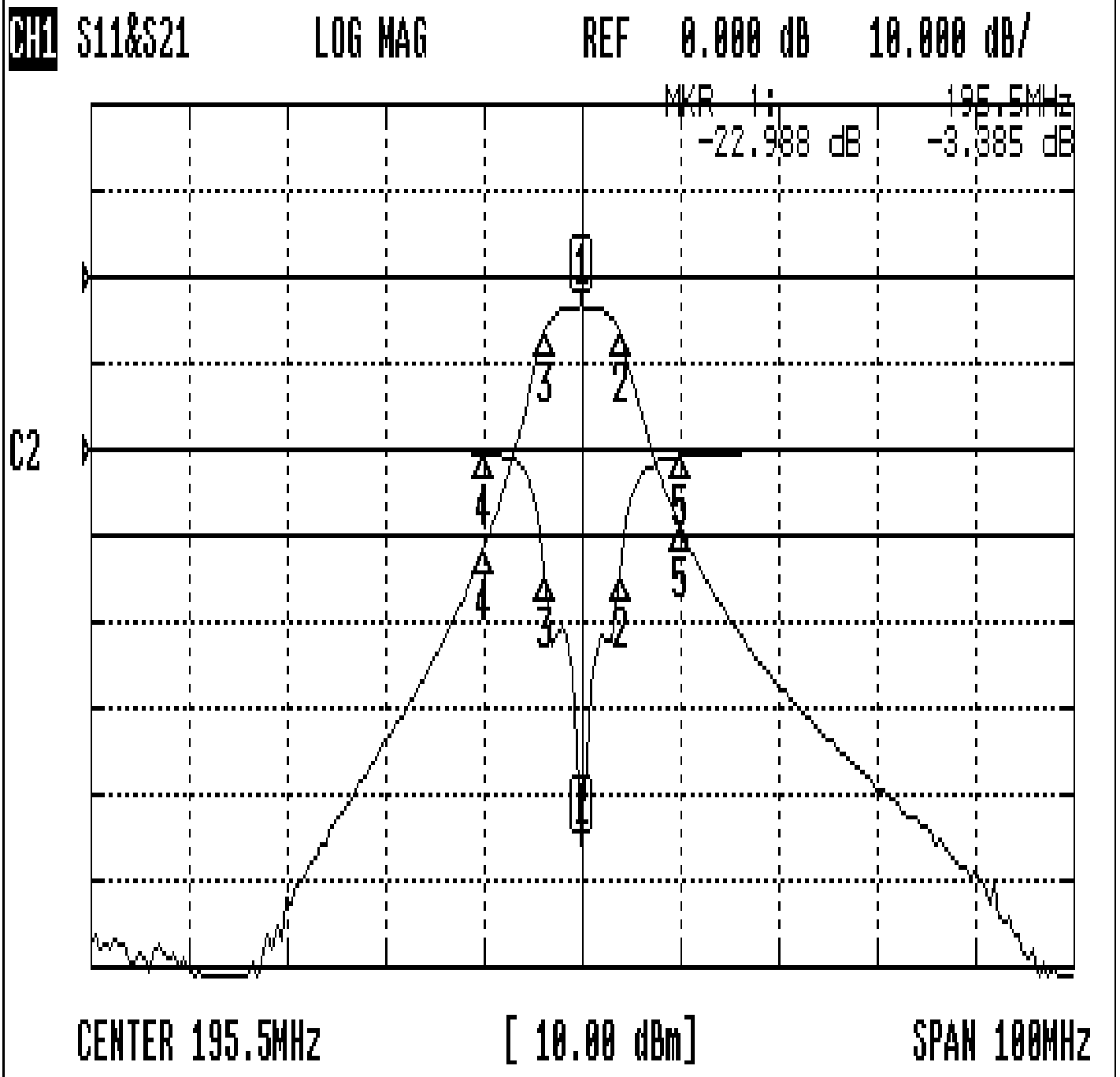
(3) Electric Characteristic			
Item	Specify	Performance	
Center Freq.(Fo) +/- 0.5 %	195.5 MHz	195.5 MHz	
Tunable Range: <input checked="" type="checkbox"/> Fo±8MHz <input type="checkbox"/> Fo±10MHz <input type="checkbox"/> Fo±15MHz	195.5±2 MHz	195.5±2 MHz	
Insertion Loss	Typ. 4.0 dB	3.3 dB	
-3 dB Bandwidth	Typ. 5 MHz	7 MHz	
Sensitivity (Attenuation)	Fo - 10 MHz	Typ. 24 dBc	27 dBc
	Fo + 10 MHz	Typ. 22 dBc	25 dBc
	Fo - ()MHz	Typ. dBc	dBc
	Fo +()MHz	Typ. dBc	dBc
Return Loss	Min. 12 dB	22.9 dB	
Ripple	< 1 dB	dB	
Impedance	In / Out : 75 Ω	In / Out : 75 Ω	
(4) Torque for Tuning Screw			
		> 100gf • cm	
(5) Temperature Condition:			
Operating Temperature		0°C ~ +60°C	
Storage Temperature		-20°C ~ +70°C	
(6) Input Power		> 1Watt	



Approval	Supervisor	Designer	Aperture size
C.S.Chang	C.S.Chang	P.H.Chiang	7H3(4*5.5)(5.60)F 7H024LB4
TEMWELL CORPORATION			

Performance-TTL6768B-195.5M

20408042DC



CH1 MARKER LIST

1:	195.500MHz	-22.976 dB	-3.383 dB
2:	199.333MHz	-7.489 dB	-6.387 dB
3:	191.750MHz	-7.564 dB	-6.261 dB
4:	185.500MHz	-0.199 dB	-31.595 dB
5:	205.500MHz	-0.376 dB	-28.890 dB