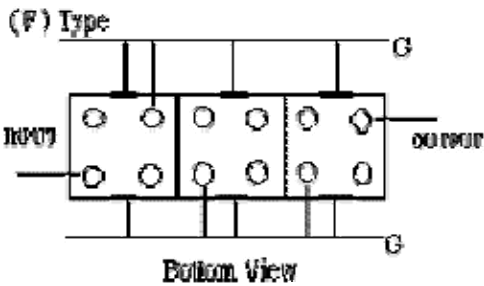
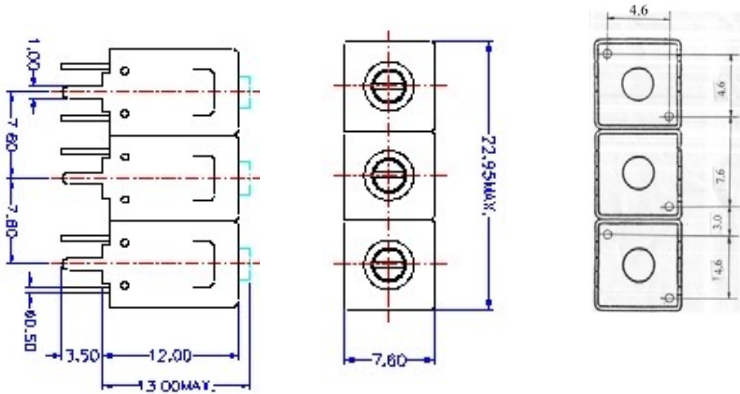


VHF UHF Helical Filter Specification Sheet

Customer Name		Temwell's Part No.	TTL67619F-770M
Approval No. /dated	20212026DC	Acceptable Specify Fo. Range	751~800MHz
Work Instruction No.	20212026DC	Date	Jan. 2, 2003

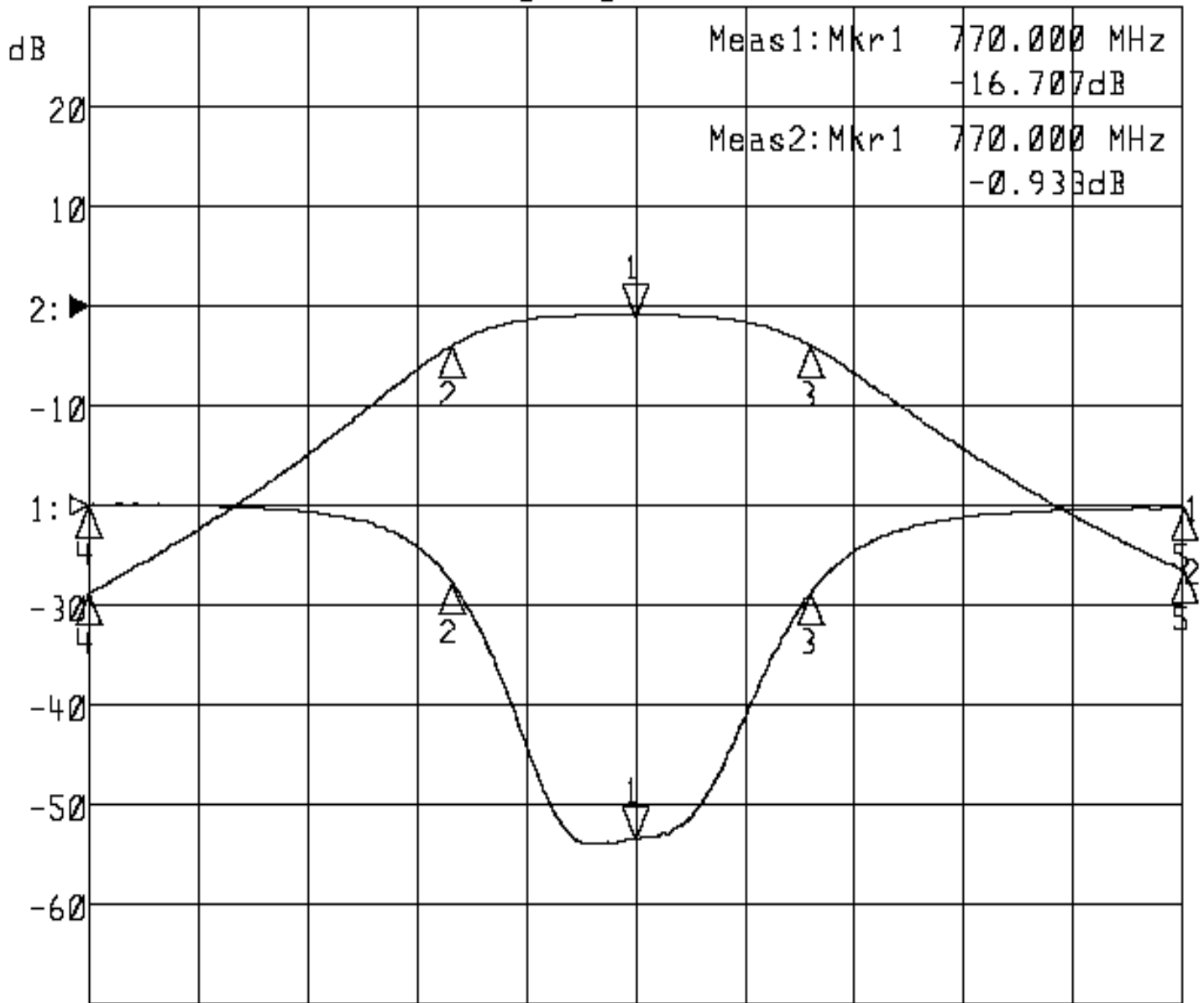
<p>(1) Pin Position</p>  <p style="text-align: center;">Bottom View</p>	<p>(2) Size Diagram</p> 
--	--

(3) Electric Character			
Item	Specify	Performance	
Center Freq.(Fo) +/- 0.5 %	770 MHz	770 MHz	
Tunable Range	770±3 MHz	770±3 MHz	
Insertion Loss	Typ. 2.0 dB	0.93 dB	
-3 dB Bandwidth	Typ. 94 MHz	98.5 MHz	
Sensitivity (Attenuation)	Fo - 150 MHz	Typ. 25 dBc	28 dBc
	Fo + 150 MHz	Typ. 22 dBc	25 dBc
	Fo - ()MHz	Typ. dBc	dBc
	Fo + ()MHz	Typ. dBc	dBc
Return Loss	Min. 12 dB	16.7 dB	
Ripple	< 1 dB	dB	
Impedance	In / Out : 75 Ω	In / Out : 75 Ω	
(4) Torque for Tuning Screw		> 100gf · cm	
(5) Temperature Condition:			
Operating Temperature		0°C ~ +60°C	
Storage Temperature		-20°C ~ +70°C	
(6) Input Power		> 1Watt	
Approval	Supervisor	Designer	Aperture size
C.Y.Chang	C.S.Chang	C.S.Chang	7H3S-4*5.5 7H046RB6.5
TEMWELL CORPORATION			

Performance-TTL67619F-770M

20212026DC

▶1:S11 Refl Port1 Log Mag 5.0 dB/ Ref 0.00 dB C
 ▶2:S21 Fwd Trans Log Mag 10.0 dB/ Ref 0.00 dB C



Meas1:Mkr1 770.000 MHz
 -16.707dB
 Meas2:Mkr1 770.000 MHz
 -0.933dB

Center 770.000 MHz

Span 300.000 MHz

1:Mkr (MHz)	dB	2:Mkr (MHz)	dB
1> 770.0000	-16.707	1> 770.0000	-0.933
2: 719.6000	-3.825	2: 719.6000	-3.974
3: 818.1000	-4.400	3: 818.1000	-3.933
4: 620.0000	0.032	4: 620.0000	-28.866
5: 920.0000	-0.099	5: 920.0000	-26.451