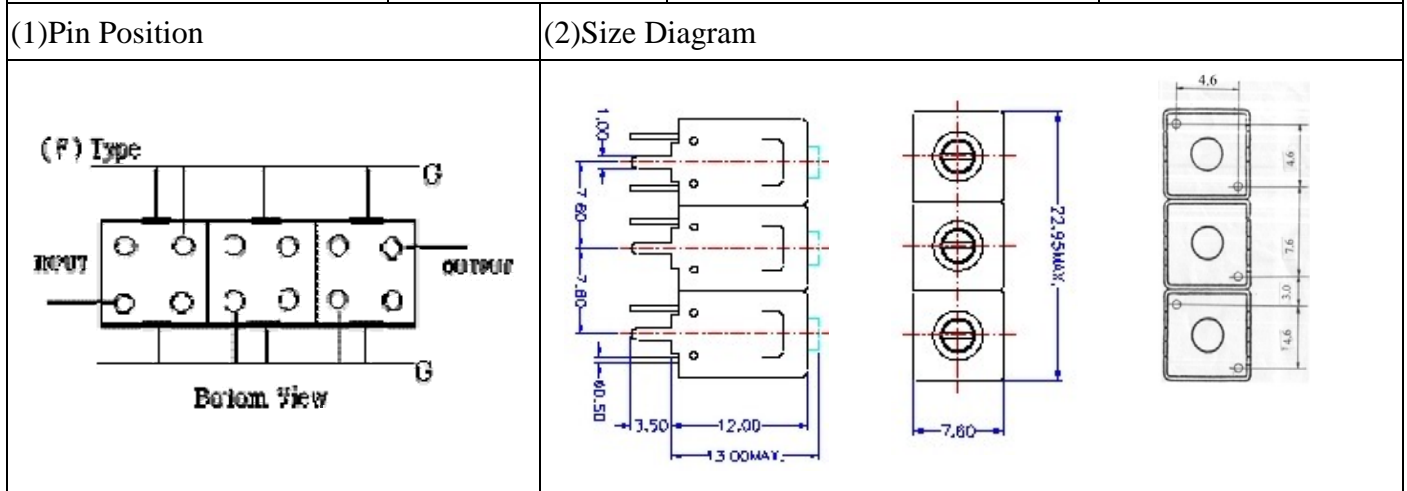


VHF UHF Helical Filter Specification Sheet

Customer Name		Temwell's Part No.	TTL67614F-670M
Approval No. /dated	20208077DC	Acceptable Specify Fo. Range	661~700MHz
Work Instruction No.	20208077DC	Date	Aug. 29, 2002



(3) Electric Character

Item	Specify	Performance
Center Freq.(Fo) +/- 0.5 %	670 MHz	670 MHz
Tunable Range	670±3 MHz	670±3 MHz
Insertion Loss	Typ. 2.0 dB	1.0 dB
-1 dB Bandwidth	Typ. 60 MHz	66 MHz
-3 dB Bandwidth	Typ. 65 MHz	70 MHz
Sensitivity (Attenuation)	Fo - 100 MHz	Typ. 35 dBc
	Fo + 100 MHz	Typ. 20 dBc
	Fo - ()MHz	Typ. dBc
	Fo +()MHz	Typ. dBc
Return Loss	Min. 12 dB	18 dB
Ripple	< 1 dB	dB
Impedance	In / Out : 75 Ω	In / Out : 75 Ω
(4) Torque for Tuning Screw	> 60gf · cm	

(5) Temperature Condition:

Operating Temperature	0°C ~ +60°C
Storage Temperature	-20°C ~ +70°C

(6) Input Power

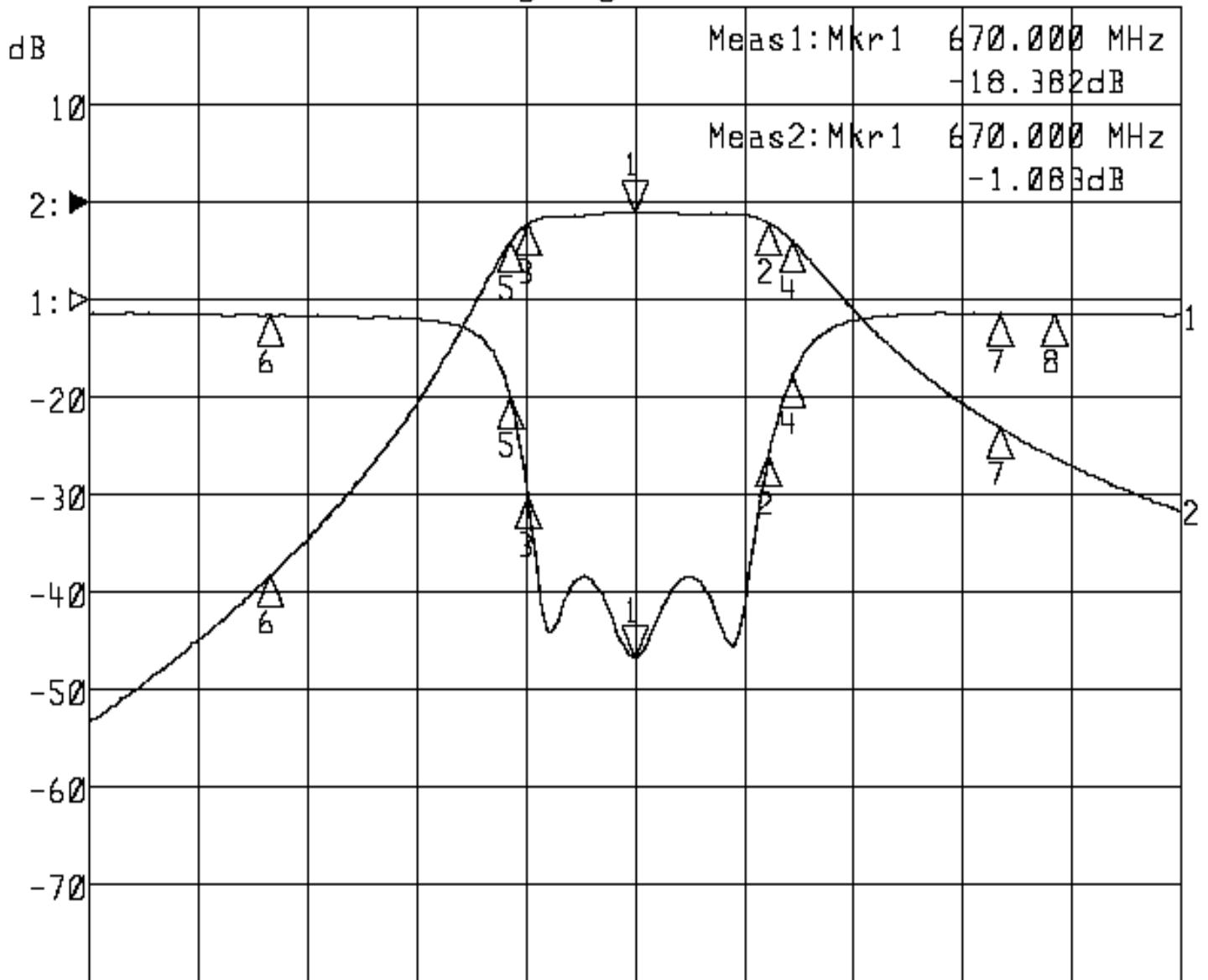
Approval	Supervisor	Designer	Aperture size
C.Y.Chang	C.S.Chang	C.S.Chang	7H3,4*6.5 7H046LB6

TEMWELL CORPORATION

Performance-TTL67614F-670M

20208077DC

▶1:S11 Refl Port1 Log Mag 5.0 dB/ Ref 0.00 dB C
 ▶2:S21 Fwd Trans Log Mag 10.0 dB/ Ref 0.00 dB C



Center 670.000 MHz

Span 300.000 MHz

1:Mkr (MHz)	dB	2:Mkr (MHz)	dB
1> 670.0000	-18.382	1> 670.0000	-1.083
2: 706.8000	-8.004	2: 706.8000	-2.135
3: 640.8000	-10.159	3: 640.8000	-2.171
4: 713.4000	-3.836	4: 713.4000	-4.022
5: 635.8000	-4.942	5: 635.8000	-4.110
6: 570.0000	-0.770	6: 570.0000	-38.338
7: 770.0000	-0.717	7: 770.0000	-23.073
8: 785.0000	-0.746		