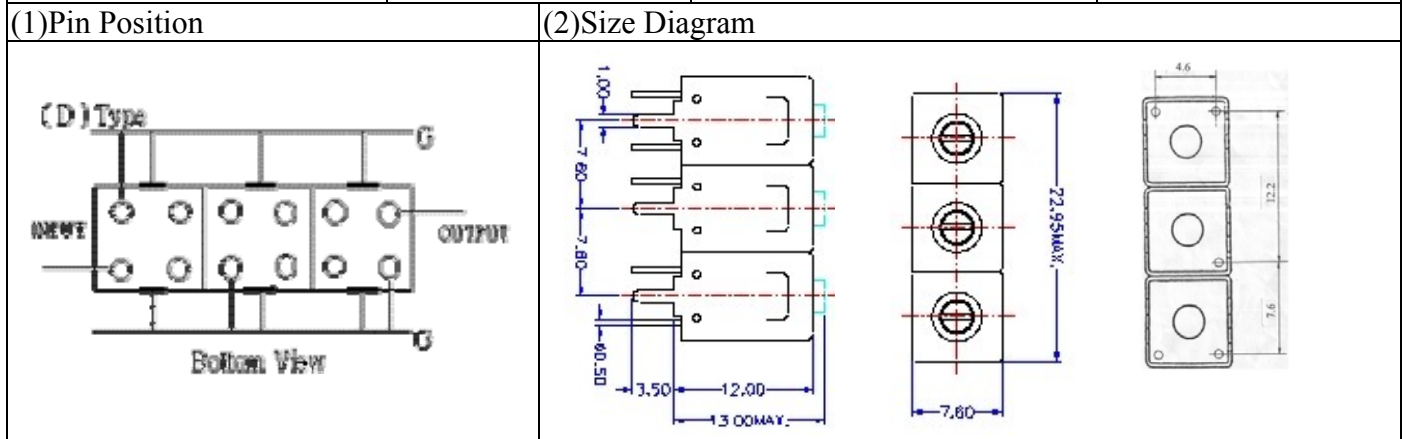


VHF UHF Helical Filter Specification Sheet

Customer Name		Temwell's Part No.	TTL6755D-123.5M
Approval No. /dated	20408034DC	Customer's Part No.	
Work Instruction No.	20408034DC	Date	Aug.18.2004
Buyer Print name		Temwell's print name	6755D 123.5M



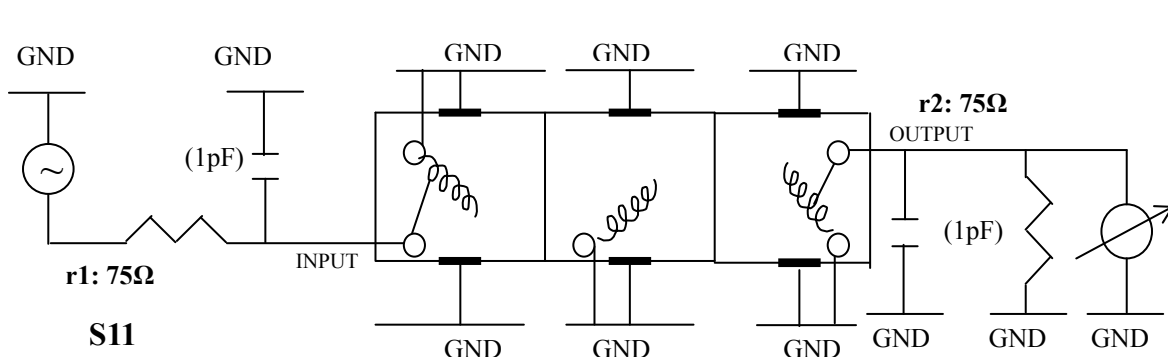
(3) Electric Chararistic			
Item		Specify	Performance
Center Freq.(Fo) +/- 0.5 %		123.5 MHz	123.5 MHz
Tunable Range: <input checked="" type="checkbox"/> Fo±8MHz <input type="checkbox"/> Fo±10MHz <input type="checkbox"/> Fo±15MHz		123.5±2 MHz	123.5±2 MHz
Insertion Loss		Typ. 4.5 dB	3.59 dB
-3 dB Bandwidth		Typ. 6 MHz	7 MHz
Sensitivity (Attenuation)	Fo - 10 MHz	Typ. 27 dBc	30 dBc
	Fo + 10 MHz	Typ. 21 dBc	24 dBc
	Fo - ()MHz	Typ. dBc	dBc
	Fo +()MHz	Typ. dBc	dBc
Return Loss		Min. 12 dB	25.9 dB
Ripple		< 1 dB	dB
Impedance		In / Out : 75 Ω	In / Out : 75 Ω

(4) Torque for Tuning Screw > 100gf · cm

(5) Temperature Condition:	
Operating Temperature	0°C ~ +60°C
Storage Temperature	-20°C ~ +70°C

(6) Input Power > 1Watt

(7) Measuring Circuit: ※Easy to match Impedance S11/S22 75Ω by parallel with about(1pF) / (1 pF).



(Bottom View)

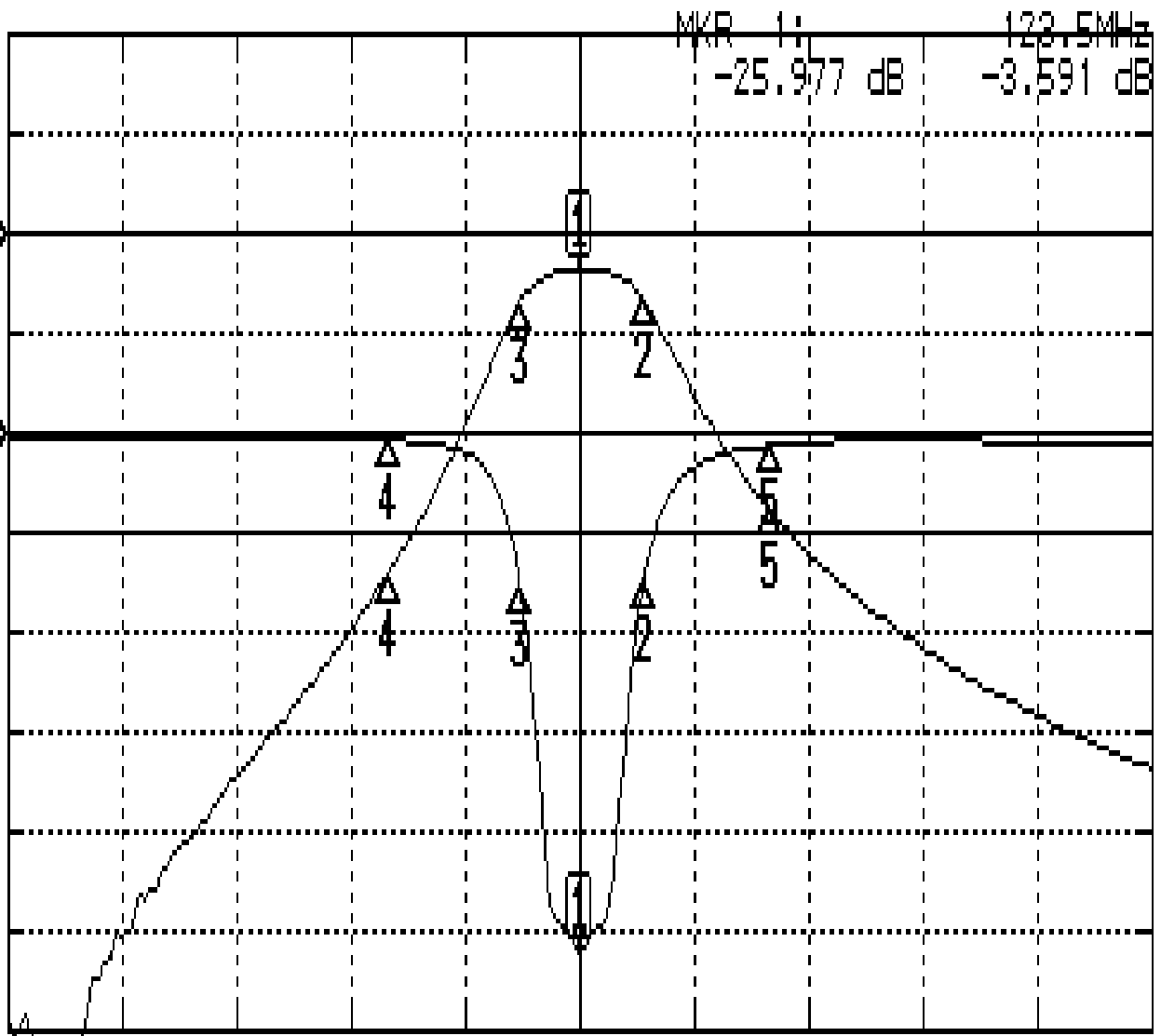
Approval	Supervisor	Designer	Aperture size
	C.S.Chang	J.F.Lin	7H3S(4*5.5)5.62 7H00LB4

TEMWELL CORPORATION

Performance- TTL6755D-123.5M

20408034DC

CH1 S11&S21 LOG MAG REF 0.000 dB 10.000 dB/



CENTER 123.5MHz

[10.00 dBm]

SPAN 60MHz

CH1 MARKER LIST

1:	123.500MHz	-25.977 dB	-3.591 dB
2:	126.900MHz	-7.483 dB	-6.595 dB
3:	120.450MHz	-7.932 dB	-6.629 dB
4:	113.500MHz	-0.362 dB	-33.971 dB
5:	133.500MHz	-0.612 dB	-27.760 dB