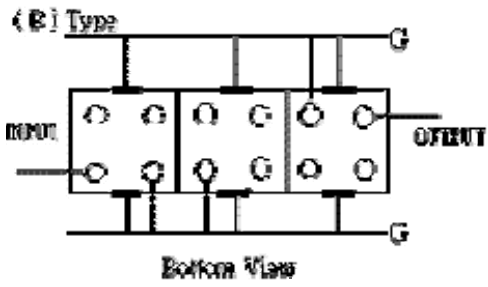
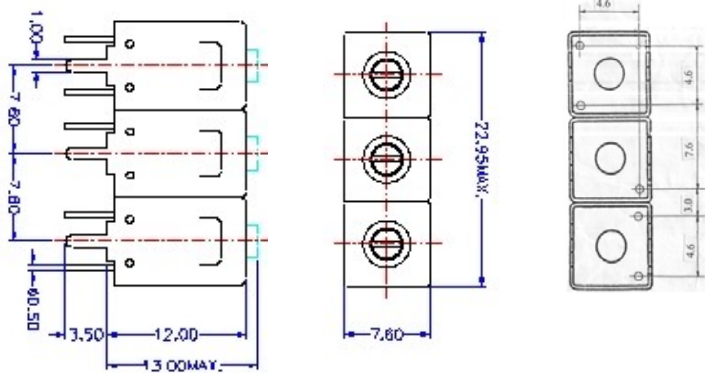


# VHF UHF Helical Filter Specification Sheet

Customer Name		Temwell's Part No.	TTL6755B-135M
Approval No. /dated	20311004DB	Acceptable Specify Fo. Range	126~145MHz
Work Instruction No.	20311004DB	Date	Nov.06.2003

(1)Pin Position	(2)Size Diagram
 <p style="text-align: center;">Bottom View</p>	

(3)Electric Character		
Item	Specify	Performance
Center Freq.(Fo ) +/- 0.5 %	135 MHz	135 MHz
Tunable Range	135±2 MHz	135±2 MHz
Insertion Loss	Typ. 4.5 dB	3.5 dB
-3 dB Bandwidth	Typ. 6 MHz	7 MHz
Sensitivity (Attenuation)	Fo - 10 MHz	Typ. 28 dBc
	Fo + 10 MHz	Typ. 23 dBc
	Fo - ( )MHz	Typ. dBc
	Fo + ( )MHz	Typ. dBc
Return Loss	Min. 12 dB	18.8 dB
Ripple	< 1 dB	dB
Impedance	In / Out : 75 Ω	In / Out : 75 Ω
(4)Torque for Tuning Screw	> 100gf • cm	

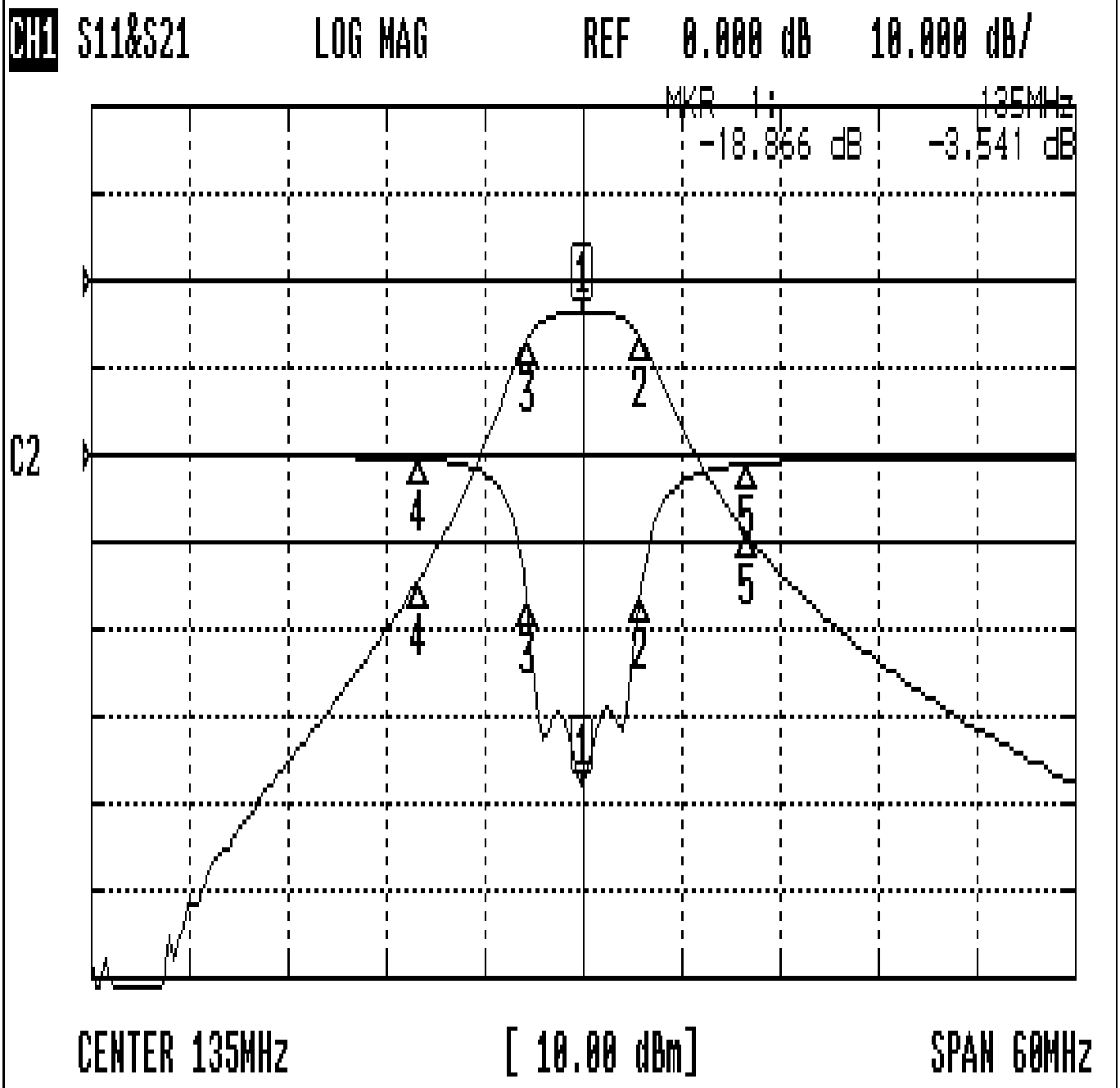
(5)Temperature Condition:	
Operating Temperature	0°C ~ +60°C
Storage Temperature	-20°C ~ +70°C
(6)Input Power	> 1Watt

Approval	Supervisor	Designer	Aperture size
C.Y. Chang	C.S. Chang	J.F. Lin	7H3S,4*5.5(5.65) 7H00LB4

TEMWELL CORPORATION

# Performance-TTL6755B-135M

## 20311004DB



### CH1 MARKER LIST

1:	135.000MHz	-18.866 dB	-3.541 dB
2:	138.550MHz	-8.806 dB	-6.567 dB
3:	131.650MHz	-8.649 dB	-6.529 dB
4:	125.000MHz	-0.260 dB	-34.314 dB
5:	145.000MHz	-0.540 dB	-29.089 dB