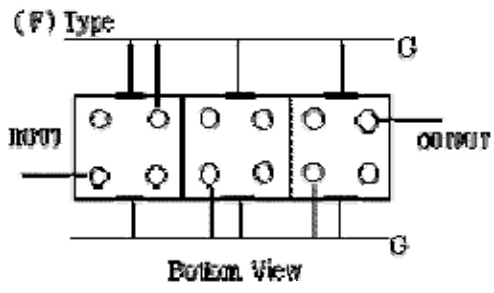
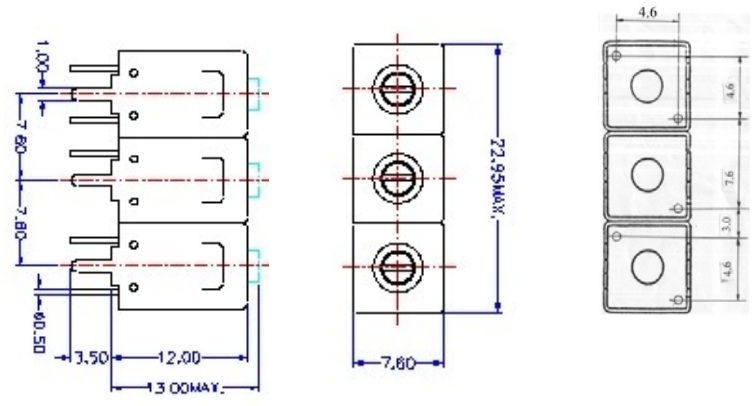


VHF UHF Helical Filter Specification Sheet

Customer Name		Temwell's Part No.	TTL67557F-742M
Approval No. /dated	20309003DC	Acceptable Specify Fo. Range	701~750MHz
Work Instruction No.	20309003DC	Date	Sep.4, 2003

<p>(1) Pin Position</p>  <p style="text-align: center;">Bottom View</p>	<p>(2) Size Diagram</p> 
--	--

(3) Electric Character

Item	Specify	Performance	
Center Freq.(Fo) +/- 0.5 %	742 MHz	742 MHz	
Tunable Range	742±3 MHz	742±3 MHz	
Insertion Loss	Typ. 3.0 dB	1.7 dB	
-1 dB Bandwidth	Typ. 25 MHz	32 MHz	
-3 dB Bandwidth	Typ. 30 MHz	35 MHz	
Sensitivity (Attenuation)	Fo - 40 MHz	Typ. 18 dBc	20 dBc
	Fo + 40 MHz	Typ. 26 dBc	28 dBc
	Fo - ()MHz	Typ. dBc	dBc
	Fo + ()MHz	Typ. dBc	dBc
Return Loss	Min. 12 dB	17 dB	
Ripple	< 1 dB	dB	
Impedance	In / Out : 75 Ω	In / Out : 75 Ω	
(4) Torque for Tuning Screw	> 60gf · cm		

(5) Temperature Condition:

Operating Temperature	0°C ~ +60°C
Storage Temperature	-20°C ~ +70°C

(6) Input Power

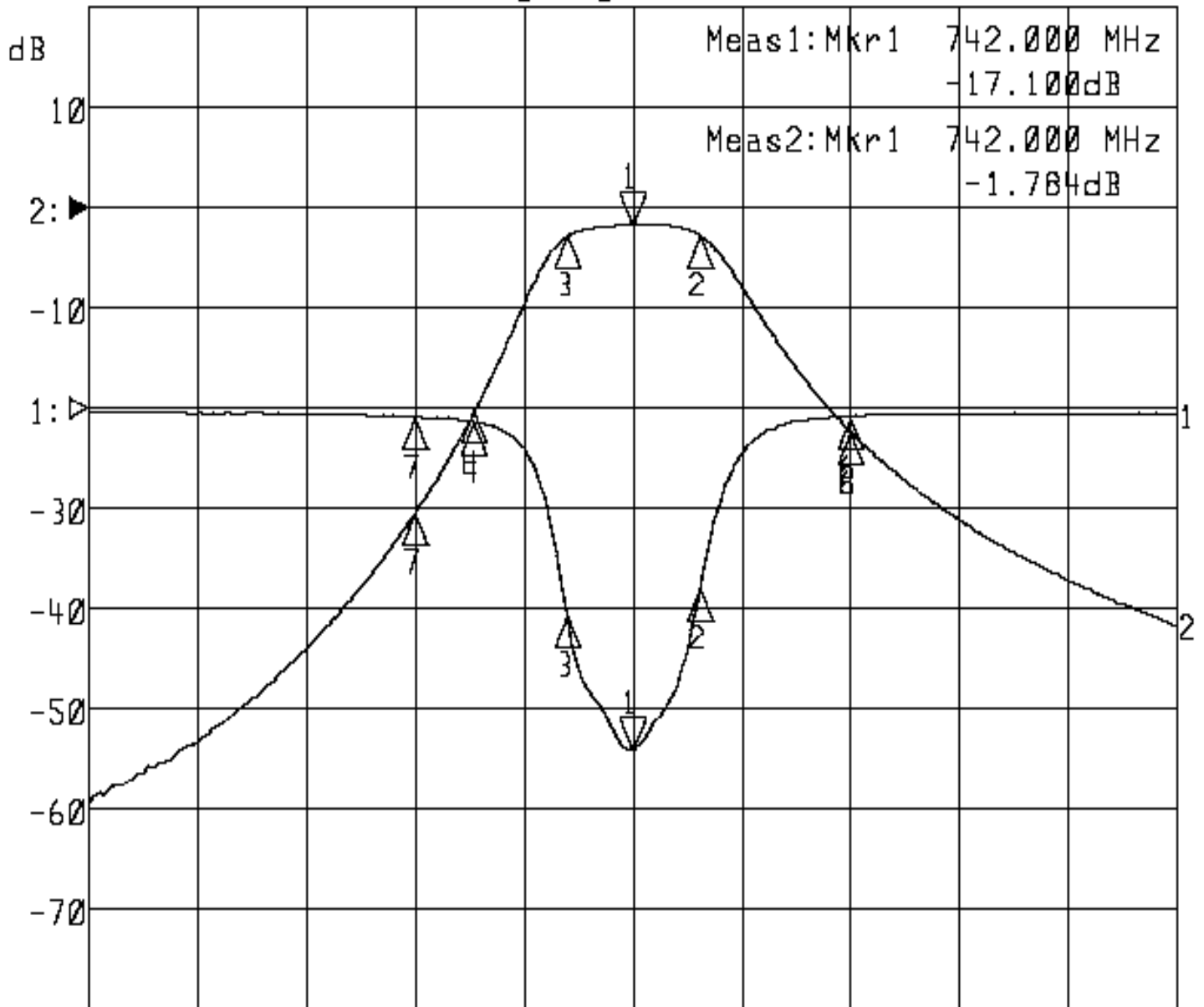
	> 1Watt
--	---------

Approval	Supervisor	Designer	Aperture size
C. Y.Chang	C. S.Chang	C. S.Chang	7h3s(4*6.5) 7H046LB4 聚 3

TEMWELL CORPORATION

Performance-TTL67557F-742M 20309003DC

▷1:S11 Refl Port1 Log Mag 5.0 dB/ Ref 0.00 dB C
 ▷2:S21 Fwd Trans Log Mag 10.0 dB/ Ref 0.00 dB C



Meas1:Mkr1 742.000 MHz
 -17.100 dB
 Meas2:Mkr1 742.000 MHz
 -1.784 dB

Center 742.000 MHz

Span 200.000 MHz

1:Mkr (MHz)	dB	2:Mkr (MHz)	dB
1> 742.0000	-17.100	1> 742.0000	-1.784
2: 754.3333	-8.974	2: 754.3333	-2.715
3: 730.0000	-10.375	3: 730.0000	-2.782
4: 713.0000	-0.713	4: 713.0000	-20.304
6: 782.0000	-0.456	6: 782.0000	-22.412
7: 702.0000	-0.458	7: 702.0000	-30.520