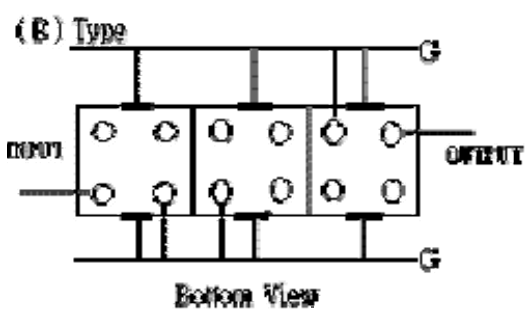
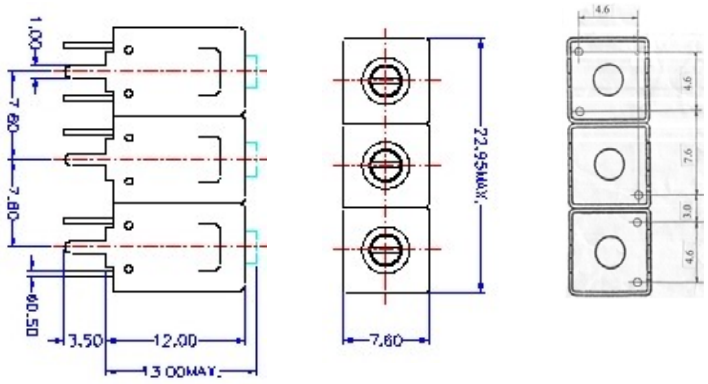


VHF UHF Helical Filter Specification Sheet

Customer Name		Temwell's Part No.	TTL67541B-180M
Approval No. /dated	20209005DC	Acceptable Specify Fo. Range	166~195MHz
Work Instruction No.	20209005DC	Date	Sep. 03, 2002

<p>(1) Pin Position</p> 	<p>(2) Size Diagram</p> 
---	--

(3) Electric Character			
Item	Specify	Performance	
Center Freq.(Fo) +/- 0.5 %	180 MHz	180 MHz	
Tunable Range	180±2 MHz	180±2 MHz	
Insertion Loss	Typ 2.0 dB	0.8 dB	
-1 dB Bandwidth	Typ 39 MHz	40 MHz	
-3 dB Bandwidth	Typ 44 MHz	45 MHz	
Sensitivity (Attenuation)	Fo - 50 MHz	Typ. 26 dBc	29 dBc
	Fo + 50 MHz	Typ. 17 dBc	20 dBc
	Fo - ()MHz	Typ. dBc	dBc
	Fo + ()MHz	Typ. dBc	dBc
Return Loss	Min. 12 dB	17.8 dB	
Ripple	< 1 dB	dB	
Impedance	In / Out : 75 Ω	In / Out : 75 Ω	
(4) Torque for Tuning Screw	>100gf · cm		
(5) Temperature Condition:			
Operating Temperature	0°C ~ +60°C		
Storage Temperature	-20°C ~ +70°C		
(6) Input Power	> 1Watt		

Approval	Supervisor	Designer	Aperture size
C.Y. Chang	C.S. Chang	C.S. Chang	7H3S (4*8.0) 7H00LB6

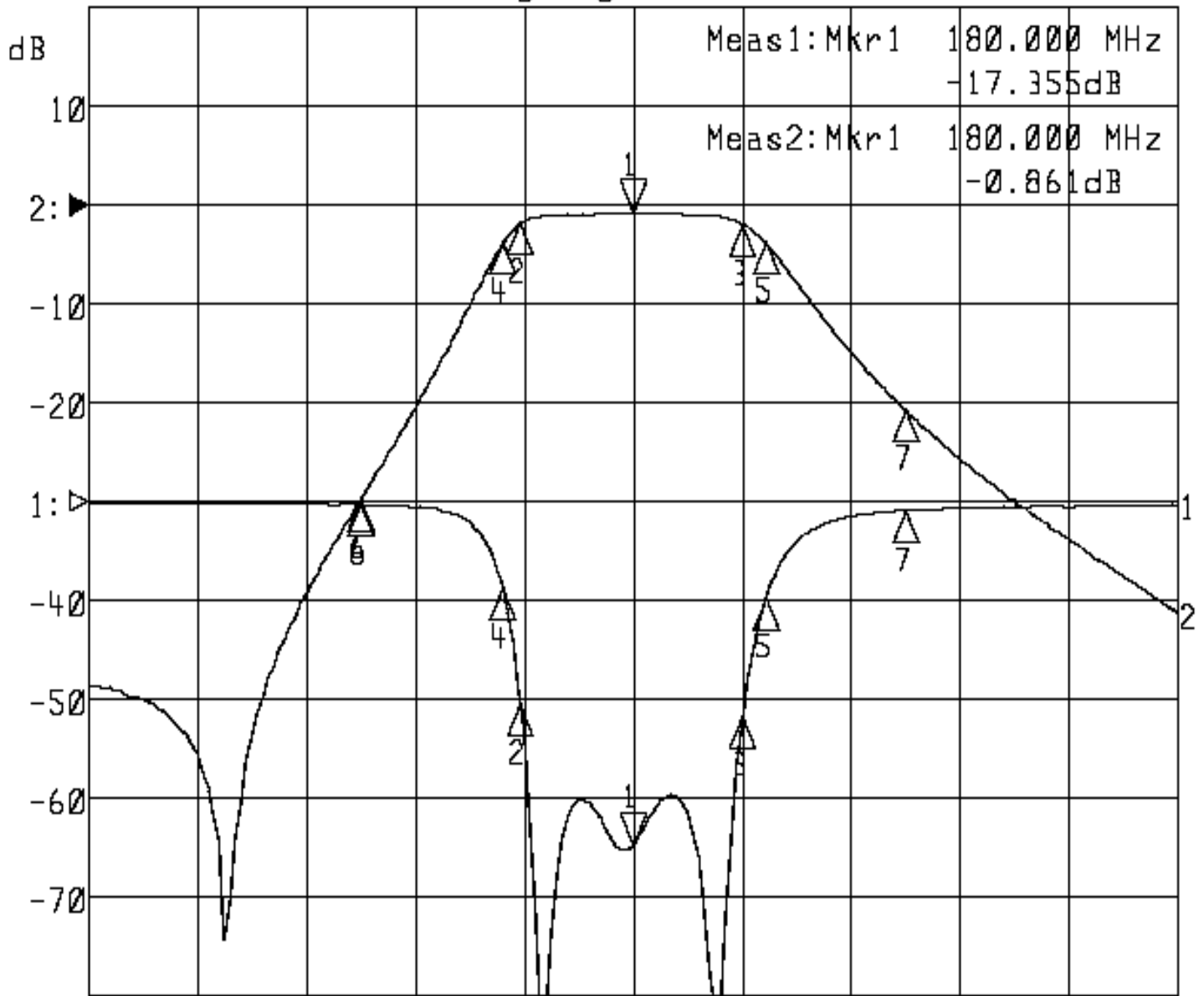
TEMWELL CORPORATION

RF Filter & Duplexer Manufacturer : TTL67541B-180M rvbw 0505

Performance-TTL67541B-180M

20209005DC

►1:S11 Refl Port1 Log Mag 5.0 dB/ Ref 0.00 dB C
►2:S21 Fwd Trans Log Mag 10.0 dB/ Ref 0.00 dB C



Center 180.000 MHz

Span 200.000 MHz

1: Mkr (MHz)	dB	2: Mkr (MHz)	dB
1> 180.0000	-17.355	1> 180.0000	-0.861
2: 159.4000	-10.190	2: 159.4000	-1.850
3: 200.0667	-10.884	3: 200.0667	-1.897
4: 156.1333	-4.419	4: 156.1333	-3.867
5: 204.4000	-4.876	5: 204.4000	-3.858
6: 130.0000	-0.168	6: 130.0000	-29.698
7: 230.0000	-0.472	7: 230.0000	-20.780