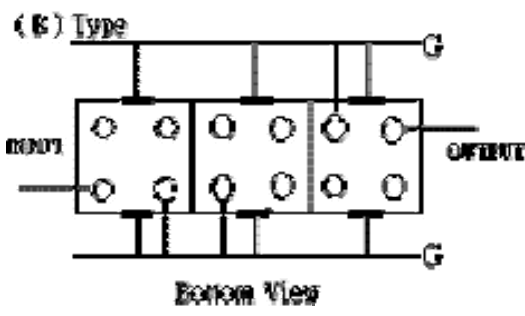
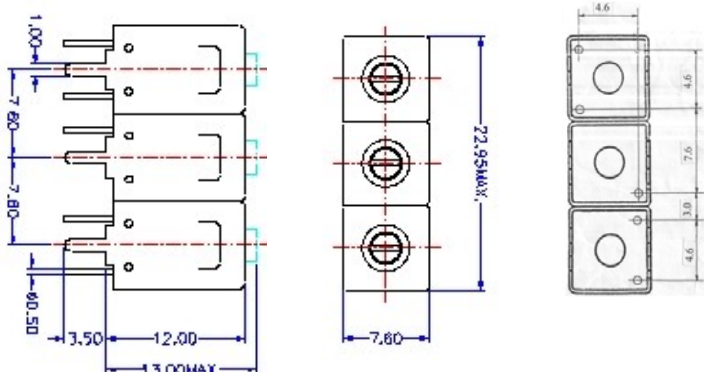


VHF UHF Helical Filter Specification Sheet

Customer Name		Temwell's Part No.	TTL67327B-243.5M
Approval No. /dated	20408043DC	Acceptable Specify Fo. Range	221~245MHz
Work Instruction No.	20408043DC	Date	Aug.16.2004

<p>(1) Pin Position</p> 	<p>(2) Size Diagram</p> 
---	--

(3) Electric Character			
Item	Specify	Performance	
Center Freq.(Fo) +/- 0.5 %	243.5 MHz	243.5	MHz
Tunable Range	243.5±4 MHz	243.5±4	MHz
Insertion Loss	Typ. 4.5 dB	3.7	dB
-3 dB Bandwidth	Typ. 6 MHz	8	MHz
Sensitivity (Attenuation)	Fo - 10 MHz	Typ. 22	dBc
	Fo + 10 MHz	Typ. 22	dBc
	Fo - ()MHz	Typ.	dBc
	Fo +()MHz	Typ.	dBc
Return Loss	Min. 12 dB	31.2	dB
Ripple	< 1 dB		dB
Impedance	In / Out : 75 Ω	In / Out : 75 Ω	
(4) Torque for Tuning Screw	> 100gf • cm		

(5) Temperature Condition:	
Operating Temperature	0°C ~ +60°C
Storage Temperature	-20°C ~ +70°C
(6) Input Power	> 1Watt

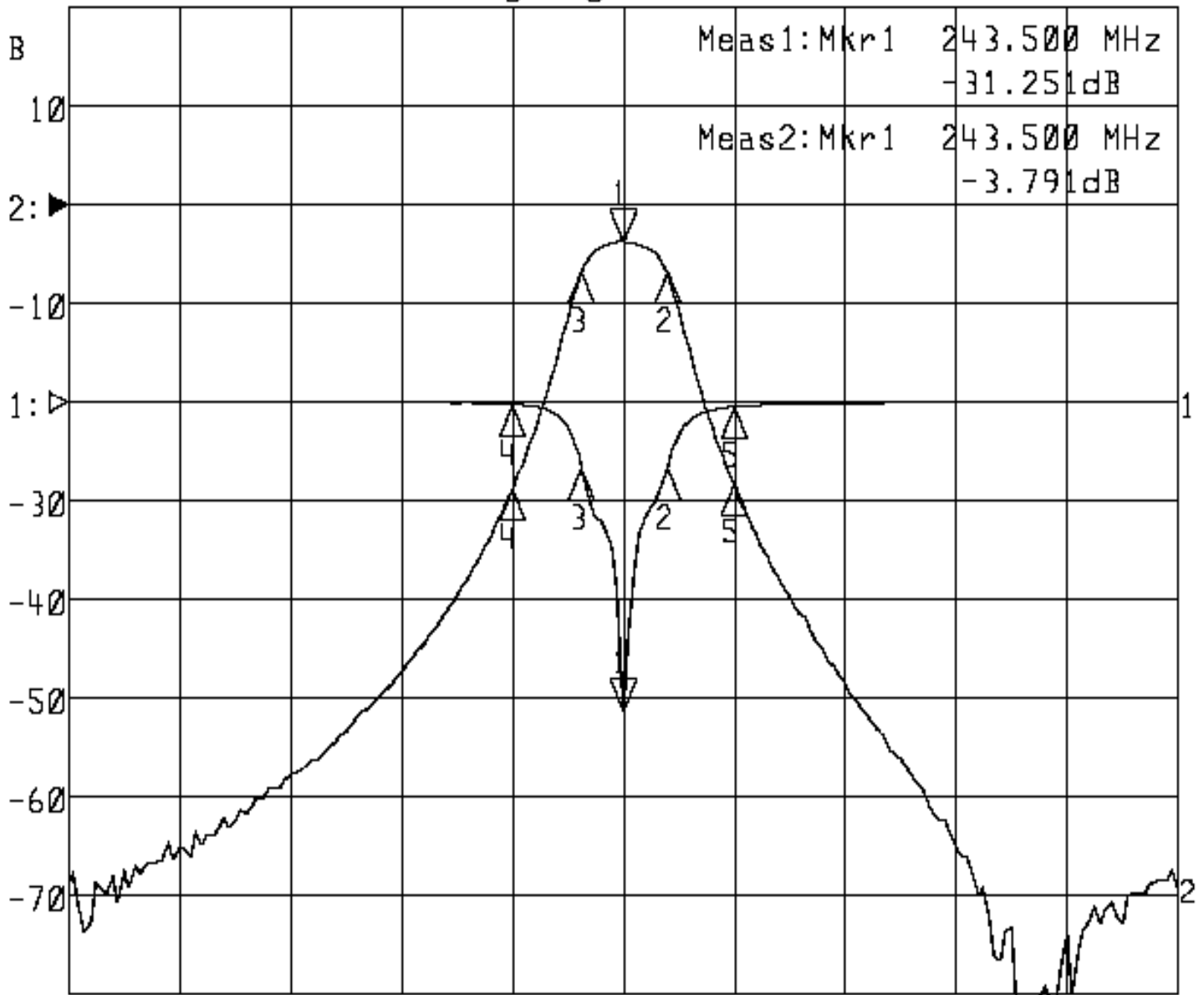
Approval	Supervisor	Designer	Aperture size
C.Y. Chang	C.S. Chang	P.H. Chiang	7H3S(4*4.65)(4.69)F 7H024LB4

TEMWELL CORPORATION

Performance-TTL67327B-243.5M

20408043DC

▶1:S11 Refl Port1 Log Mag 10.0 dB/ Ref 0.00 dB C
▶2:S21 Fwd Trans Log Mag 10.0 dB/ Ref 0.00 dB C



Center 243.500 MHz

Span 100.000 MHz

1: Mkr (MHz)		dB	2: Mkr (MHz)		dB
1>	243.5000	-31.251	1>	243.5000	-3.791
2:	247.4333	-6.749	2:	247.4333	-6.755
3:	239.8000	-6.684	3:	239.8000	-6.728
4:	233.5000	-0.281	4:	233.5000	-28.861
5:	253.5000	-0.517	5:	253.5000	-28.372