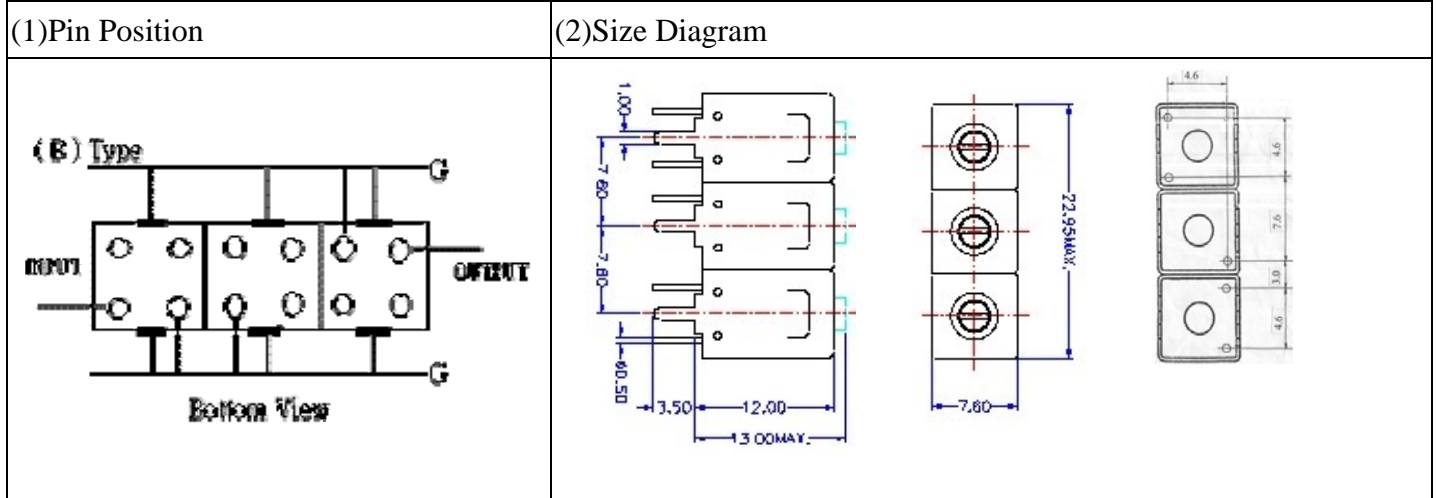


VHF UHF Helical Filter Specification Sheet

Customer Name		Temwell's Part No.	TTL67285B-169M
Approval No. /dated	20206015DB	Acceptable Specify Fo. Range	166~195MHz
Work Instruction No.	20206015DB	Date	June.07.2002



(3) Electric Character			
Item	Specify	Performance	
Center Freq.(Fo) +/- 0.5 %	169 MHz	169	MHz
Tunable Range	169±2 MHz	169±2	MHz
Insertion Loss	Typ. 2.5 dB	1.7	dB
-3 dB Bandwidth	Typ. 10 MHz	11	MHz
Sensitivity (Attenuation)	Fo - 20 MHz	Typ. 33	dBc
	Fo + 20 MHz	Typ. 25	dBc
	Fo - ()MHz	Typ.	dBc
	Fo + ()MHz	Typ.	dBc
Return Loss	Min. 12 dB	27.5	dB
Ripple	< 1 dB		dB
Impedance	In / Out : 75 Ω	In / Out : 75 Ω	
(4) Torque for Tuning Screw	> 100gf · cm		

(5) Temperature Condition:	
Operating Temperature	0°C ~ +60°C
Storage Temperature	-20°C ~ +70°C
(6) Input Power	> 1Watt

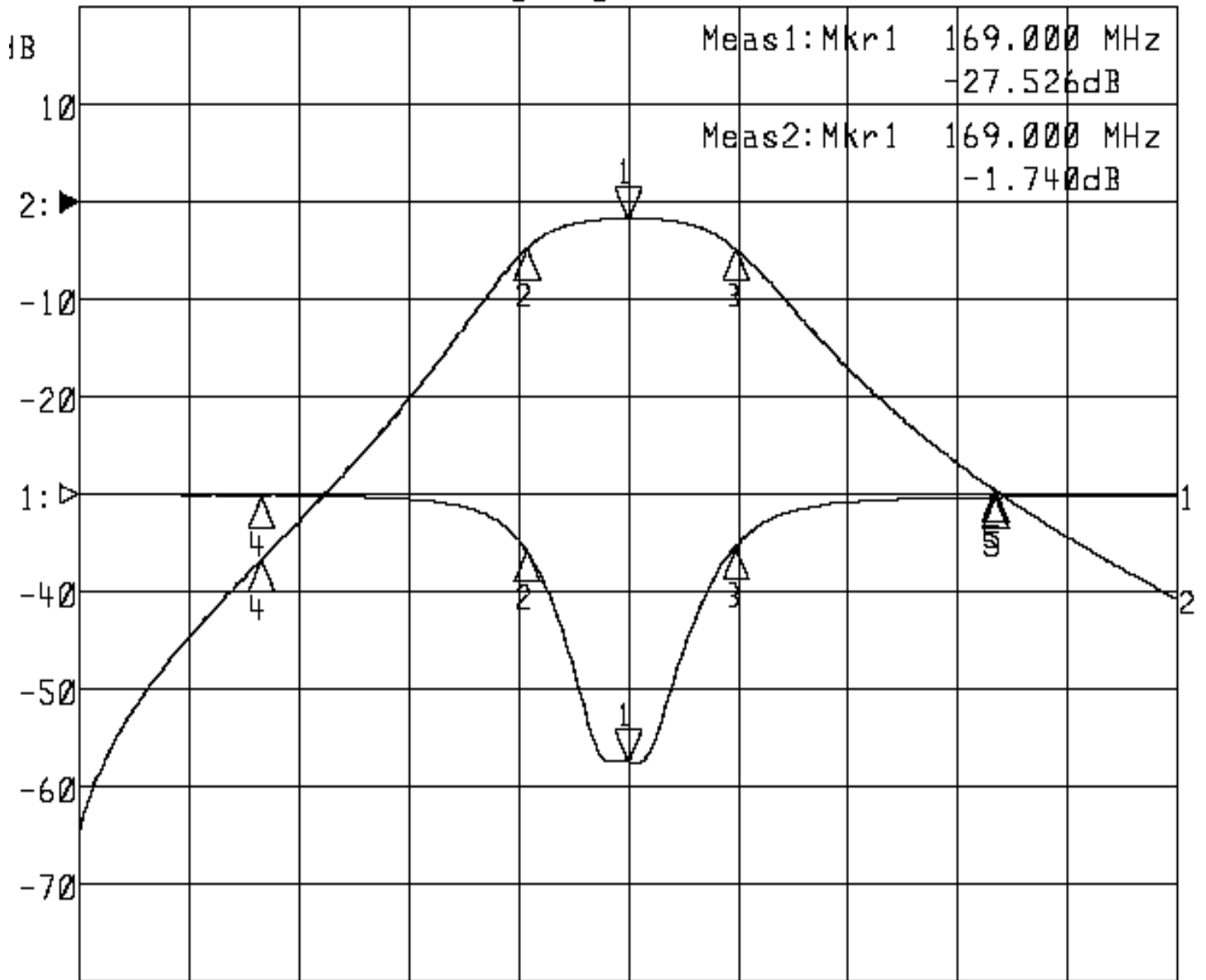
Approval	Supervisor	Designer	Aperture size
C.Y. Chang	C.S. Chang	C.S. Chang	7H3S(4*7.5)F 7H024LB4

TEMWELL CORPORATION

Performance-TTL67285B-169M

20206015DB

►1:S11 Refl Port1 Log Mag 10.0 dB/ Ref 0.00 dB C
►2:S21 Fwd Trans Log Mag 10.0 dB/ Ref 0.00 dB C



Center 169.000 MHz

Span 60.000 MHz

1: Mkr (MHz)	dB	2: Mkr (MHz)	dB
1> 169.0000	-27.526	1> 169.0000	-1.740
2: 163.4600	-5.761	2: 163.4600	-4.796
3: 174.8200	-5.522	3: 174.8200	-4.747
4: 149.0000	-0.162	4: 149.0000	-36.718
5: 189.0000	-0.339	5: 189.0000	-29.516