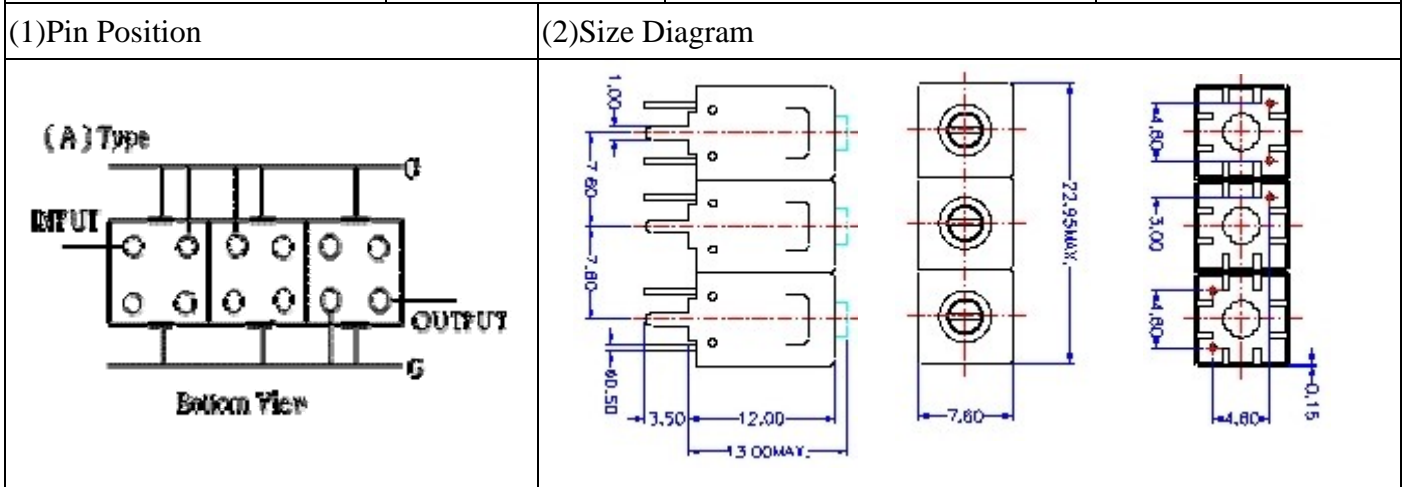


VHF UHF Helical Filter Specification Sheet

Customer Name		Temwell's Part No.	TTL67231A-770M
Approval No. /dated	20212034DC	Acceptable Specify Fo. Range	751~800MHz
Work Instruction No.	20212034DC	Date	20212034DC



(3) Electric Character			
Item	Specify	Performance	
Center Freq.(Fo) +/- 0.5 %	770 MHz	770	MHz
Tunable Range	770±5 MHz	770±5	MHz
Insertion Loss	Typ. 2.5 dB	1.6	dB
-3 dB Bandwidth	Typ. 19 MHz	37	MHz
Sensitivity (Attenuation)	Fo - 50 MHz	Typ. 33	dBc
	Fo + 50 MHz	Typ. 22	dBc
	Fo - ()MHz	Typ.	dBc
	Fo +()MHz	Typ.	dBc
Return Loss	Min. 12 dB	23	dB
Ripple	< 1 dB		dB
Impedance	In / Out : 75 Ω	In / Out : 75 Ω	
(4) Torque for Tuning Screw	> 60gf · cm		

(5) Temperature Condition:	
Operating Temperature	0°C ~ +60°C
Storage Temperature	-20°C ~ +70°C

(6) Input Power	> 1Watt
-----------------	---------

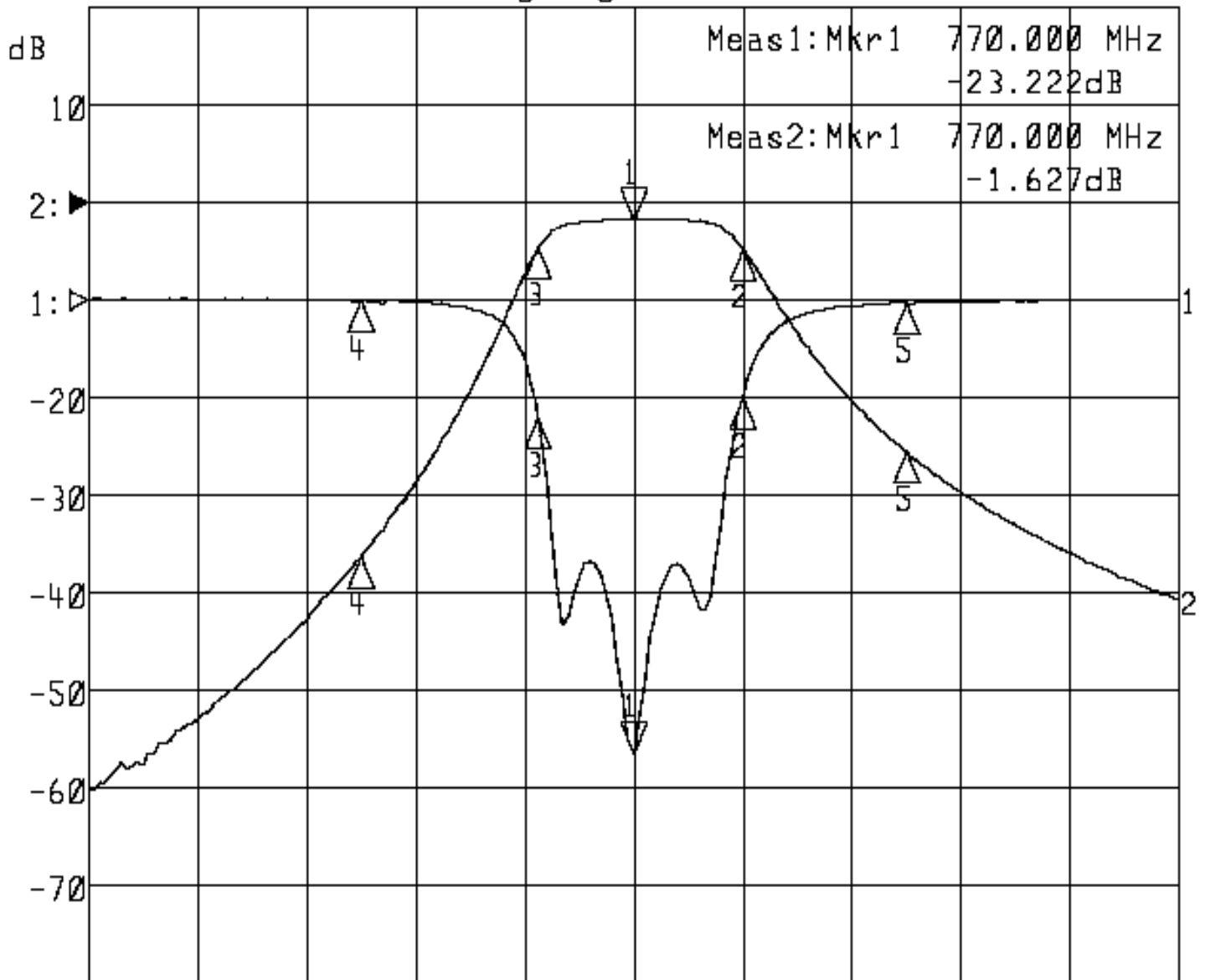
Approval	Supervisor	Designer	Aperture size
C.Y. Chang	C.S. Chang	P.H. Chiang	7H3S(4*6.5)F 7H046LB4 聚 3

TEMWELL CORPORATION

Performance-TTL67231A-770M

20212034DC

►1:S11 Refl Port1 Log Mag 5.0 dB/ Ref 0.00 dB C
►2:S21 Fwd Trans Log Mag 10.0 dB/ Ref 0.00 dB C



Center 770.000 MHz

Span 200.000 MHz

1:Mkr (MHz)	dB	2:Mkr (MHz)	dB
1> 770.0000	-23.222	1> 770.0000	-1.627
2: 789.8667	-4.991	2: 789.8667	-4.636
3: 752.5333	-6.049	3: 752.5333	-4.625
4: 720.0000	-0.008	4: 720.0000	-36.222
5: 820.0000	-0.133	5: 820.0000	-25.527