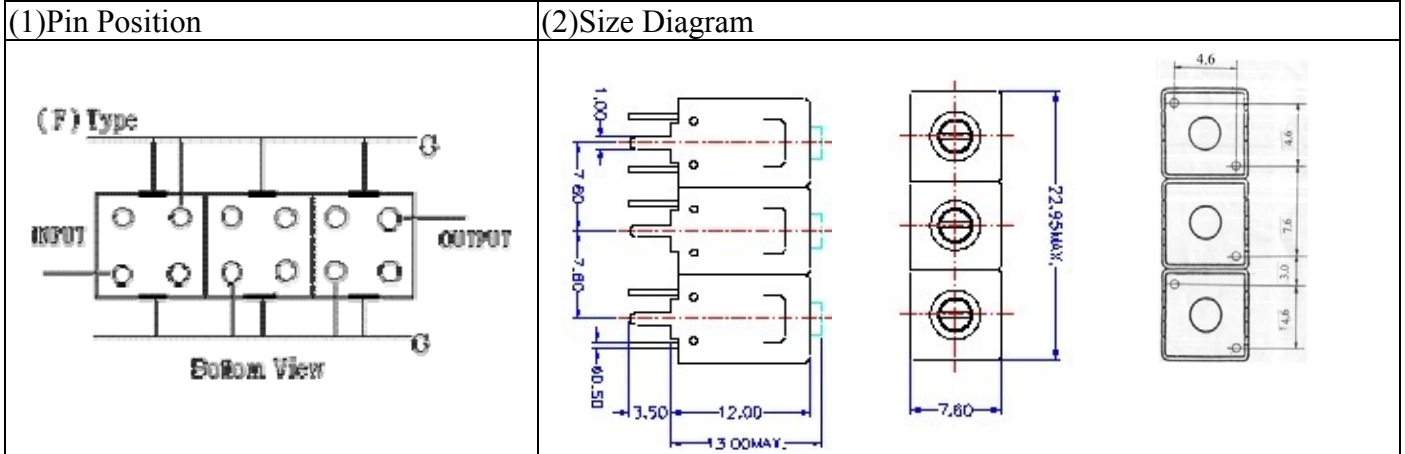


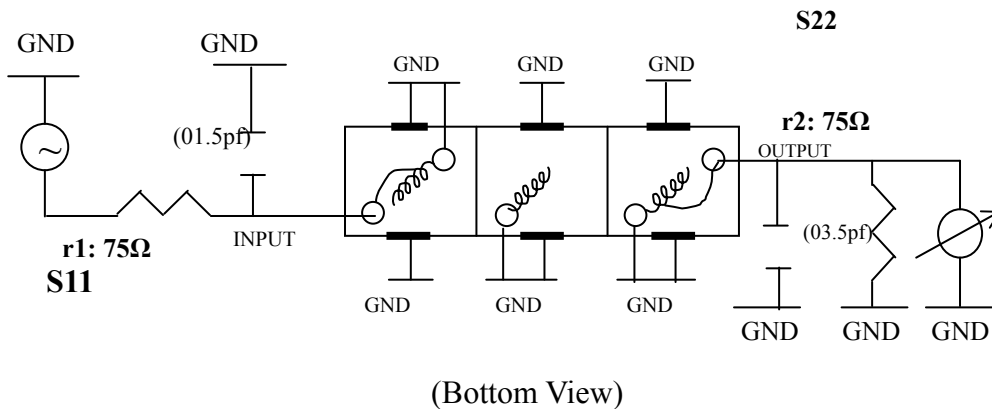
# VHF UHF Helical Filter Specification Sheet

Customer Name		Temwell's Part No.	TTL6714F-159.5M
Approval No. /dated	0701010APR	Acceptable Specify Fo Range	146-165 MHz
Work Instruction No.	0701010B	Date	Jan.09.2007



(3) Electric Characteristic			
Item	Specify	Performance	
Center Freq.(Fo) +/- 0.5 %	159.5 MHz	159.5 MHz	
Tunable Range	159.5±2 MHz	159.5±2 MHz	
Insertion Loss	Typ. 4.5 dB	3.67 dB	
-3 dB Bandwidth	Typ. 6 MHz	7.6 MHz	
Sensitivity (Attenuation)	Fo- 10 MHz	Typ. 22 dB	25 dB
	Fo+ 10 MHz	Typ. 23 dB	26 dB
	Fo - ( )MHz	Typ. dB	dB
	Fo +( )MHz	Typ. dB	dB
Return Loss	Min. 12 dB	19.0 dB	
Ripple	< 1 dB	dB	
Impedance	In / Out : 75 Ω	In / Out : 75 Ω	
(4) Torque for Tuning Screw			
		> 100gf · cm	
(5) Temperature Condition:			
Operating Temperature	0°C ~ +60°C		
Storage Temperature	-20°C ~ +70°C		
(6) Input Power			
		> 1Watt	

(7) Measuring Circuit: ※Easy to match Impedance S11/S22 75Ω by parallel with about( 0pf) / ( 0nH).

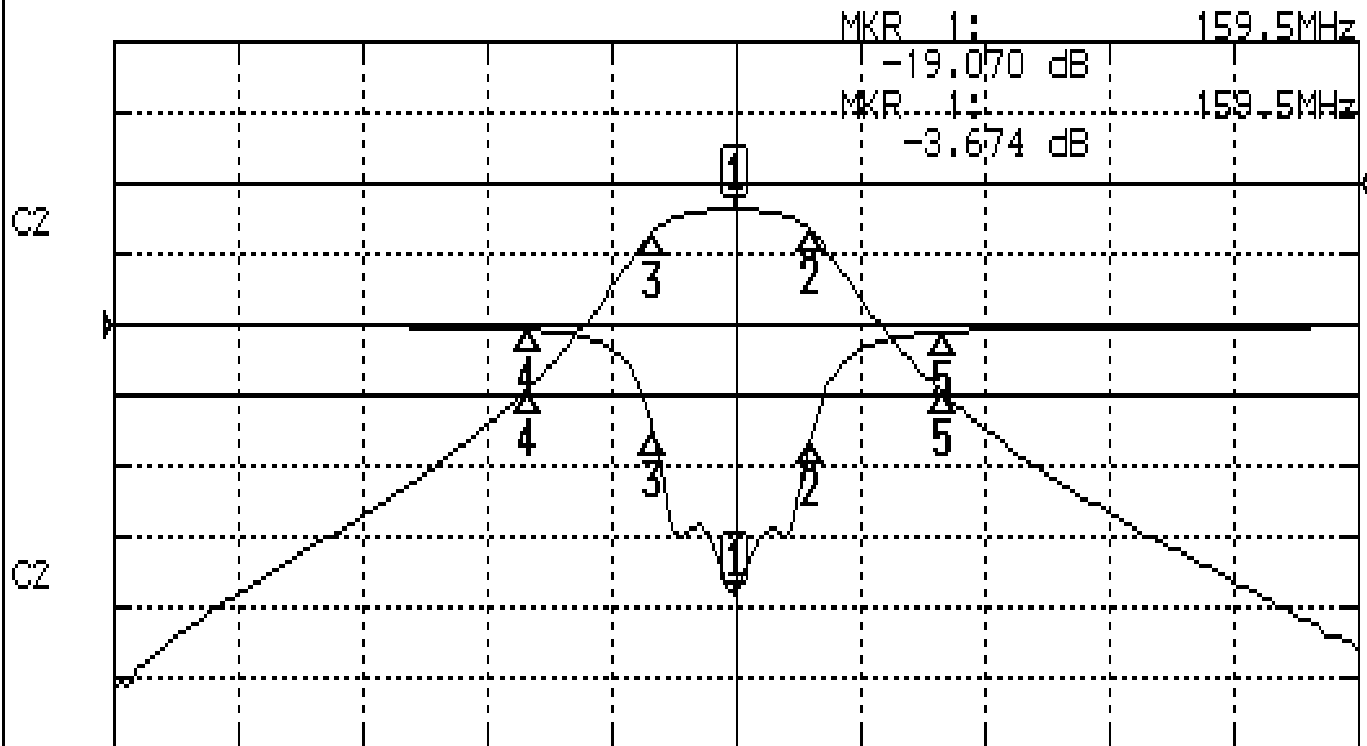


Approval	Supervisor	Designer	Aperture size
C.Y.Chang	C.S.Chang	P.H.Chiang	7H3(4*5.5) 7H00LB4
TEMWELL CORPORATION			

# Performance-TTL6714F-159.5M

## 0701010B

CH1 S11 LOG MAG REF 0.000 dB 5.000 dB/  
CH2 S21 LOG MAG REF 0.000 dB 10.000 dB/



CENTER 159.5MHz

[ 10.00 dBm ]

SPAN 60MHz

### CH1 MARKER LIST

1:	159.500MHz	-19.076	dB
2:	163.150MHz	-3.615	dB
3:	155.550MHz	-7.672	dB
4:	149.500MHz	-0.375	dB
5:	169.500MHz	-0.546	dB

### CH2 MARKER LIST

1:	159.500MHz	-3.674	dB
2:	163.150MHz	-6.652	dB
3:	155.550MHz	-6.709	dB
4:	149.500MHz	-29.961	dB
5:	169.500MHz	-29.626	dB