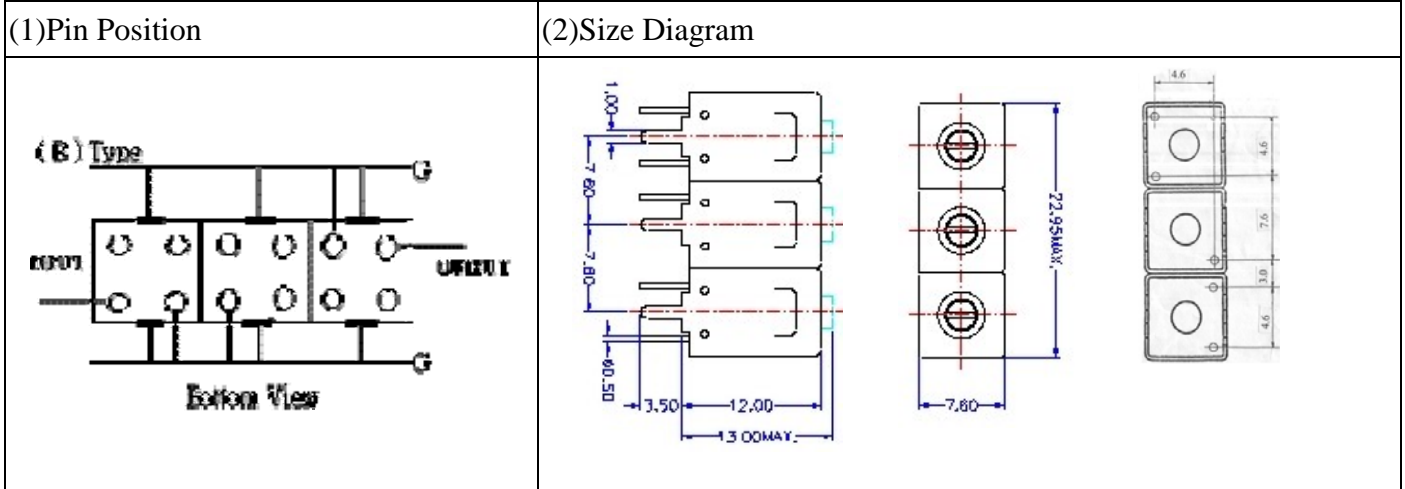


VHF UHF Helical Filter Specification Sheet

Customer Name		Temwell's Part No.	TTL67101B-474M
Approval No. /dated	20210042DB	Acceptable Specify Fo. Range	456~500MHz
Work Instruction No.	20210042DB	Date	Oct.17.2002



(3) Electric Character			
Item	Specify	Performance	
Center Freq.(Fo) +/- 0.5 %	474 MHz	474	MHz
Tunable Range	474±5 MHz	474±5	MHz
Insertion Loss	Typ. 4.5 dB	3.8	dB
-3 dB Bandwidth	Typ. 7 MHz	9	MHz
Sensitivity (Attenuation)	Fo - 50 MHz	Typ. 55	dBc
	Fo + 50 MHz	Typ. 46	dBc
	Fo - ()MHz	Typ.	dBc
	Fo +()MHz	Typ.	dBc
Return Loss	Min. 12 dB	38	dB
Ripple	< 1 dB		dB
Impedance	In / Out : 75 Ω	In / Out : 75 Ω	

(4) Torque for Tuning Screw > 100gf · cm

(5) Temperature Condition:	
Operating Temperature	0°C ~ +60°C
Storage Temperature	-20°C ~ +70°C

(6) Input Power > 1Watt

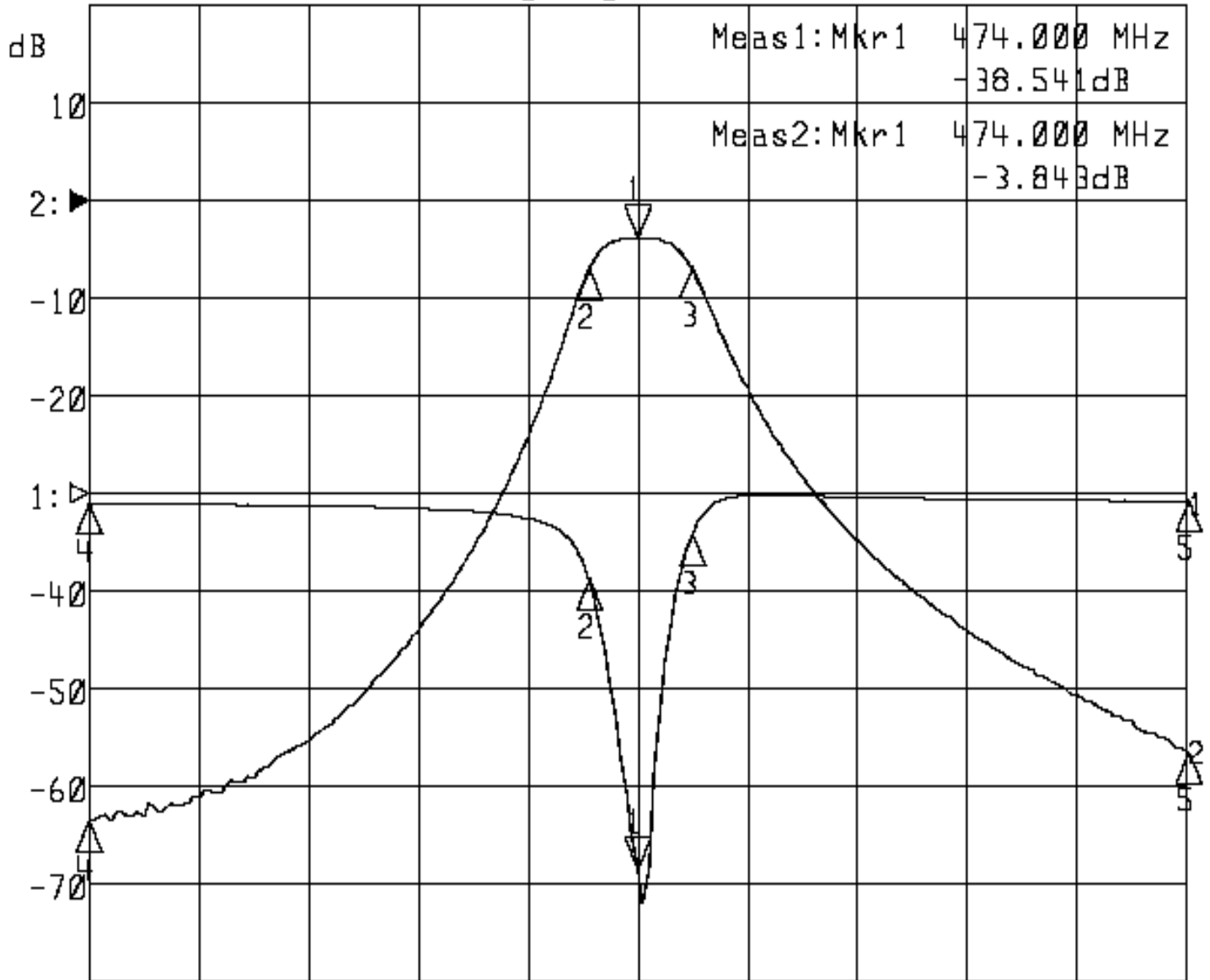
Approval	Supervisor	Designer	Aperture size
C.Y. Chang	C.S. Chang	C.S. Chang	7H3S(4*7.5)F 7H046RB4

TEMWELL CORPORATION

Performance-TTL67101B-474M

20210042DB

▷1:S11 Refl Port1 Log Mag 10.0 dB/ Ref 0.00 dB C
▶2:S21 Fwd Trans Log Mag 10.0 dB/ Ref 0.00 dB C



Center 474.000 MHz

Span 100.000 MHz

1:Mkr (MHz)	dB	2:Mkr (MHz)	dB
1> 474.0000	-38.541	1> 474.0000	-3.843
2: 469.5667	-8.809	2: 469.5667	-6.929
3: 478.9000	-4.336	3: 478.9000	-6.853
4: 424.0000	-1.033	4: 424.0000	-63.580
5: 524.0000	-0.835	5: 524.0000	-56.382