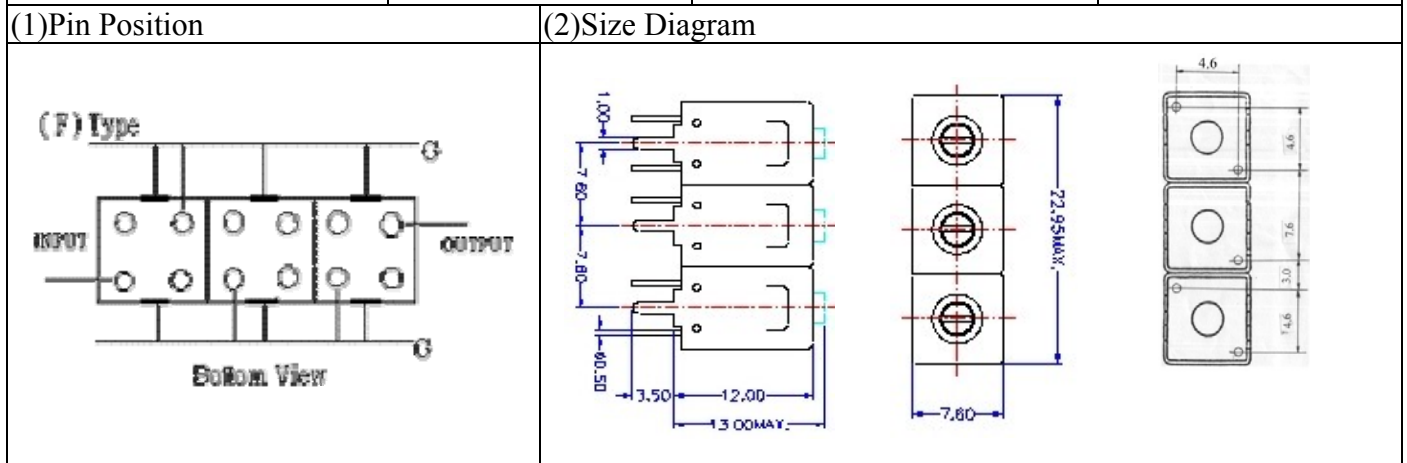


# VHF UHF Helical Filter Specification Sheet

Customer Name		Temwell's Part No.	TTL6387F-885.25M
Approval No. /dated	0611115APR	Acceptable Specify Fo Range	861~900 MHz
Work Instruction No.	0611115DC	Date	Jan.08.2007



### (3) Electric Characteristic

Item	Specify	Performance
Center Freq.(Fo) +/- 0.5 %	885.25 MHz	885.25 MHz
Tunable Range	885.25±10 MHz	885.25±10 MHz
Insertion Loss	Typ. 5.0 dB	3.98 dB
-3 dB Bandwidth	Typ. 8 MHz	12.5 MHz
Sensitivity (Attenuation)	Fo - 20 MHz	Typ. 17 dBc
	Fo + 20 MHz	Typ. 14 dBc
	Fo - ( )MHz	Typ. dBc
	Fo +( )MHz	Typ. dBc
Return Loss	Min. 12 dB	23.2 dB
Ripple	< 1 dB	dB
Impedance	In / Out : 75 Ω	In / Out : 75 Ω

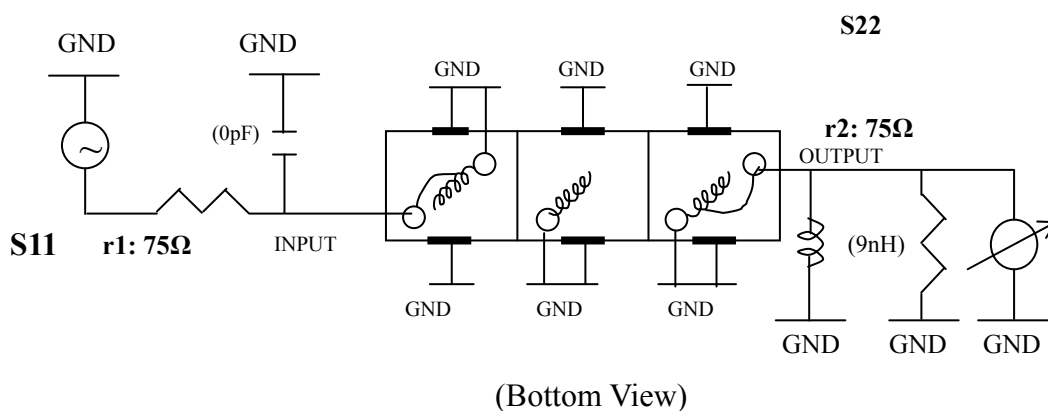
(4) Torque for Tuning Screw > 100gf · cm

(5) Temperature Condition:

Operating Temperature	0°C ~ +60°C
Storage Temperature	-20°C ~ +70°C

(6) Input Power > 1Watt

(7) Measuring Circuit: ※Easy to match Impedance S11/S22 75Ω by parallel with about(0pF)/(6nH).



Approval	Supervisor	Designer	Aperture size
C.Y.Chang	C.S.Chang	P.H.Chiang	7H3(4*4.65)F 左 7H046LB4/中 7H046RB4

TEMWELL CORPORATION

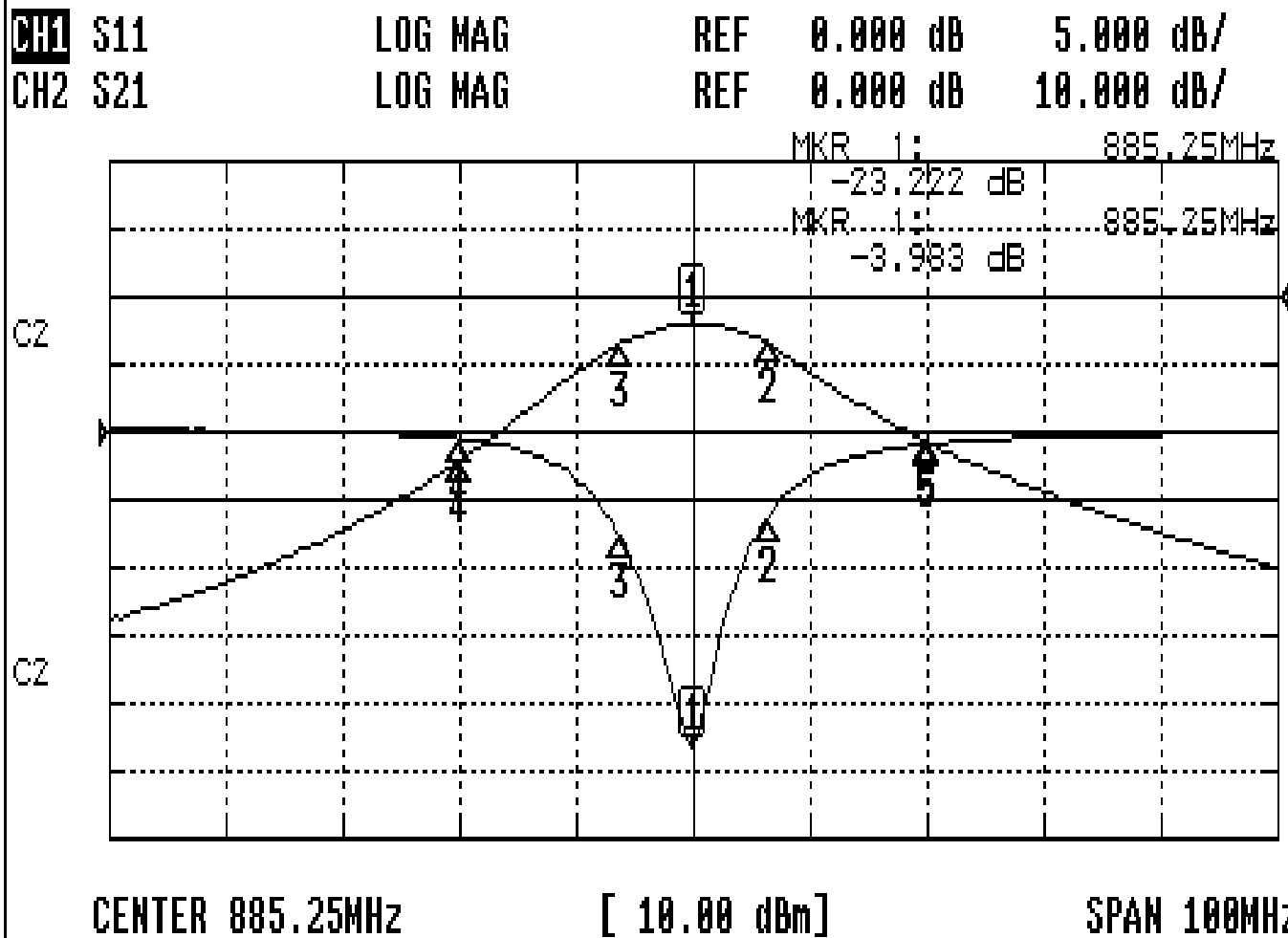
TEMWELL

Form10-7H3F Vision D

RP (p.h)

# Performance-TTL6387F-885.25M

## 061115DC



### CH1 MARKER LIST

1	885.250MHz	-23.222	dB
2	891.583MHz	-6.312	dB
3	79.000MHz	-7.641	dB
4	865.250MHz	-0.479	dB
5	905.250MHz	-0.865	dB

### CH2 MARKER LIST

1	885.250MHz	-3.985	dB
2	891.583MHz	-6.910	dB
3	79.000MHz	-6.920	dB
4	865.250MHz	-24.132	dB
5	905.250MHz	-21.469	dB