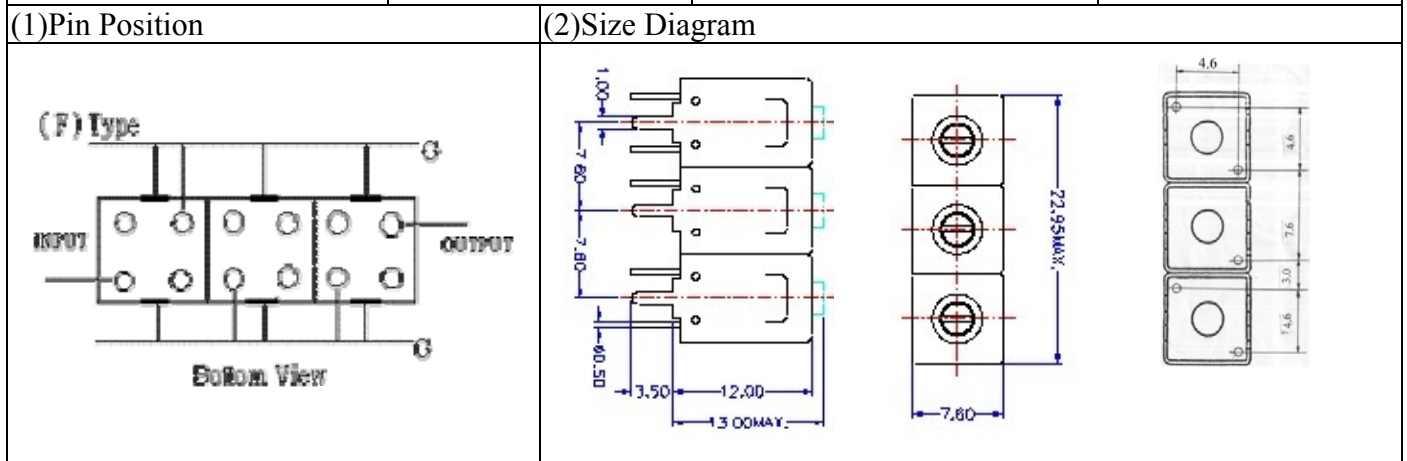


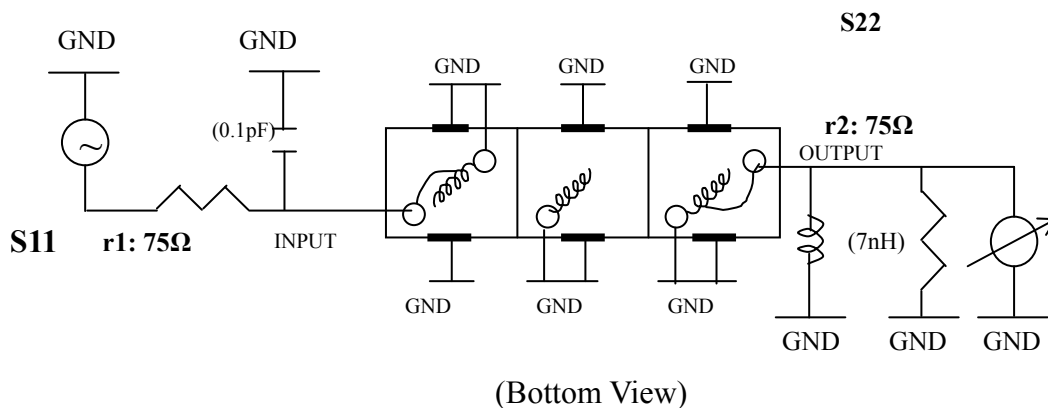
# VHF UHF Helical Filter Specification Sheet

Customer Name		Temwell's Part No.	TTL6385F-873.25M
Approval No. /dated	0611113APR	Acceptable Specify Fo Range	861~900 MHz
Work Instruction No.	0611113DC	Date	Dec.11.2006



(3) Electric Character			
Item		Specify	Performance
Center Freq.(Fo) +/- 0.5 %		873.25 MHz	873.25 MHz
Tunable Range		873.25±10 MHz	873.25±10 MHz
Insertion Loss		Typ. 6.0 dB	5.23 dB
-3 dB Bandwidth		Typ. 7 MHz	12.3 MHz
Sensitivity (Attenuation)	Fo - 20 MHz	Typ. 20 dBc	23 dBc
	Fo + 20 MHz	Typ. 14 dBc	17 dBc
	Fo - ( )MHz	Typ. dBc	dBc
	Fo + ( )MHz	Typ. dBc	dBc
Return Loss		Min. 12 dB	19.1 dB
Ripple		< 1 dB	dB
Impedance		In / Out : 75 Ω	In / Out : 75 Ω
(4) Torque for Tuning Screw		> 100gf · cm	
(5) Temperature Condition:			
Operating Temperature		0°C ~ +60°C	
Storage Temperature		-20°C ~ +70°C	
(6) Input Power		> 1Watt	

(7) Measuring Circuit: ※Easy to match Impedance S11/S22 75Ω by parallel with about(0.1pF)/(7nH).



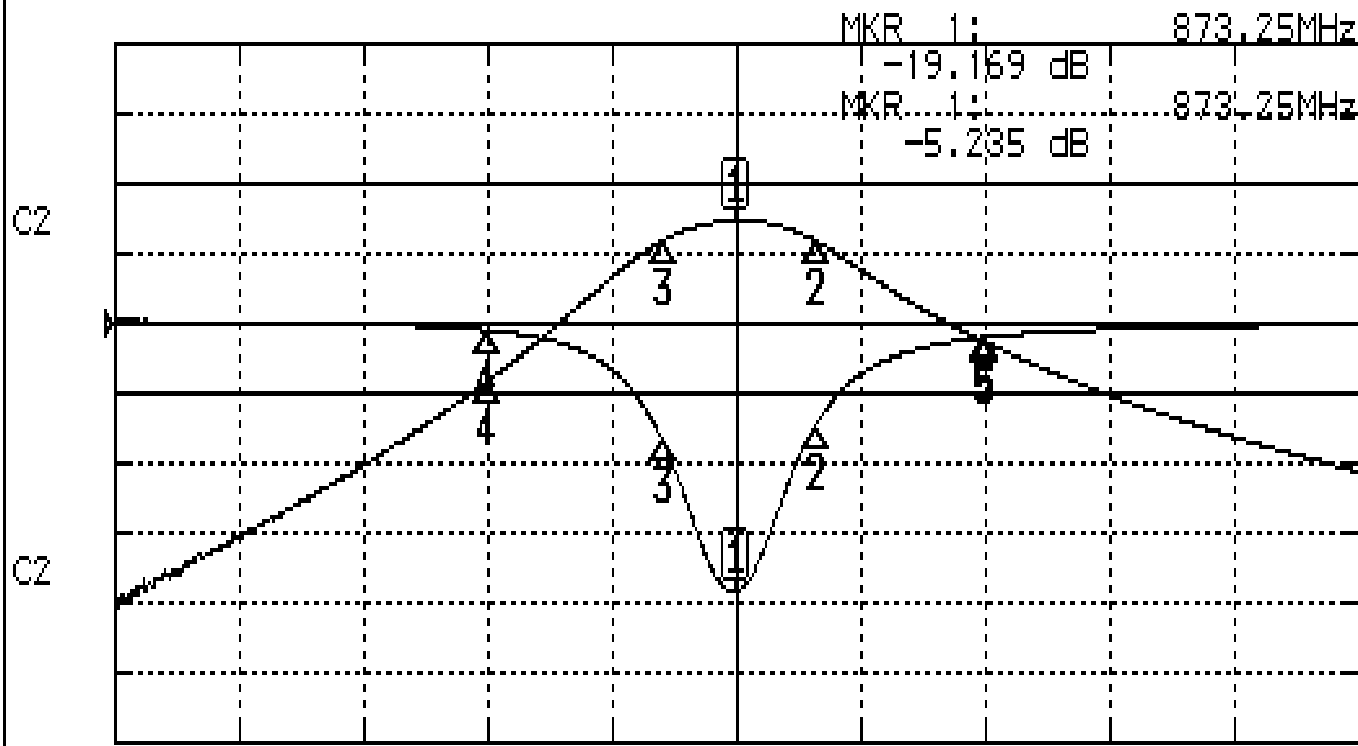
Approval	Supervisor	Designer	Aperture size
C.Y.Chang	C.S.Chang	P.H.Chiang	7H3(4*4.65)F 左 7H046LB4/中 7H046RB4

TEMWELL CORPORATION

# Performance-TTL6385F-873.25M

## 061113DC

**CH1** S11                      LOG MAG                      REF 0.000 dB                      5.000 dB/  
**CH2** S21                      LOG MAG                      REF 0.000 dB                      10.000 dB/



CENTER 873.25MHz

[ 10.00 dBm ]

SPAN 100MHz

CH1 MARKER LIST

1:	873.250MHz	-19.169	dB
2:	879.666MHz	-7.275	dB
3:	867.333MHz	-8.352	dB
4:	853.250MHz	-0.490	dB
5:	893.250MHz	-0.992	dB

CH2 MARKER LIST

1:	873.250MHz	-5.235	dB
2:	879.666MHz	-8.226	dB
3:	867.333MHz	-8.182	dB
4:	853.250MHz	-28.324	dB
5:	893.250MHz	-22.642	dB