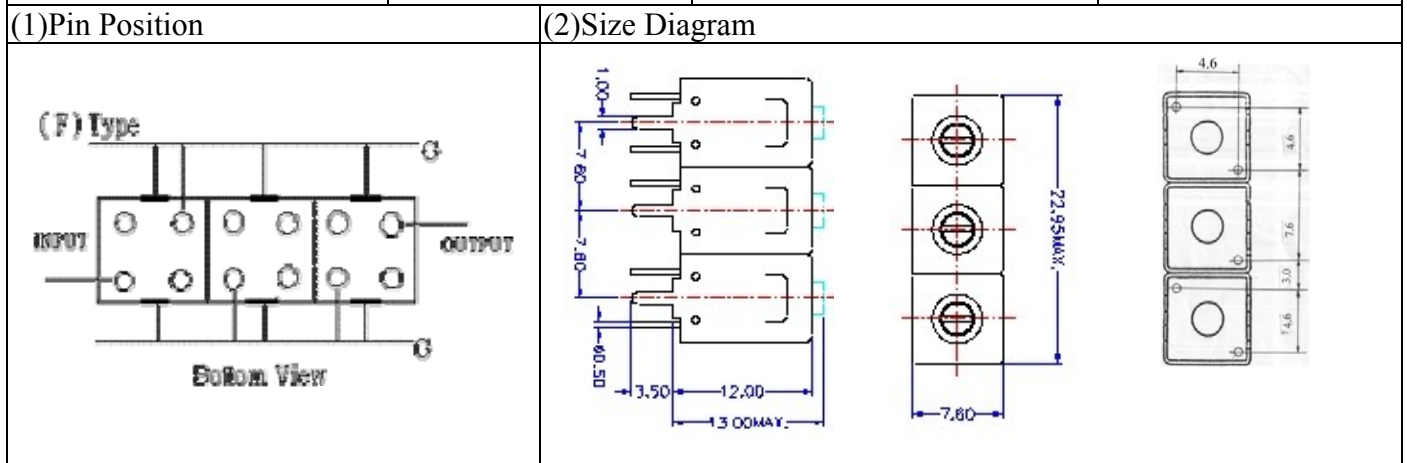


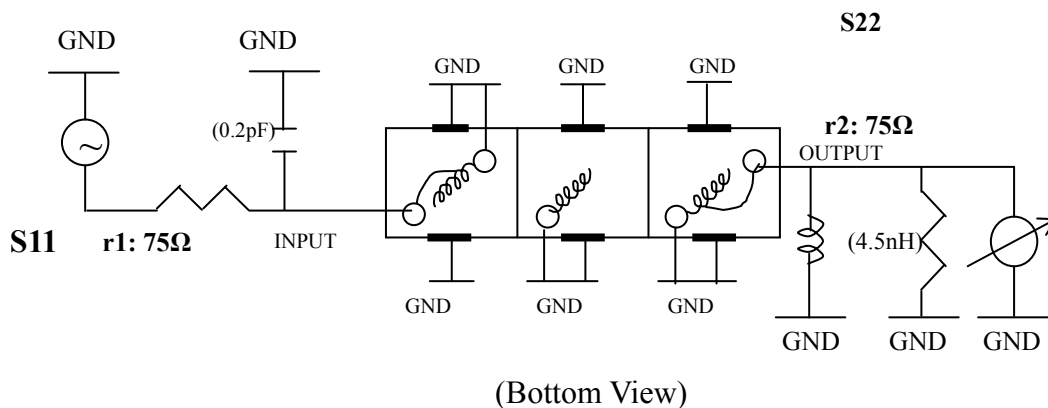
# VHF UHF Helical Filter Specification Sheet

Customer Name		Temwell's Part No.	TTL6384F-867.25M
Approval No. /dated	0611112APR	Acceptable Specify Fo Range	861~900 MHz
Work Instruction No.	0611112DC	Date	Dec.11.2006



(3) Electric Character		Item	Specify	Performance
Center Freq.(Fo) +/- 0.5 %			867.25 MHz	867.25 MHz
Tunable Range			867.25±10 MHz	867.25±10 MHz
Insertion Loss		Typ.	5.5 dB	4.52 dB
-3 dB Bandwidth		Typ.	7 MHz	11.5 MHz
Sensitivity (Attenuation)	Fo - 20 MHz	Typ.	21 dBc	24 dBc
	Fo + 20 MHz	Typ.	15 dBc	18 dBc
	Fo - ( )MHz	Typ.	dBc	dBc
	Fo + ( )MHz	Typ.	dBc	dBc
Return Loss		Min.	12 dB	17.9 dB
Ripple			< 1 dB	dB
Impedance			In / Out : 75 Ω	In / Out : 75 Ω
(4) Torque for Tuning Screw			> 100gf · cm	
(5) Temperature Condition:				
Operating Temperature			0°C ~ +60°C	
Storage Temperature			-20°C ~ +70°C	
(6) Input Power			> 1Watt	

(7) Measuring Circuit: ※Easy to match Impedance S11/S22 75Ω by parallel with about(0.2pF)/(4.5nH).

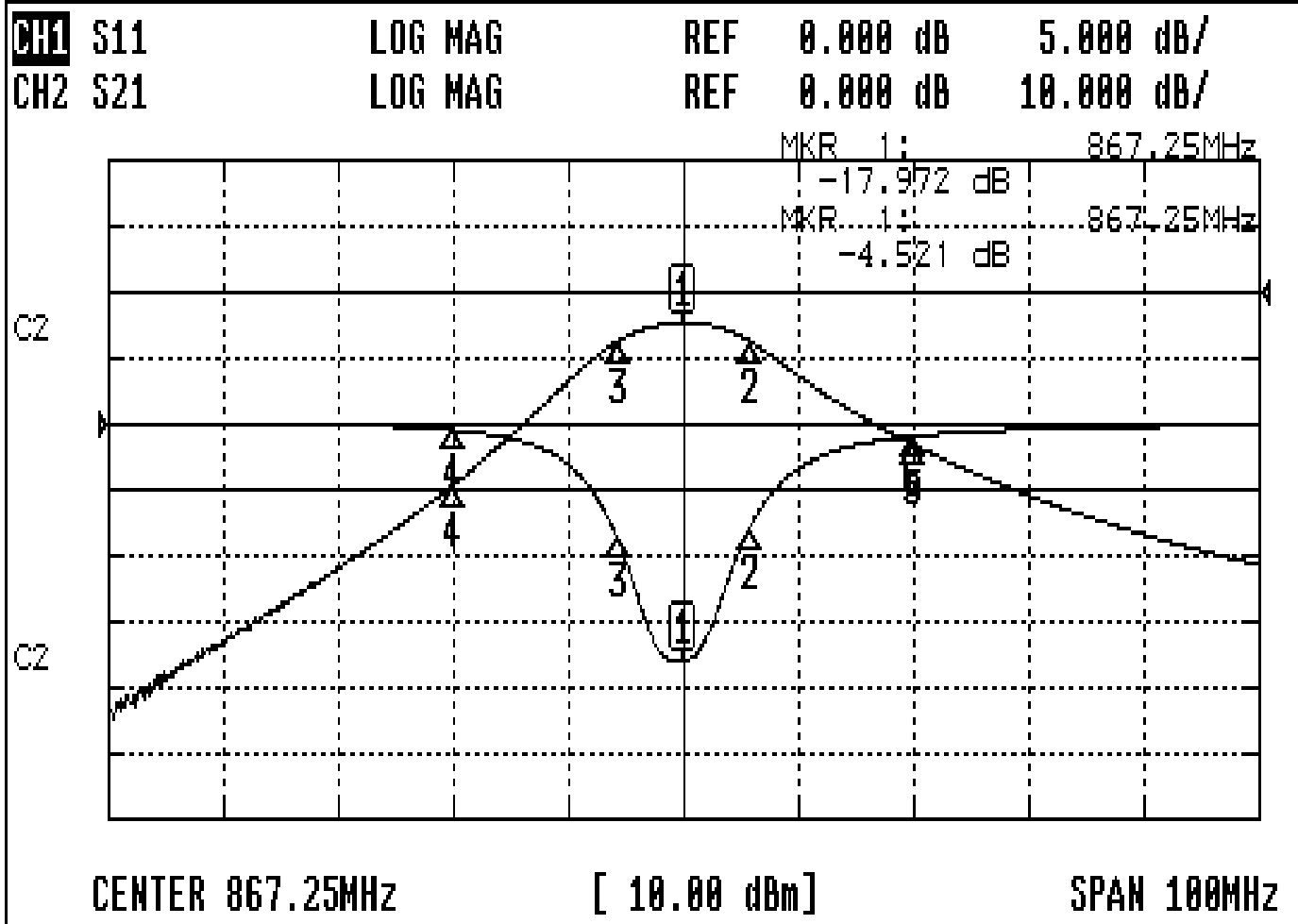


Approval	Supervisor	Designer	Aperture size
C.Y.Chang	C.S.Chang	P.H.Chiang	7H3(4*4.5)F 左 7H046LB4/中 7H046RB4

TEMWELL CORPORATION

# Performance-TTL6384F-867.25M

## 061112DC



### CH1 MARKER LIST

1	867.250MHz	-17.972	dB
2	873.083MHz	-7.875	dB
3	861.500MHz	-8.529	dB
4	847.250MHz	-0.426	dB
5	887.250MHz	-0.910	dB

### CH2 MARKER LIST

1	867.250MHz	-4.521	dB
2	873.083MHz	-7.476	dB
3	861.500MHz	-7.556	dB
4	847.250MHz	-29.322	dB
5	887.250MHz	-23.066	dB