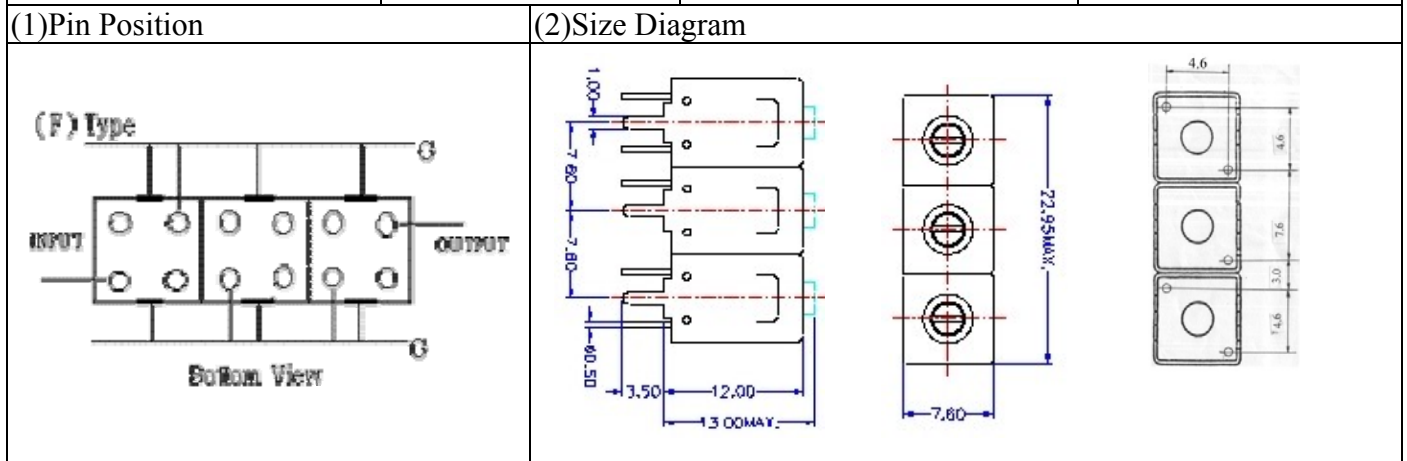


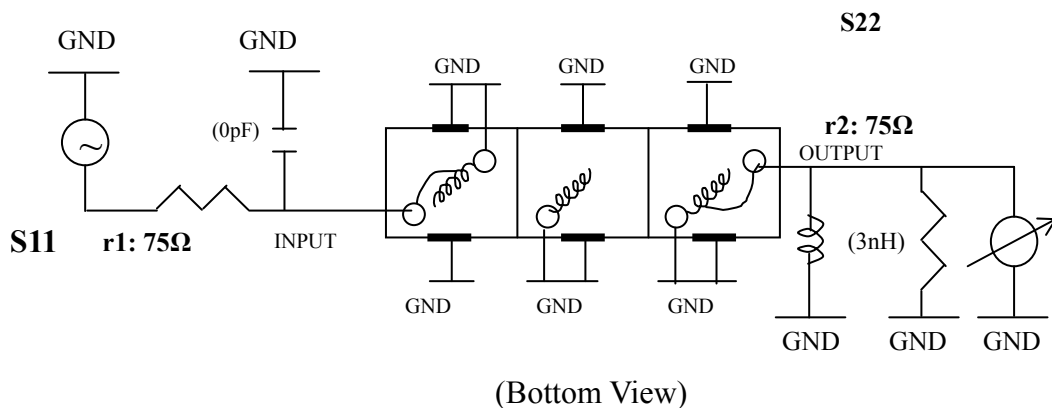
# VHF UHF Helical Filter Specification Sheet

Customer Name		Temwell's Part No.	TTL6381F-849.25M
Approval No. /dated	0611109APR	Acceptable Specify Fo Range	831~860 MHz
Work Instruction No.	0611109DC	Date	Dec.11.2006



(3) Electric Character		Item	Specify	Performance
		Center Freq.(Fo) +/- 0.5 %	849.25 MHz	849.25 MHz
		Tunable Range	849.25±10 MHz	849.25±15 MHz
		Insertion Loss	Typ. 6.0 dB	3.87 dB
		-3 dB Bandwidth	Typ. 7 MHz	11.7 MHz
Sensitivity (Attenuation)	Fo - 20 MHz	Typ. 21 dBc		24 dBc
	Fo + 20 MHz	Typ. 16 dBc		19 dBc
	Fo - ( )MHz	Typ. dBc		dBc
	Fo + ( )MHz	Typ. dBc		dBc
		Return Loss	Min. 12 dB	20.7 dB
		Ripple	< 1 dB	dB
		Impedance	In / Out : 75 Ω	In / Out : 75 Ω
(4) Torque for Tuning Screw			> 100gf · cm	
(5) Temperature Condition:		Operating Temperature	0°C ~ +60°C	
		Storage Temperature	-20°C ~ +70°C	
(6) Input Power			> 1Watt	

(7) Measuring Circuit: ※Easy to match Impedance S11/S22 75Ω by parallel with about(0pF)/(3nH).

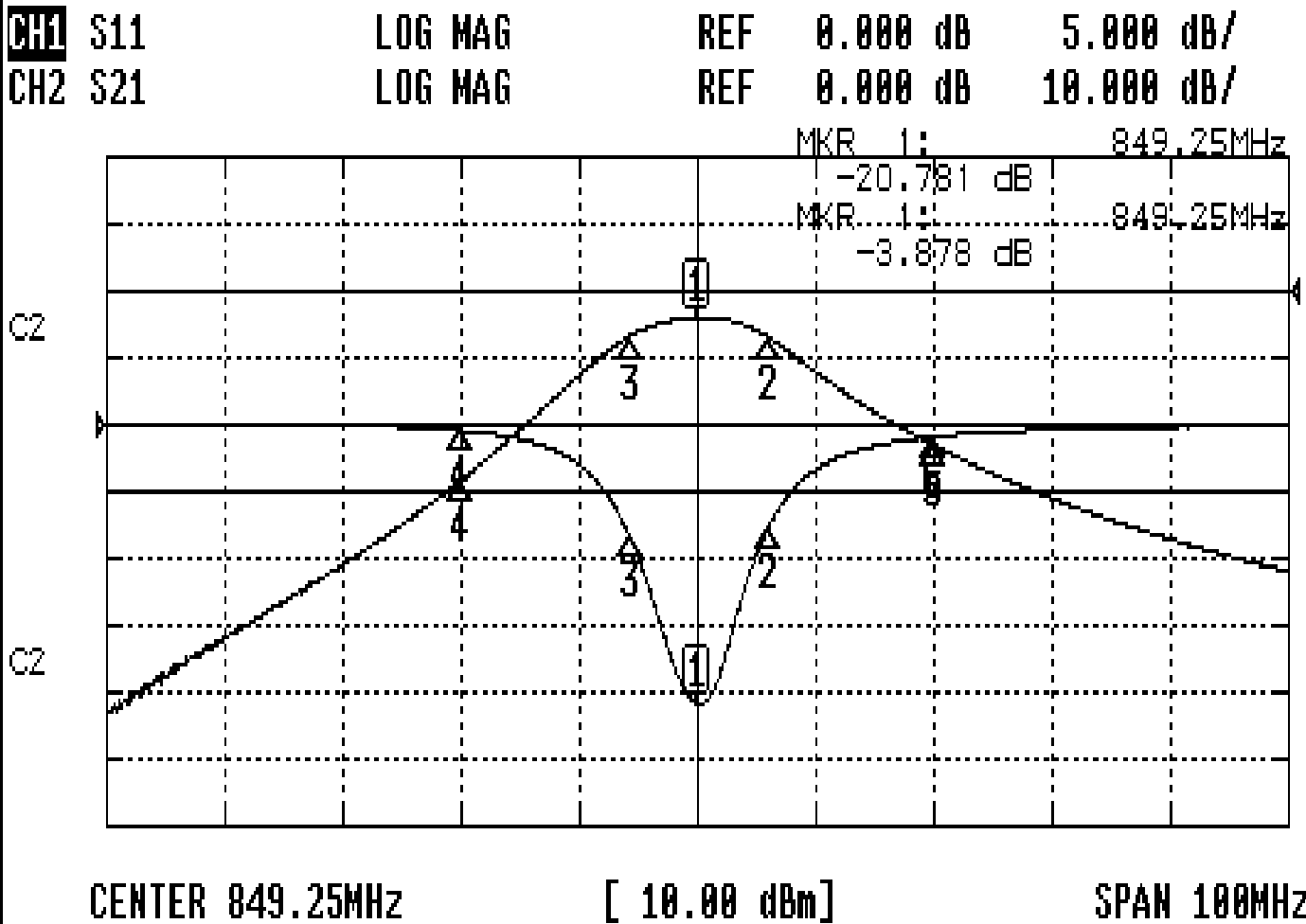


Approval	Supervisor	Designer	Aperture size
C.Y.Chang	C.S.Chang	P.H.Chiang	7H3(4*4.65)F 左 7H046LB4/中 7H046RB4

TEMWELL CORPORATION

# Performance-TTL6381F-849.25M

## 0611109DC



### CH1 MARKER LIST

Marker	Frequency (MHz)	Magnitude (dB)
1	849.250	-20.781
2	855.250	-7.793
3	843.500	-8.150
4	829.250	-0.416
5	869.250	-0.888

### CH2 MARKER LIST

Marker	Frequency (MHz)	Magnitude (dB)
1	849.250	-3.878
2	855.250	-6.837
3	843.500	-6.834
4	829.250	-22.382
5	869.250	-22.973