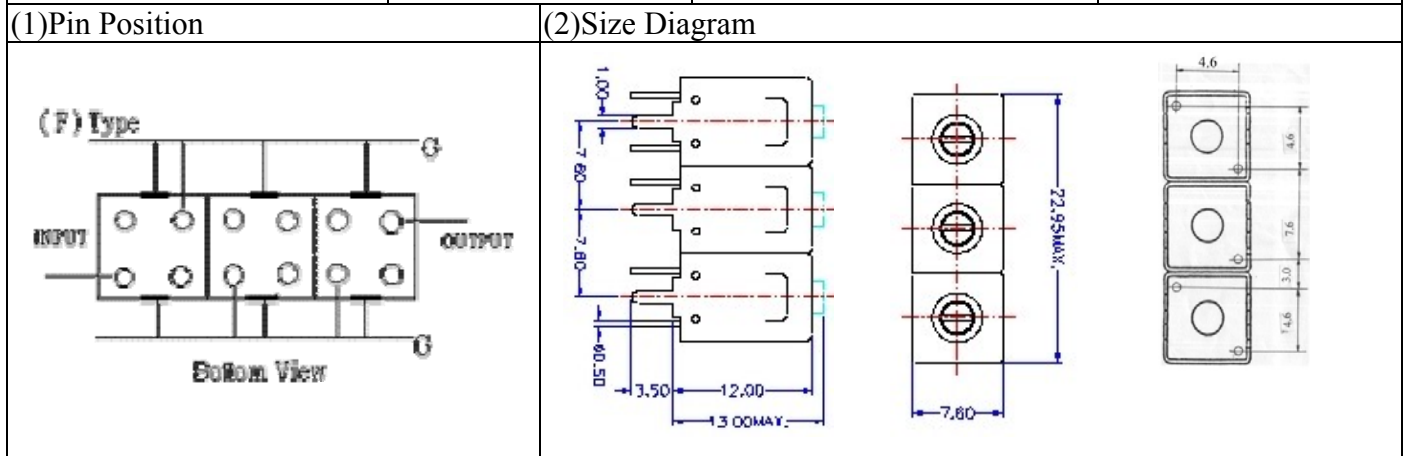


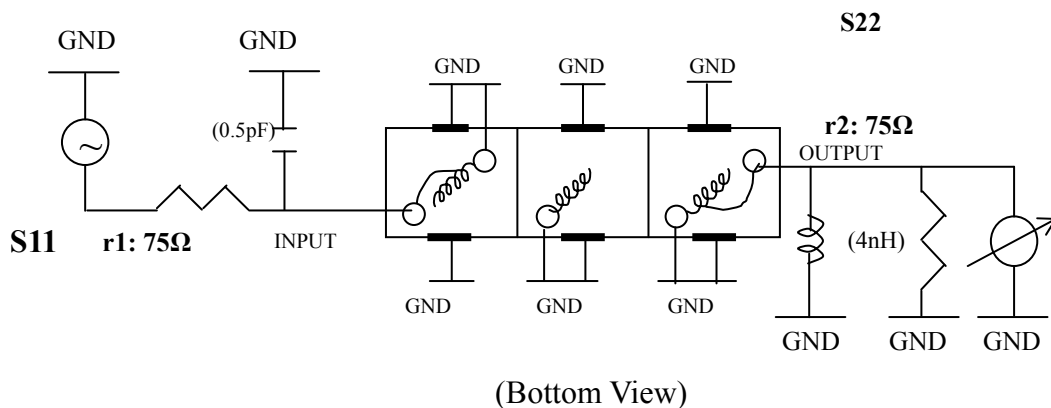
VHF UHF Helical Filter Specification Sheet

Customer Name		Temwell's Part No.	TTL6379F-837.25M
Approval No. /dated	0611107APR	Acceptable Specify Fo Range	831~860 MHz
Work Instruction No.	0611107DC	Date	Dec.08.2006



(3) Electric Character			
Item	Specify	Performance	
Center Freq.(Fo) +/- 0.5 %	837.25 MHz	837.25 MHz	
Tunable Range	837.25±10 MHz	837.25±10 MHz	
Insertion Loss	Typ. 5.0 dB	4.27 dB	
-3 dB Bandwidth	Typ. 8 MHz	12.7 MHz	
Sensitivity (Attenuation)	Fo - 20 MHz	Typ. 22 dBc	25 dBc
	Fo + 20 MHz	Typ. 16 dBc	19 dBc
	Fo - ()MHz	Typ. dBc	dBc
	Fo +()MHz	Typ. dBc	dBc
Return Loss	Min. 12 dB	15.7 dB	
Ripple	< 1 dB	dB	
Impedance	In / Out : 75 Ω	In / Out : 75 Ω	
(4) Torque for Tuning Screw			
> 100gf • cm			
(5) Temperature Condition:			
Operating Temperature	0°C ~ +60°C		
Storage Temperature	-20°C ~ +70°C		
(6) Input Power			
> 1Watt			

(7) Measuring Circuit: ※Easy to match Impedance S11/S22 75Ω by parallel with about(0.5pF)/(4nH).

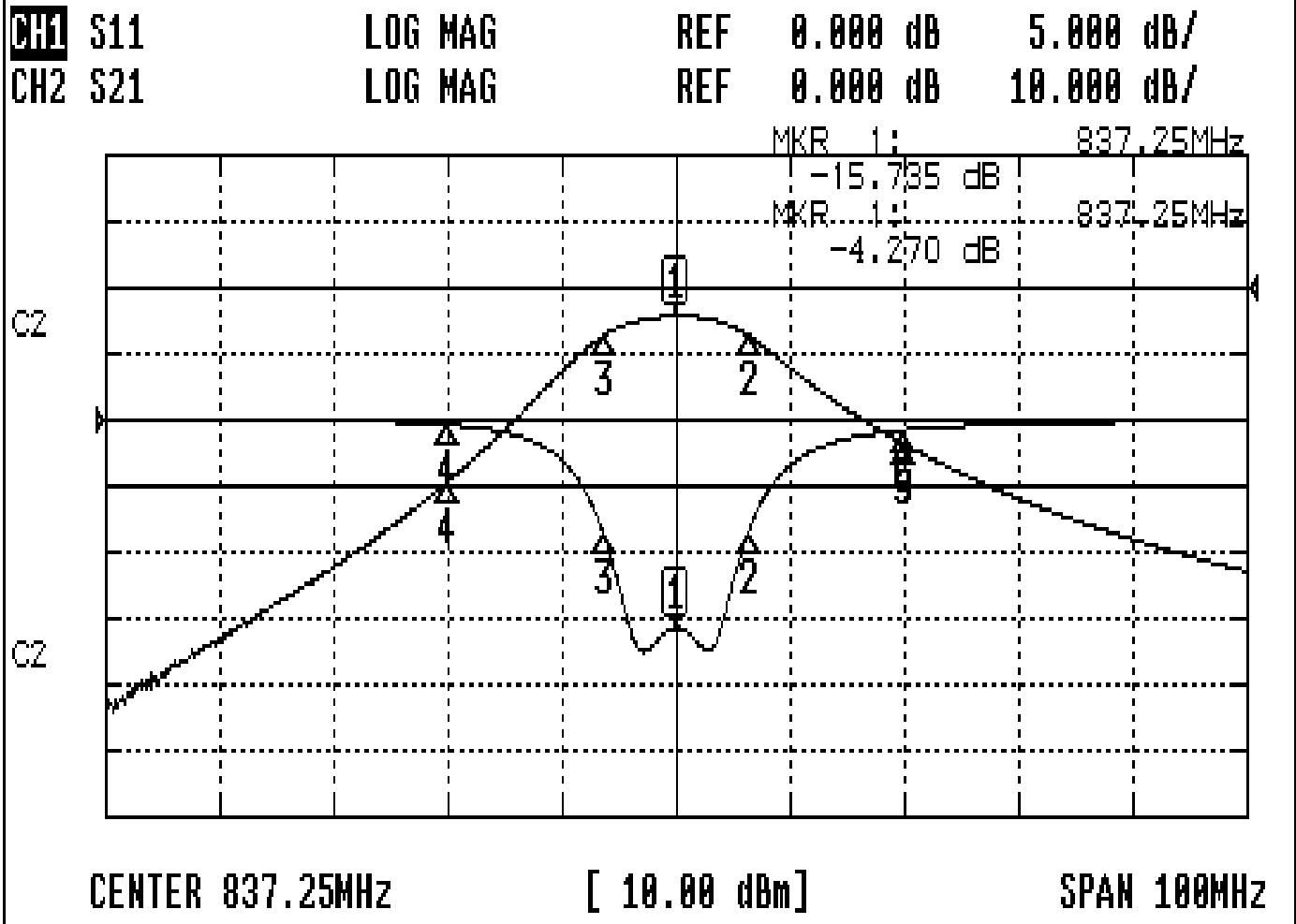


Approval	Supervisor	Designer	Aperture size
C.Y.Chang	C.S.Chang	P.H.Chiang	7H3(4*4.65)F 左 7H046LB4 聚 3/中 7H046RB4

TEMWELL CORPORATION

Performance-TTL6379F-837.25M

0611107DC



CH1 MARKER LIST

Marker	Frequency (MHz)	Magnitude (dB)
1	837.250	-15.735
2	843.666	-10.000
3	830.916	-10.000
4	817.250	-10.000
5	857.250	-10.000

CH2 MARKER LIST

Marker	Frequency (MHz)	Magnitude (dB)
1	837.250	-4.270
2	843.666	-7.256
3	830.916	-7.281
4	817.250	-29.434
5	857.250	-23.566