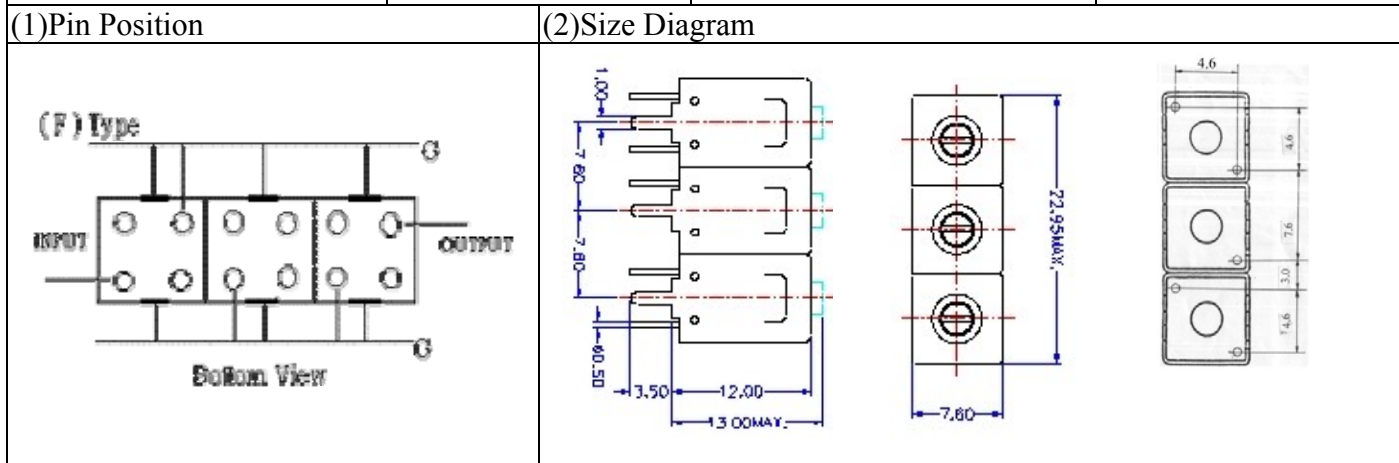


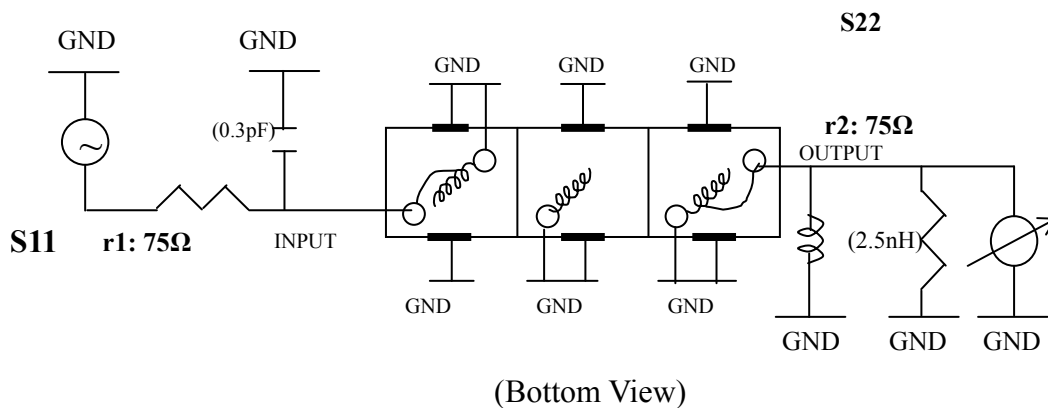
VHF UHF Helical Filter Specification Sheet

Customer Name		Temwell's Part No.	TTL6374F-807.25M
Approval No. /dated	0611102APR	Acceptable Specify Fo Range	801~830 MHz
Work Instruction No.	0611102DC	Date	Dec.08.2006



(3) Electric Character			
Item		Specify	Performance
Center Freq.(Fo) +/- 0.5 %		807.25 MHz	807.25 MHz
Tunable Range		807.25±10 MHz	807.25±10 MHz
Insertion Loss		Typ. 5.0 dB	3.91 dB
-3 dB Bandwidth		Typ. 8 MHz	12.5 MHz
Sensitivity (Attenuation)	Fo - 20 MHz	Typ. 23 dBc	26 dBc
	Fo + 20 MHz	Typ. 17 dBc	20 dBc
	Fo - ()MHz	Typ. dBc	dBc
	Fo +()MHz	Typ. dBc	dBc
Return Loss		Min. 12 dB	18.2 dB
Ripple		< 1 dB	dB
Impedance		In / Out : 75 Ω	In / Out : 75 Ω
(4) Torque for Tuning Screw		> 100gf · cm	
(5) Temperature Condition:			
Operating Temperature		0°C ~ +60°C	
Storage Temperature		-20°C ~ +70°C	
(6) Input Power		> 1Watt	

(7) Measuring Circuit: ※Easy to match Impedance S11/S22 75Ω by parallel with about(0.3pF)/(2.5nH).

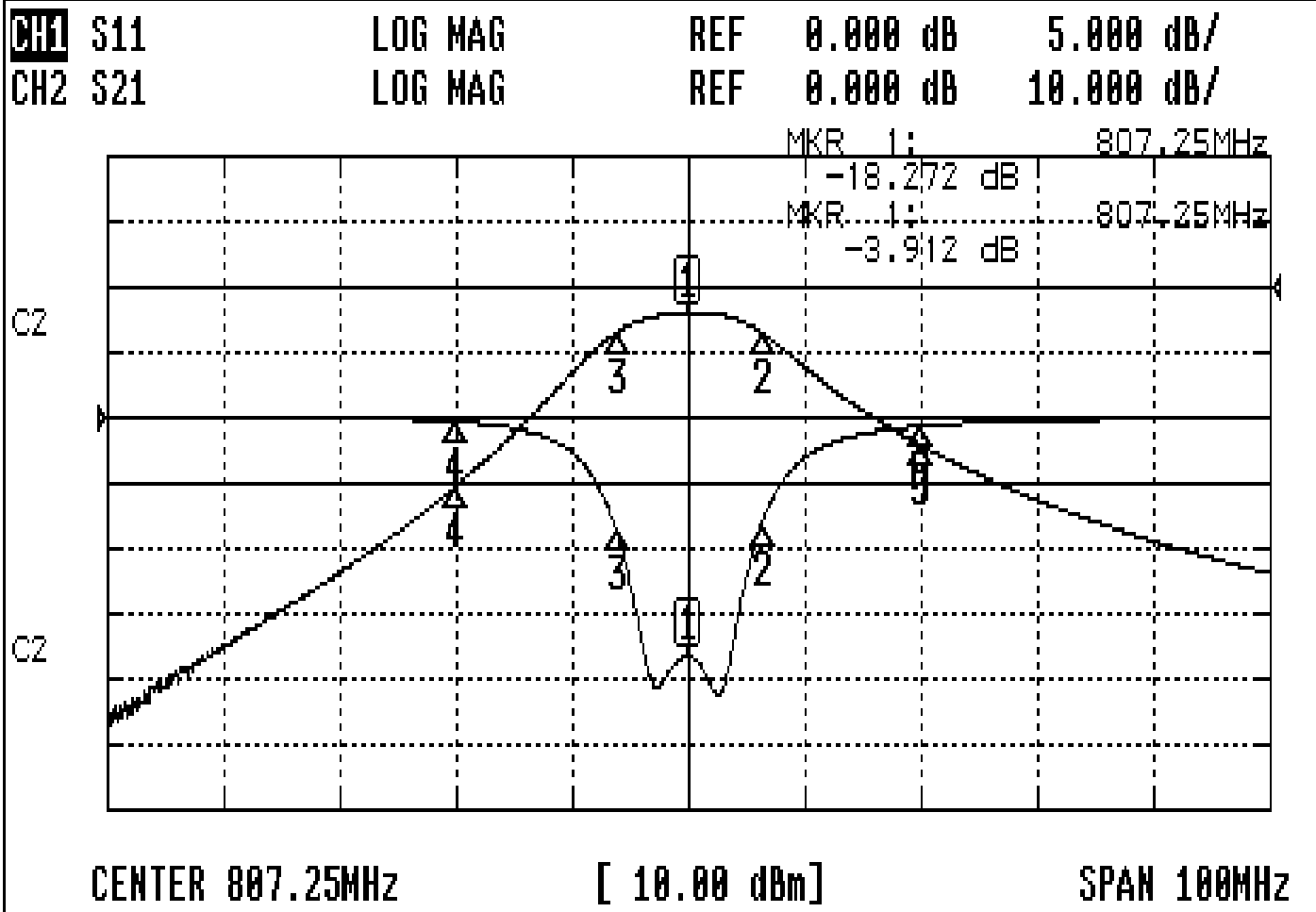


Approval	Supervisor	Designer	Aperture size
C.Y.Chang	C.S.Chang	P.H.Chiang	7H3(4*4.65)F 左 7H046LB4 聚 3/中 7H046RB4

TEMWELL CORPORATION

Performance-TTL6374F-807.25M

0611102DC



CH1 MARKER LIST

1:	807.250MHz	-18.272	dB
2:	813.583MHz	-8.153	dB
3:	801.083MHz	-8.599	dB
4:	787.250MHz	-0.306	dB
5:	827.250MHz	-0.641	dB
6:			
7:			
8:			
9:			
10:			

CH2 MARKER LIST

1:	807.250MHz	-3.912	dB
2:	813.583MHz	-6.899	dB
3:	801.083MHz	-6.949	dB
4:	787.250MHz	-30.551	dB
5:	827.250MHz	-24.130	dB
6:			
7:			
8:			
9:			
10:			