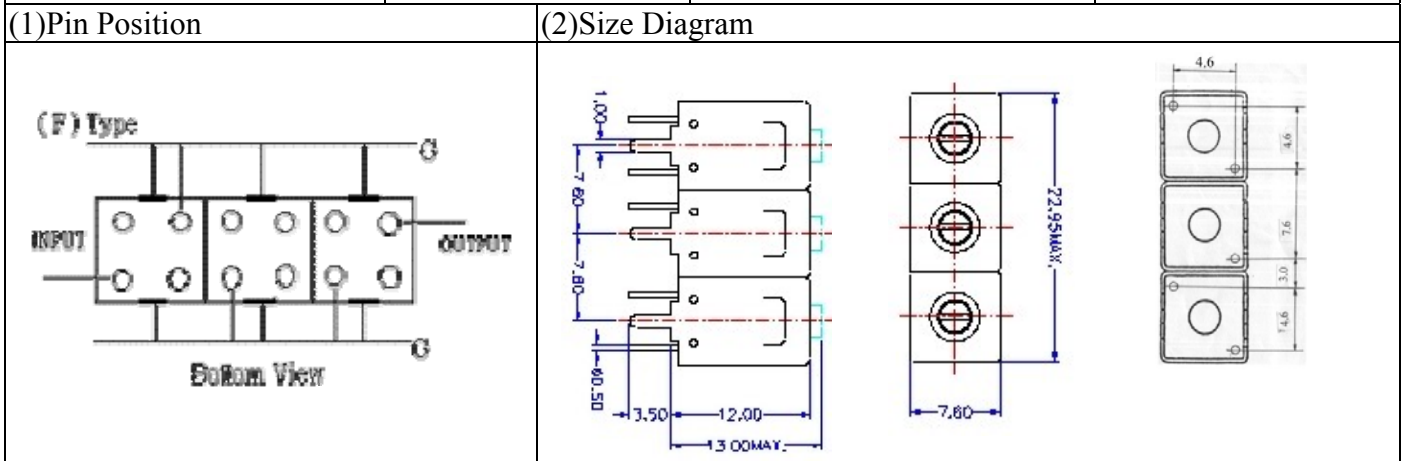


VHF UHF Helical Filter Specification Sheet

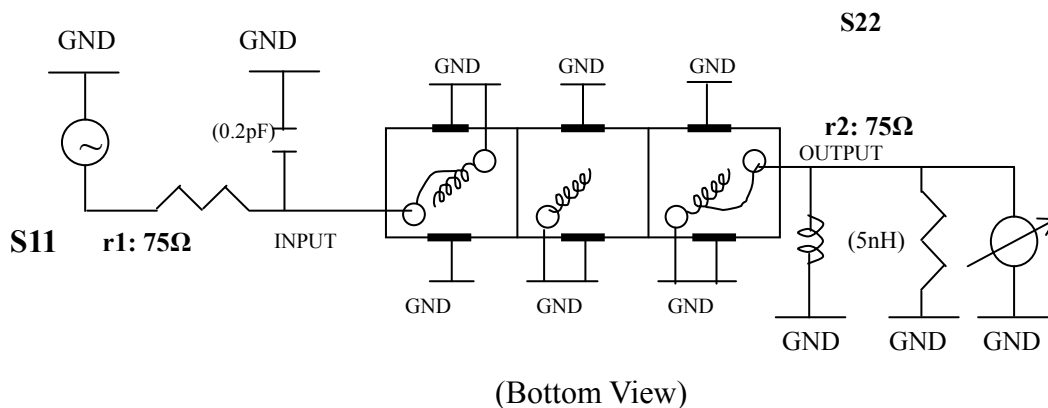
Customer Name		Temwell's Part No.	TTL6368F-771.25M
Approval No. /dated	0611096APR	Acceptable Specify Fo Range	751~800 MHz
Work Instruction No.	0611096DC	Date	Nov.24.2006



Item		Specify	Performance
Center Freq.(Fo) +/- 0.5 %		771.25 MHz	771.25 MHz
Tunable Range		771.25±5 MHz	771.25±5 MHz
Insertion Loss		Typ. 6.0 dB	4.47 dB
-3 dB Bandwidth		Typ. 6 MHz	11.0 MHz
Sensitivity (Attenuation)	Fo - 20 MHz	Typ. 31 dB	34 dB
	Fo + 20 MHz	Typ. 22 dB	25 dB
	Fo - ()MHz	Typ. dB	dB
	Fo +()MHz	Typ. dB	dB
Return Loss		Min. 12 dB	18.1 dB
Ripple		< 1 dB	dB
Impedance		In / Out : 75 Ω	In / Out : 75 Ω
(4) Torque for Tuning Screw		> 60gf • cm	

(5) Temperature Condition:	
Operating Temperature	0°C ~ +60°C
Storage Temperature	-20°C ~ +70°C
(6) Input Power	> 1Watt

(7) Measuring Circuit: ※Easy to match Impedance S11/S22 75Ω by parallel with about(0.2pF)/(5nH).

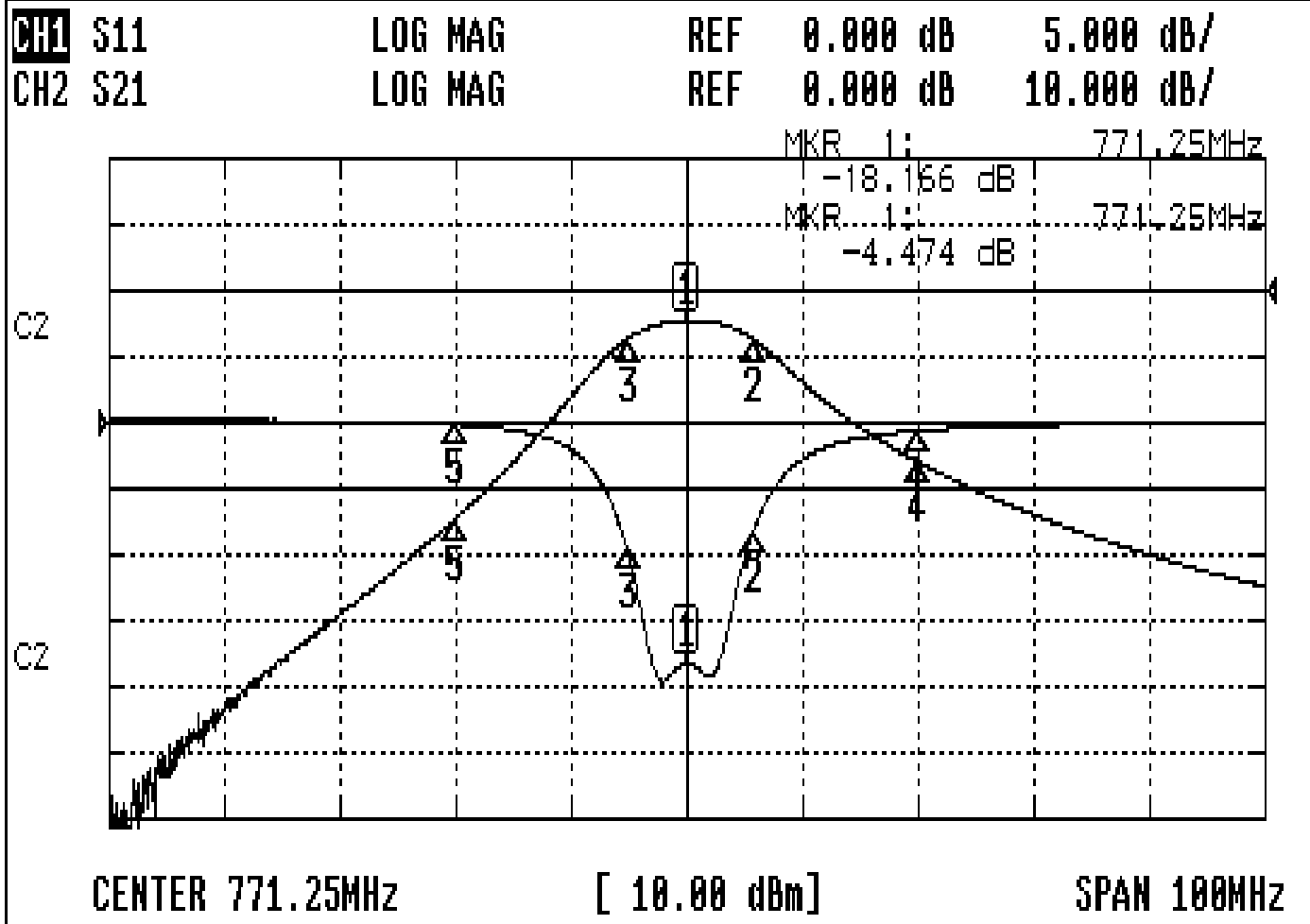


Approval	Supervisor	Designer	Aperture size
C.Y.Chang	C.S.Chang	P.H.Chiang	7H3(4*4.65)F 7H046LB4 / 046RB4

TEMWELL CORPORATION

Performance-TTL6368F-771.25M

0611096DC



CH1 MARKER LIST

Marker	Frequency (MHz)	Magnitude (dB)
1	771.250	-18.166
2	777.083	-10.176
3	766.083	-9.419
4	791.250	-0.598
5	751.250	-0.125

CH2 MARKER LIST

Marker	Frequency (MHz)	Magnitude (dB)
1	771.250	-4.474
2	777.083	-7.448
3	766.083	-7.425
4	791.250	-25.874
5	751.250	-34.572