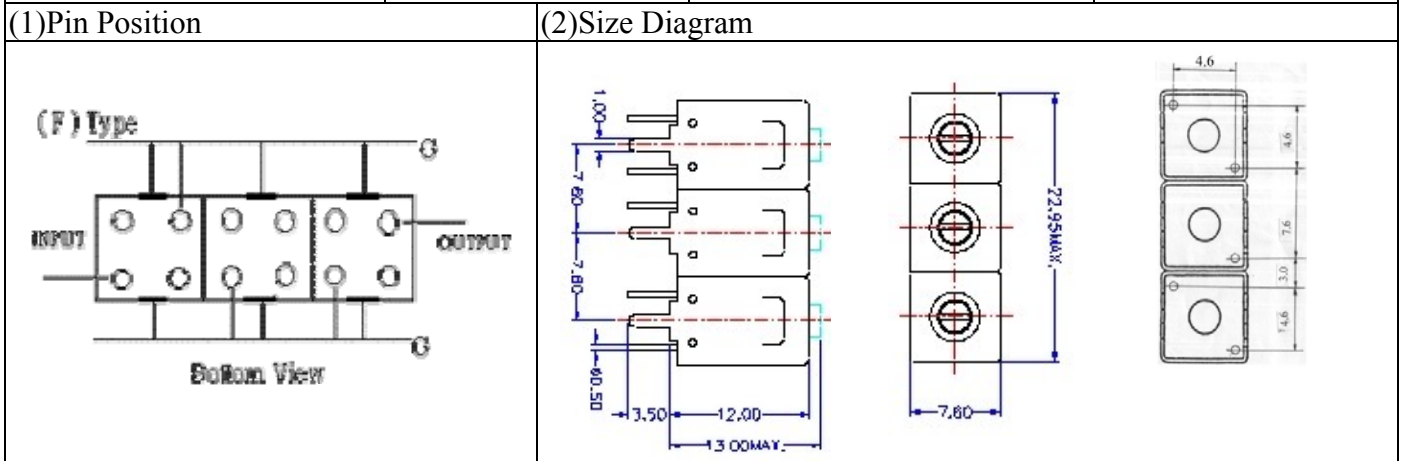


VHF UHF Helical Filter Specification Sheet

Customer Name		Temwell's Part No.	TTL6366F-759.25M
Approval No. /dated	0611094APR	Acceptable Specify Fo Range	751~800 MHz
Work Instruction No.	0611094DC	Date	Nov.24.2006



(3) Electric Chararistic

Item	Specify	Performance
Center Freq.(Fo) +/- 0.5 %	759.25 MHz	759.25 MHz
Tunable Range	759.25±5 MHz	759.25±5 MHz
Insertion Loss	Typ. 6.0 dB	5.23 dB
-3 dB Bandwidth	Typ. 6 MHz	10.3 MHz
Sensitivity (Attenuation)	Fo - 20 MHz	Typ. 33 dB
	Fo + 20 MHz	Typ. 27 dB
	Fo - ()MHz	Typ. dB
	Fo +()MHz	Typ. dB
Return Loss	Min. 12 dB	23.1 dB
Ripple	< 1 dB	dB
Impedance	In / Out : 75 Ω	In / Out : 75 Ω

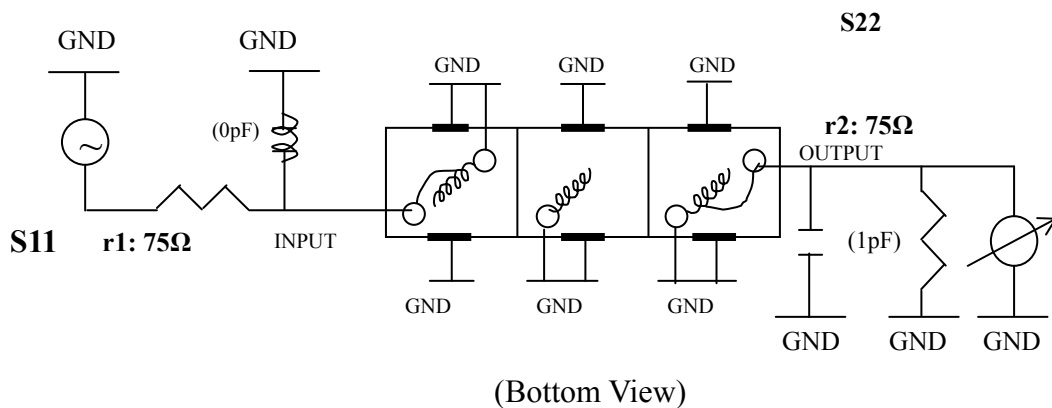
(4) Torque for Tuning Screw > 60gf · cm

(5) Temperature Condition:

Operating Temperature	-0°C ~ +60°C
Storage Temperature	-20°C ~ +70°C

(6) Input Power > 1Watt

(7) Measuring Circuit: ※Easy to match Impedance S11/S22 75Ω by parallel with about(0pF)/(1pF).

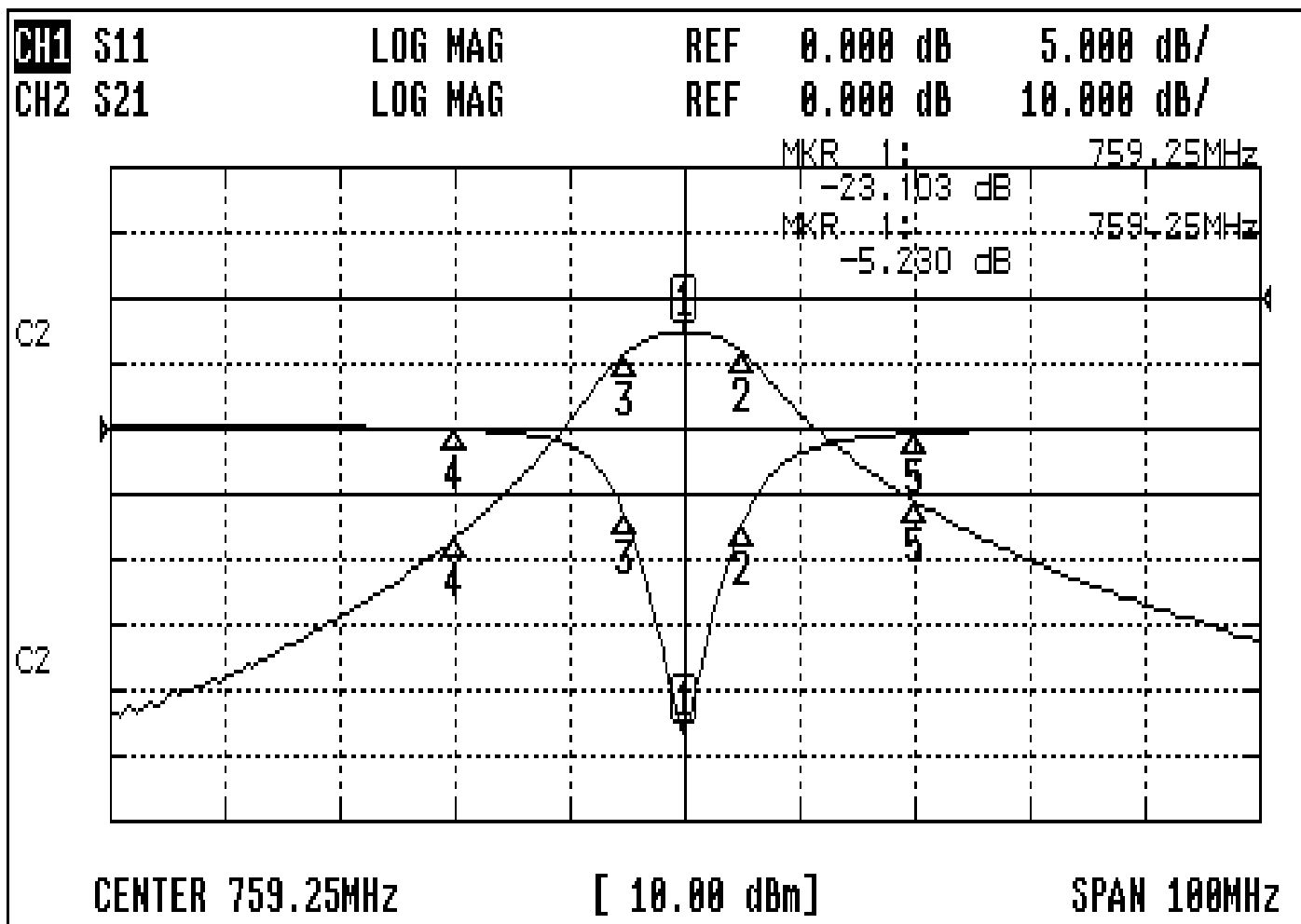


Approval	Supervisor	Designer	Aperture size
C.Y.Chang	C.S.Chang	W.W.Wang	7H3(4*4.65)F 7H046LB4 / 046RB4

TEMWELL CORPORATION

Performance-TTL6366F-759.25M

0611094DC



CH1 MARKER LIST

1:	759.250MHz	-23.103	dB
2:	764.833MHz	-7.279	dB
3:	754.083MHz	-6.726	dB
4:	739.250MHz	-0.003	dB
5:	779.250MHz	-0.323	dB

CH2 MARKER LIST

1:	759.250MHz	-5.230	dB
2:	764.833MHz	-1.251	dB
3:	754.083MHz	-0.300	dB
4:	739.250MHz	-0.000	dB
5:	779.250MHz	-0.992	dB