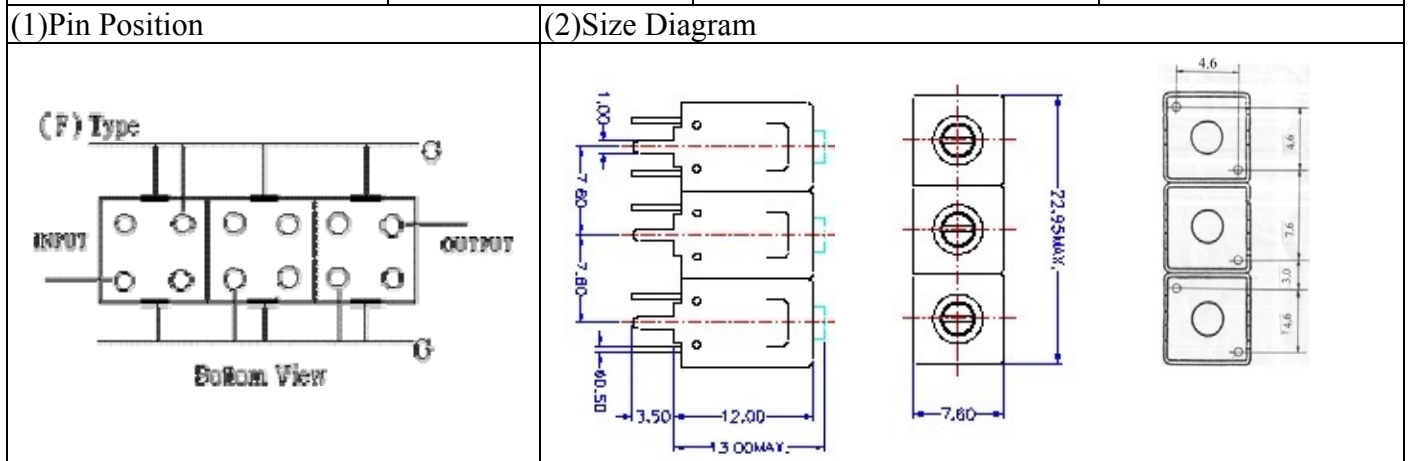


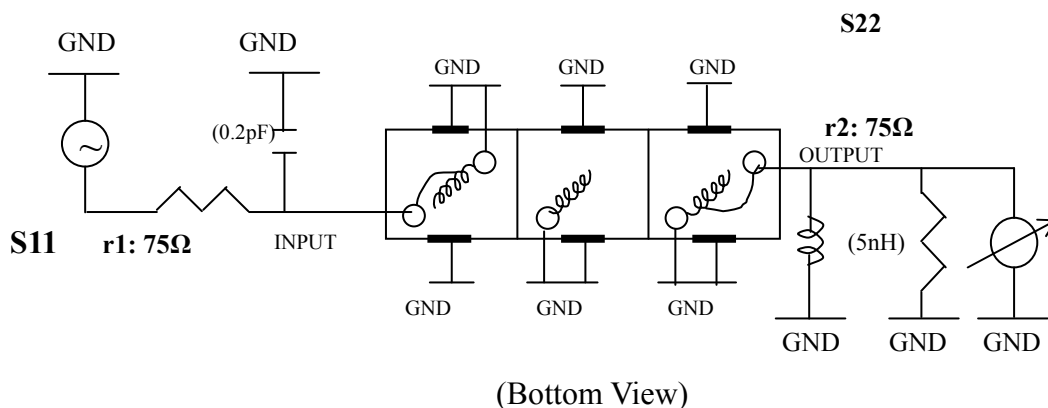
VHF UHF Helical Filter Specification Sheet

Customer Name		Temwell's Part No.	TTL6363F-741.25M
Approval No. /dated	0611091APR	Acceptable Specify Fo Range	701~750 MHz
Work Instruction No.	0611091DC	Date	Dec.04.2006



Item		Specify	Performance
Center Freq.(Fo) +/- 0.5 %		741.25 MHz	741.25 MHz
Tunable Range		741.25±5 MHz	741.25±5 MHz
Insertion Loss		Typ. 6.0 dB	4.68 dB
-3 dB Bandwidth		Typ. 6 MHz	11.0 MHz
Sensitivity (Attenuation)	Fo - 20 MHz	Typ. 31 dB	34 dB
	Fo + 20 MHz	Typ. 23 dB	26 dB
	Fo - ()MHz	Typ. dB	dB
	Fo +()MHz	Typ. dB	dB
Return Loss		Min. 12 dB	16.6 dB
Ripple		< 1 dB	dB
Impedance		In / Out : 75 Ω	In / Out : 75 Ω
(4) Torque for Tuning Screw		> 60gf · cm	
(5) Temperature Condition:			
Operating Temperature		0°C ~ +60°C	
Storage Temperature		-20°C ~ +70°C	
(6) Input Power		> 1Watt	

(7) Measuring Circuit: ※Easy to match Impedance S11/S22 75Ω by parallel with about(0.5pF)/(5nH).



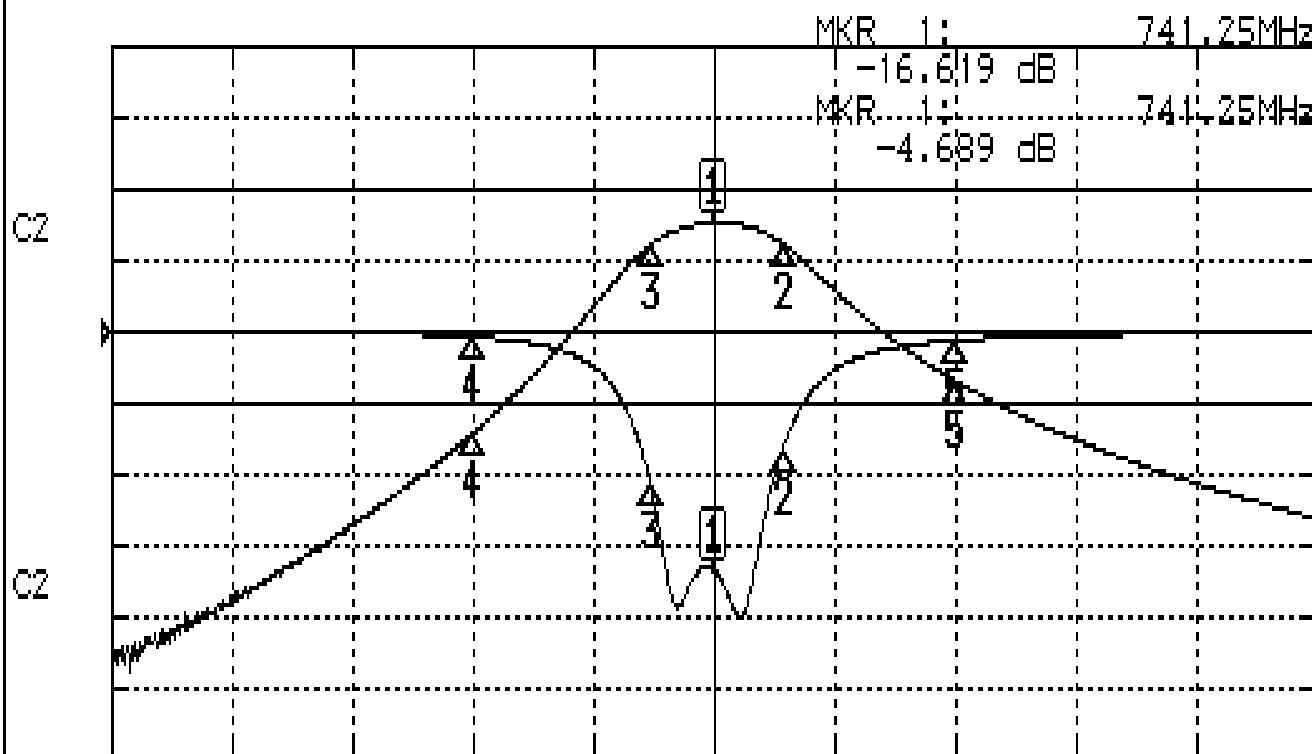
Approval	Supervisor	Designer	Aperture size
C.Y.Chang	C.S.Chang	P.H.Chiang	7H3(4*4.5)F 7H046LB4 聚 3

TEMWELL CORPORATION

Performance-TTL6363F-741.25M

0611091DC

CH1 S11 LOG MAG REF 0.000 dB 5.000 dB/
CH2 S21 LOG MAG REF 0.000 dB 10.000 dB/



CENTER 741.25MHz

[10.00 dBm]

SPAN 100MHz

CH1 MARKER LIST

1:	741.250MHz	-16.619 dB
2:	747.000MHz	-8.116 dB
3:	736.000MHz	-10.735 dB
4:	721.250MHz	-0.313 dB
5:	761.250MHz	-0.571 dB

CH2 MARKER LIST

1:	741.250MHz	-4.689 dB
2:	747.000MHz	-7.648 dB
3:	736.000MHz	-7.774 dB
4:	721.250MHz	-34.266 dB
5:	761.250MHz	-26.779 dB