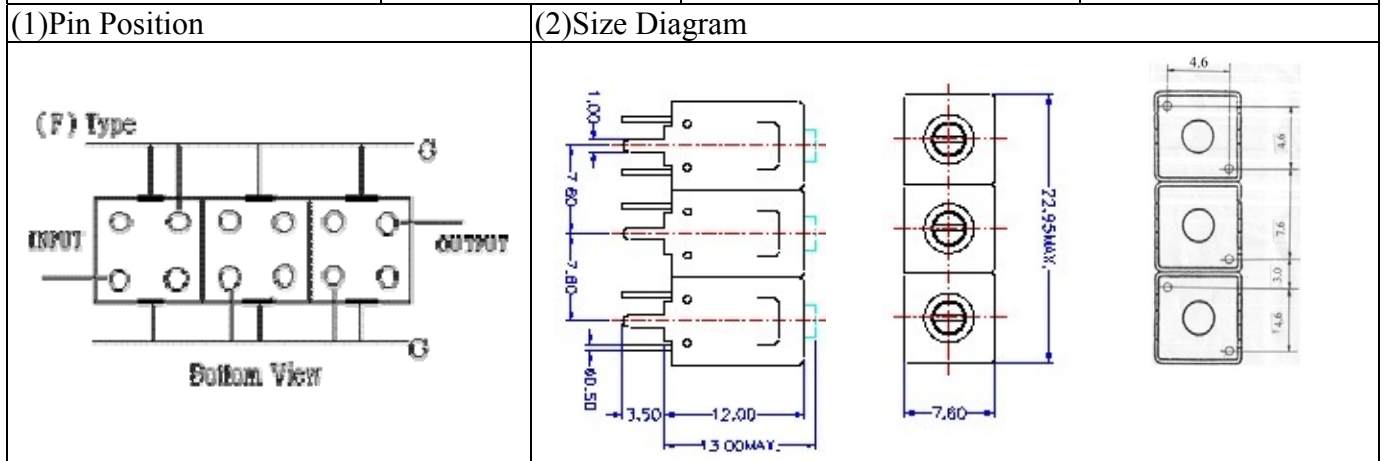
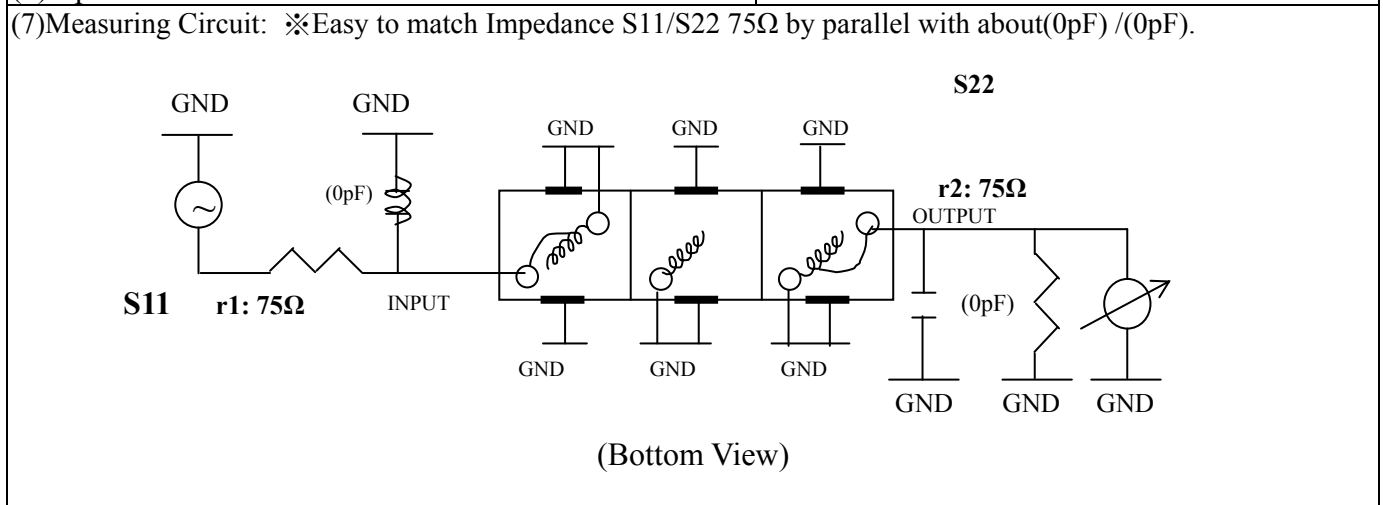


VHF UHF Helical Filter Specification Sheet

Customer Name		Temwell's Part No.	TTL6359F-717.25M
Approval No. /dated	0611087APR	Acceptable Specify Fo Range	701~750 MHz
Work Instruction No.	0611087DC	Date	Nov.24.2006



(3) Electric Charasteric			
Item		Specify	Performance
Center Freq.(Fo) +/- 0.5 %		717.25 MHz	717.25 MHz
Tunable Range		717.25±5 MHz	717.25±5 MHz
Insertion Loss		Typ. 6.0 dB	5.10 dB
-3 dB Bandwidth		Typ. 6 MHz	8.9 MHz
Sensitivity (Attenuation)	Fo - 20 MHz	Typ. 34 dB	37 dB
	Fo + 20 MHz	Typ. 28 dB	31 dB
	Fo - ()MHz	Typ. dB	dB
	Fo +()MHz	Typ. dB	dB
Return Loss		Min. 12 dB	32.6 dB
Ripple		< 1 dB	dB
Impedance		In / Out : 75 Ω	In / Out : 75 Ω
(4) Torque for Tuning Screw		> 60gf • cm	
(5) Temperature Condition:			
Operating Temperature		0°C ~ +60°C	
Storage Temperature		-20°C ~ +70°C	
(6) Input Power		> 1Watt	



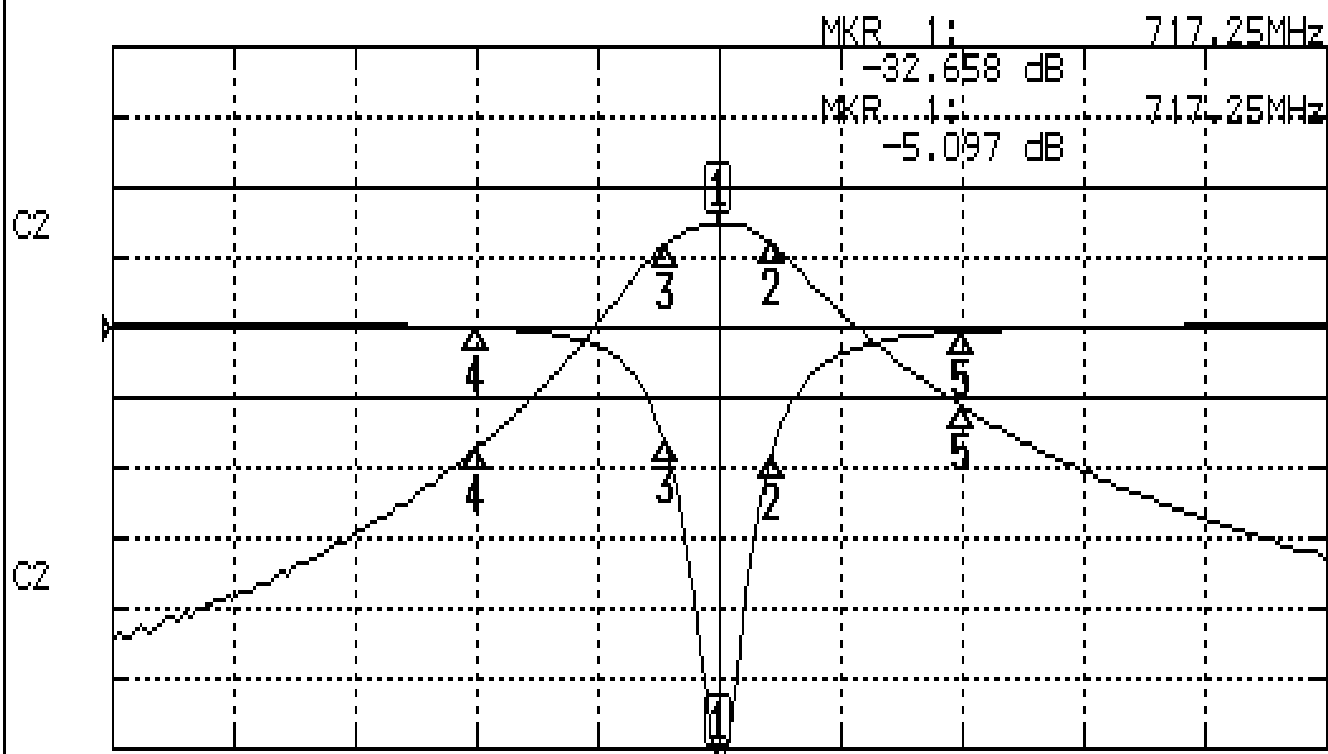
Approval	Supervisor	Designer	Aperture size
C.Y.Chang	C.S.Chang	W.W.Wang	7H3(4*4.65)F 7H046LB4 聚 3

TEMWELL CORPORATION

Performance-TTL6359F-717.25M

0611087DC

CH1 S11 LOG MAG REF 0.000 dB 5.000 dB/
CH2 S21 LOG MAG REF 0.000 dB 10.000 dB/



CENTER 717.25MHz [10.00 dBm] SPAN 100MHz

CH1 MARKER LIST

1:	717.250MHz	-32.658	dB
2:	721.666MHz	-9.000	dB
3:	712.750MHz	-7.950	dB
4:	697.250MHz	0.000	dB
5:	737.250MHz	-0.300	dB

CH2 MARKER LIST

1:	717.250MHz	-5.100	dB
2:	721.666MHz	-1.111	dB
3:	712.750MHz	-1.169	dB
4:	697.250MHz	-7.294	dB
5:	737.250MHz	-1.253	dB