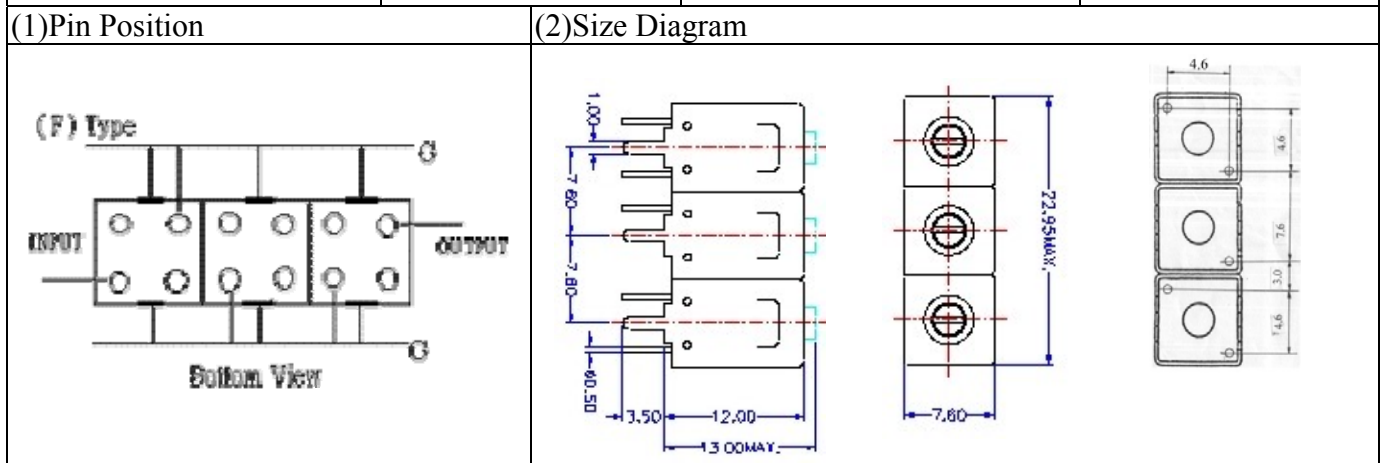


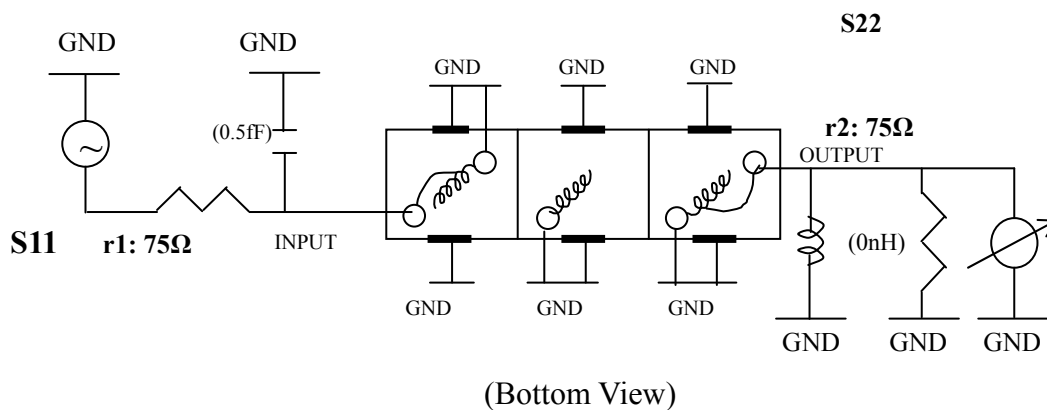
VHF UHF Helical Filter Specification Sheet

Customer Name		Temwell's Part No.	TTL6358F-711.25M
Approval No. /dated	0611086APR	Acceptable Specify Fo Range	701~750 MHZ
Work Instruction No.	0611086DC	Date	Dec.06.2006



(3) Electric Charasteric			
Item		Specify	Performance
Center Freq.(Fo) +/- 0.5 %		711.25 MHz	711.25 MHz
Tunable Range		711.25±5 MHz	711.25±5 MHz
Insertion Loss		Typ. 6.0 dB	4.48 dB
-3 dB Bandwidth		Typ. 6 MHz	11.5 MHz
Sensitivity (Attenuation)	Fo - 20 MHz	Typ. 32 dB	35 dB
	Fo + 20 MHz	Typ. 24 dB	27 dB
	Fo - ()MHz	Typ. dB	dB
	Fo +()MHz	Typ. dB	dB
Return Loss		Min. 12 dB	18.1 dB
Ripple		< 1 dB	dB
Impedance		In / Out : 75 Ω	In / Out : 75 Ω
(4) Torque for Tuning Screw		> 60gf • cm	
(5) Temperature Condition:			
Operating Temperature		0°C ~ +60°C	
Storage Temperature		-20°C ~ +70°C	
(6) Input Power		> 1Watt	

(7) Measuring Circuit: ※Easy to match Impedance S11/S22 75Ω by parallel with about(0.5fF)/(0nH).

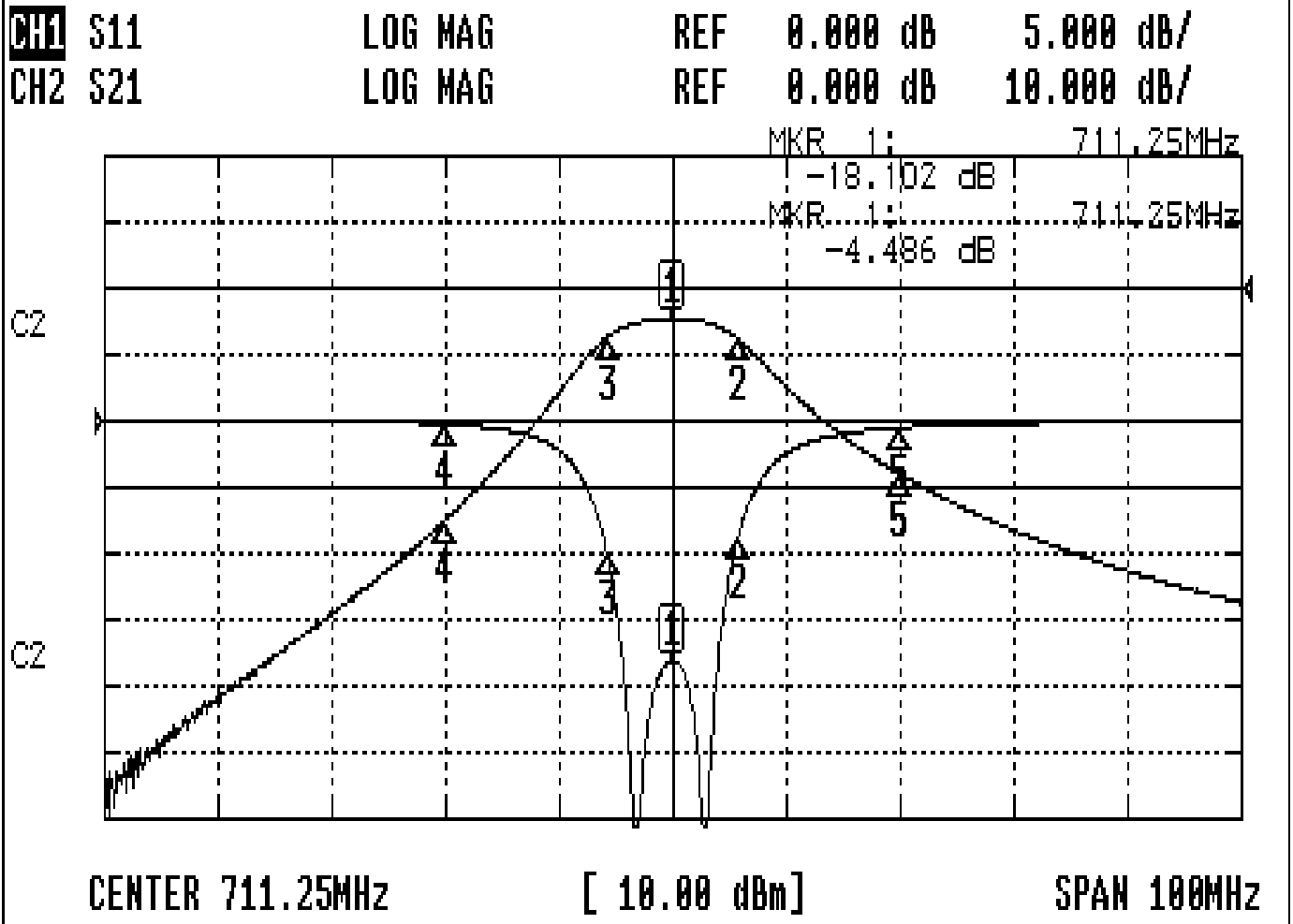


Approval	Supervisor	Designer	Aperture size
C.Y.Chang	C.S.Chang	P.H.Chiang	7H3(4*4.65)F 7H 046LB4 / RB4

TEMWELL CORPORATION

Performance-TTL6358F-711.25M

0611086DC



CH1 MARKER LIST

1	711.250MHz	-18.102 dB
2	717.000MHz	-18.959 dB
3	705.500MHz	-19.854 dB
4	691.250MHz	-10.232 dB
5	731.250MHz	-0.498 dB

CH2 MARKER LIST

1	711.250MHz	-4.486 dB
2	717.000MHz	-7.570 dB
3	705.500MHz	-7.452 dB
4	691.250MHz	-35.090 dB
5	731.250MHz	-27.965 dB