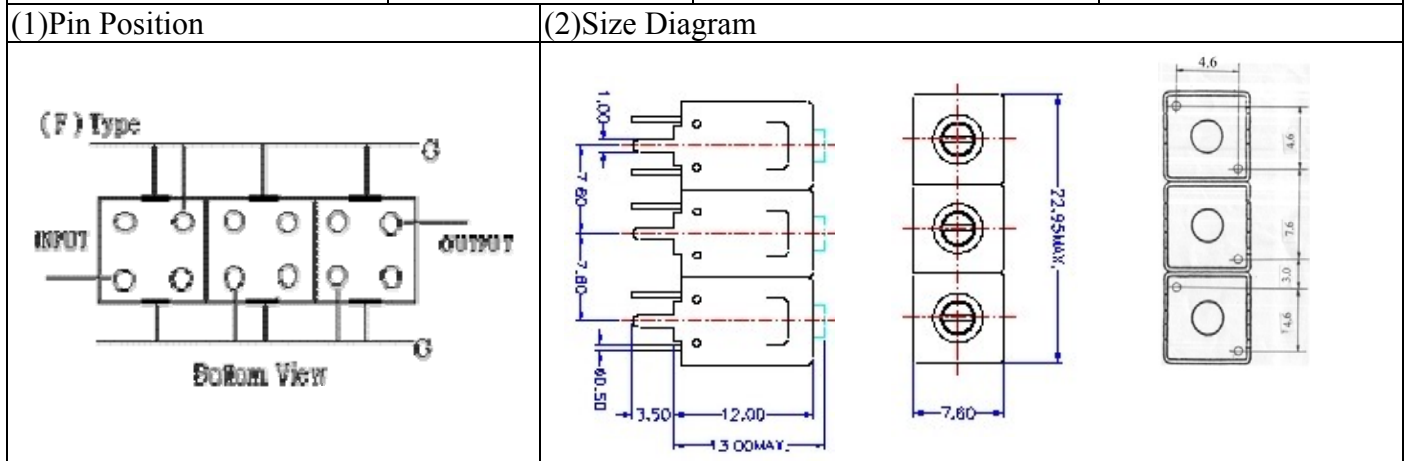


VHF UHF Helical Filter Specification Sheet

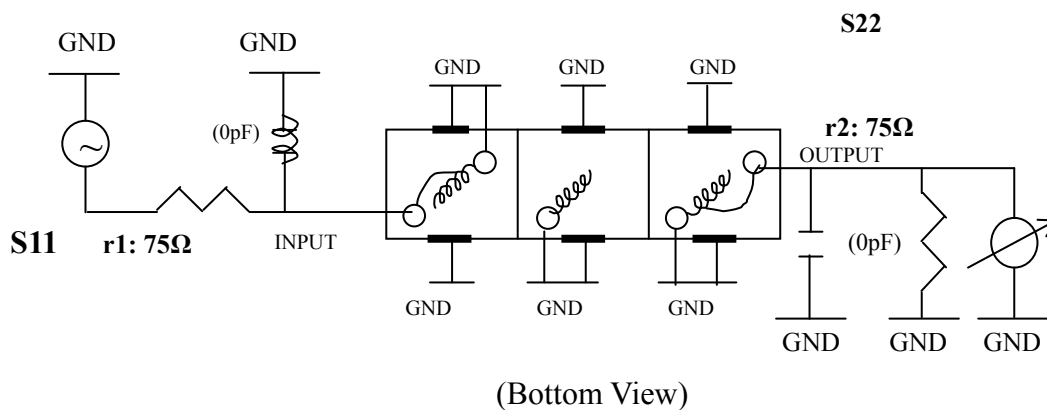
Customer Name		Temwell's Part No.	TTL6354F-687.25M
Approval No. /dated	0611082APR	Acceptable Specify Fo Range	661~700 MHz
Work Instruction No.	0611082DC	Date	Dec.06.2006



(3) Electric Charasteric

Item	Specify	Performance	
Center Freq.(Fo) +/- 0.5 %	687.25 MHz	687.25 MHz	
Tunable Range	687.25±5 MHz	687.25±5 MHz	
Insertion Loss	Typ. 5.5 dB	4.37 dB	
-3 dB Bandwidth	Typ. 6 MHz	11.3 MHz	
Sensitivity (Attenuation)	Fo - 20 MHz	Typ. 30 dB	33 dB
	Fo + 20 MHz	Typ. 27 dB	30 dB
	Fo - ()MHz	Typ. dB	dB
	Fo +()MHz	Typ. dB	dB
Return Loss	Min. 12 dB	34 dB	
Ripple	< 1 dB	dB	
Impedance	In / Out : 75 Ω	In / Out : 75 Ω	
(4) Torque for Tuning Screw	> 60gf • cm		
(5) Temperature Condition:			
Operating Temperature	0°C ~ +60°C		
Storage Temperature	-20°C ~ +70°C		
(6) Input Power	> 1 Watt		

(7) Measuring Circuit: ※Easy to match Impedance S11/S22 75Ω by parallel with about(0pF)/(0pF).



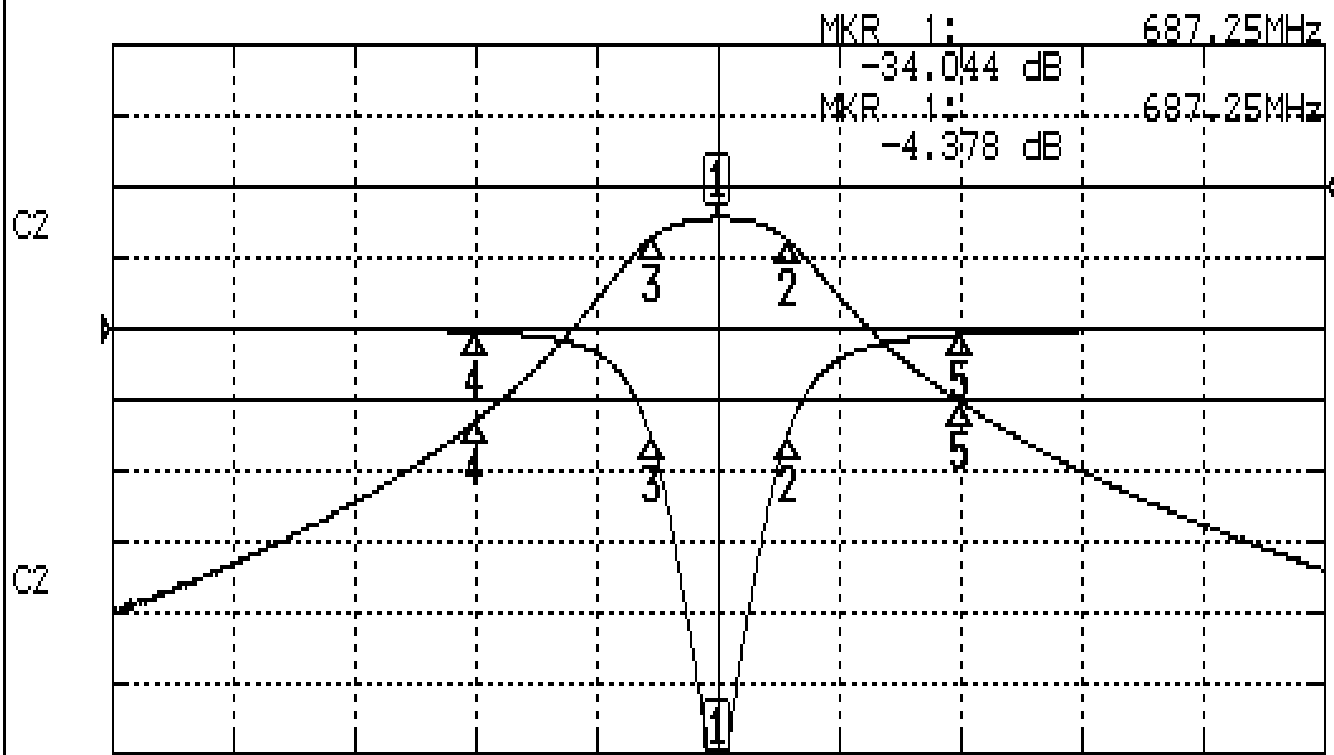
Approval	Supervisor	Designer	Aperture size
C.Y.Chang	C.S.Chang	P.H.Chiang	7H3(4*4.5)F 7H046RB4

TEMWELL CORPORATION

Performance-TTL6354F-687.25M

0611082DC

CH1 S11 LOG MAG REF 0.000 dB 5.000 dB/
CH2 S21 LOG MAG REF 0.000 dB 10.000 dB/



CENTER 687.25MHz

[10.00 dBm]

SPAN 100MHz

CH1 MARKER LIST

1	687.250MHz	-34.044	dB
2	693.000MHz	-7.646	dB
3	681.750MHz	-7.654	dB
4	667.250MHz	-0.224	dB
5	707.250MHz	-0.423	dB

CH2 MARKER LIST

1	687.250MHz	-4.378	dB
2	693.000MHz	-7.495	dB
3	681.750MHz	-7.345	dB
4	667.250MHz	-33.219	dB
5	707.250MHz	-30.308	dB