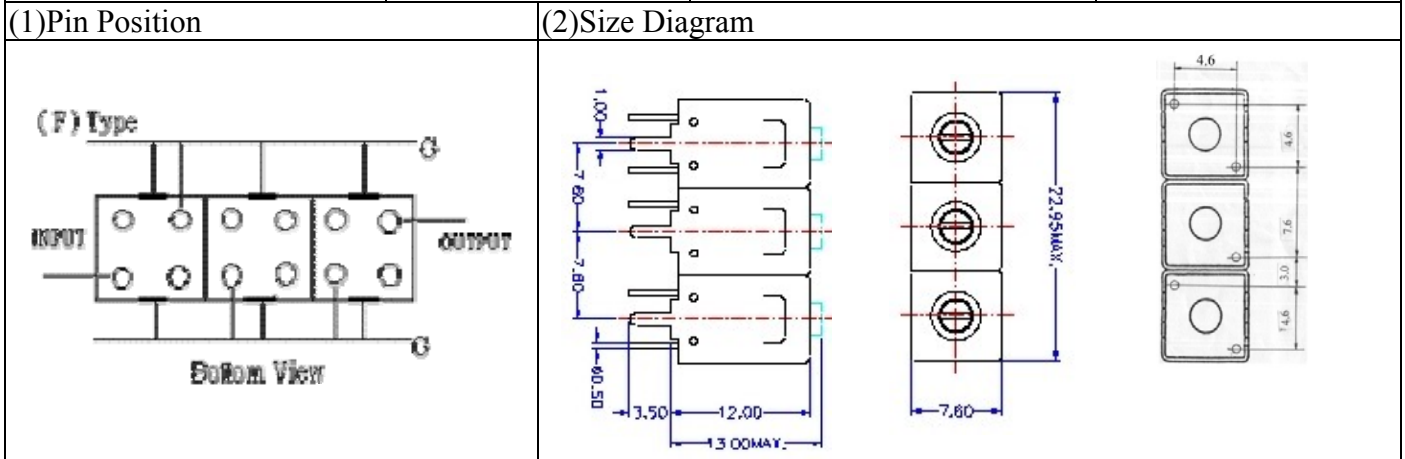


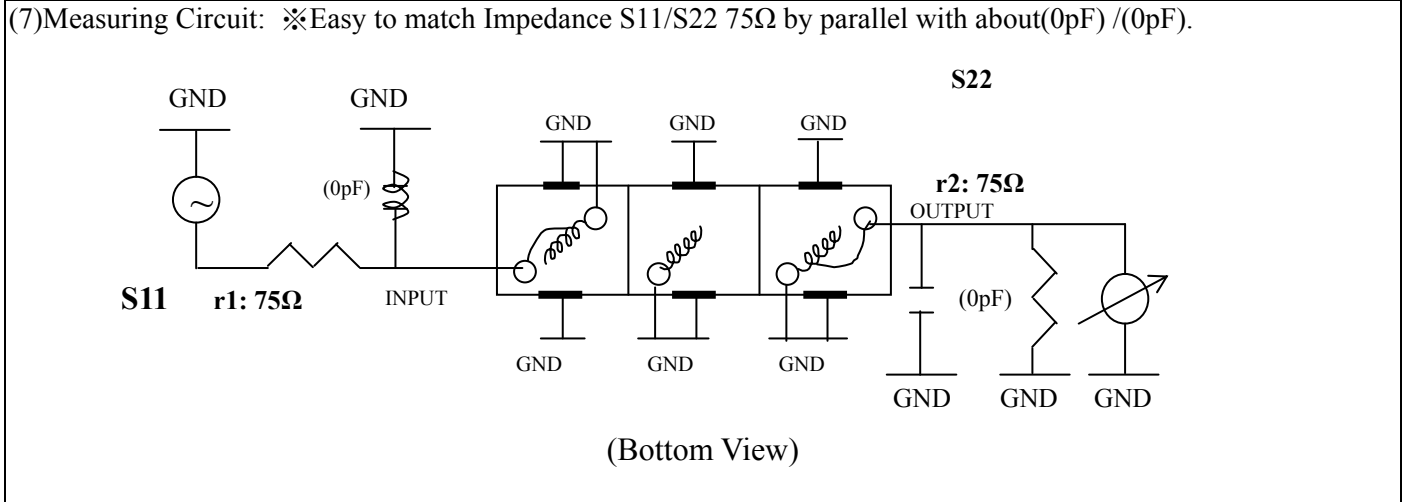
VHF UHF Helical Filter Specification Sheet

Customer Name		Temwell's Part No.	TTL6353F-681.25M
Approval No. /dated	0611081APR	Acceptable Specify Fo Range	661~700 MHz
Work Instruction No.	0611081DC	Date	Dec.06.2006



(3) Electric Characteristic			
Item	Specify	Performance	
Center Freq.(Fo) +/- 0.5 %	681.25 MHz	681.25 MHz	
Tunable Range	681.25±5 MHz	681.25±5 MHz	
Insertion Loss	Typ. 5.5 dB	4.66 dB	
-3 dB Bandwidth	Typ. 6 MHz	10.6 MHz	
Sensitivity (Attenuation)	Fo - 20 MHz	Typ. 30 dB	33 dB
	Fo + 20 MHz	Typ. 28 dB	31 dB
	Fo - ()MHz	Typ. dB	dB
	Fo +()MHz	Typ. dB	dB
Return Loss	Min. 12 dB	29.5 dB	
Ripple	< 1 dB	dB	
Impedance	In / Out : 75 Ω	In / Out : 75 Ω	
(4) Torque for Tuning Screw	> 60gf • cm		

(5) Temperature Condition:	
Operating Temperature	0°C ~ +60°C
Storage Temperature	-20°C ~ +70°C
(6) Input Power	> 1Watt

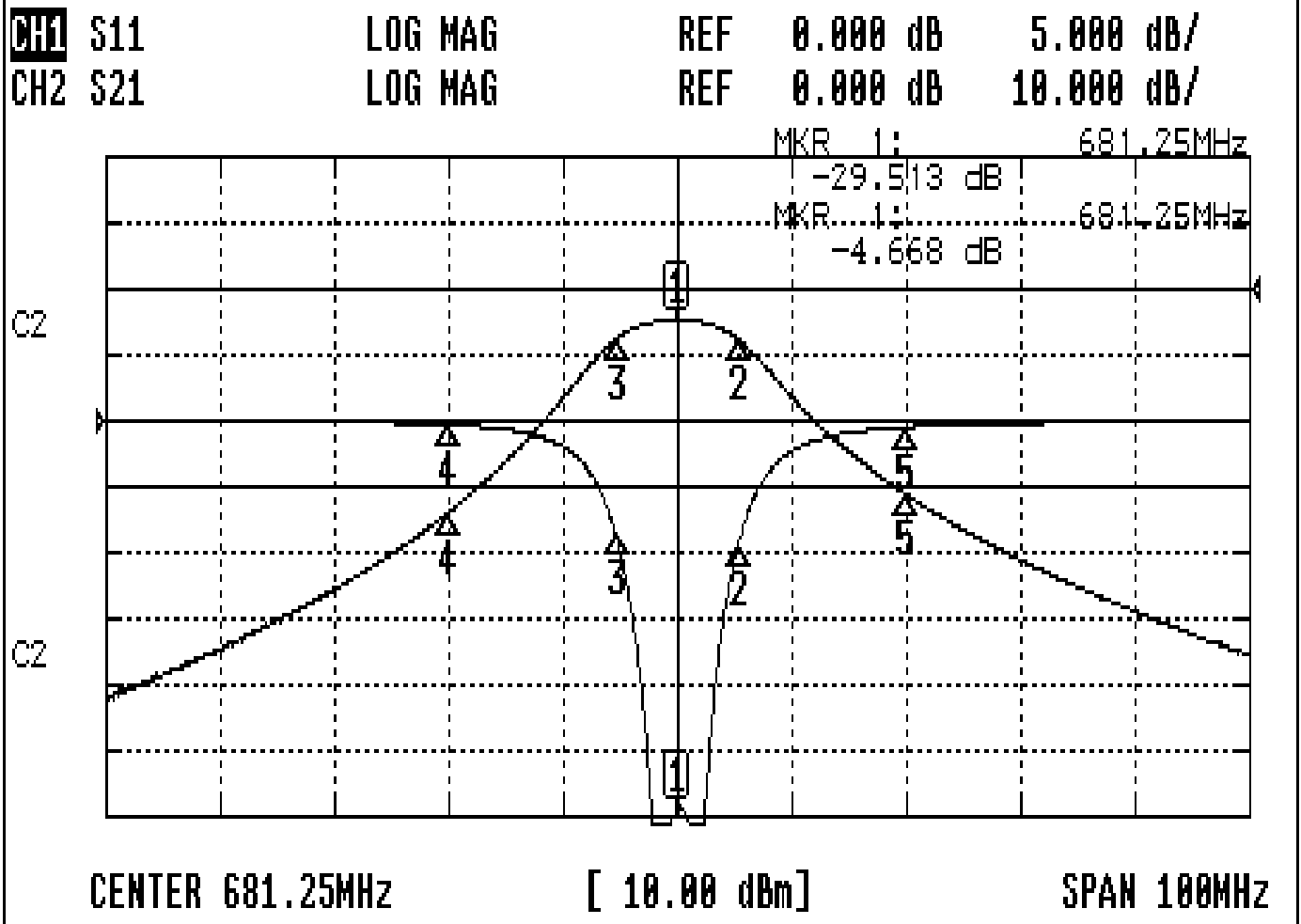


Approval	Supervisor	Designer	Aperture size
C.Y.Chang	C.S.Chang	P.H.Chiang	7H3(4*4.5)F 7H046RB4

TEMWELL CORPORATION

Performance-TTL6353F-681.25M

0611081DC



CH1 MARKER LIST

Marker	Frequency (MHz)	Magnitude (dB)
1	681.250MHz	-29.513 dB
2	686.583MHz	-19.534 dB
3	675.916MHz	-18.660 dB
4	661.250MHz	-10.288 dB
5	701.250MHz	-0.478 dB

CH2 MARKER LIST

Marker	Frequency (MHz)	Magnitude (dB)
1	681.250MHz	-4.668 dB
2	686.583MHz	-7.580 dB
3	675.916MHz	-7.594 dB
4	661.250MHz	-33.895 dB
5	701.250MHz	-31.090 dB