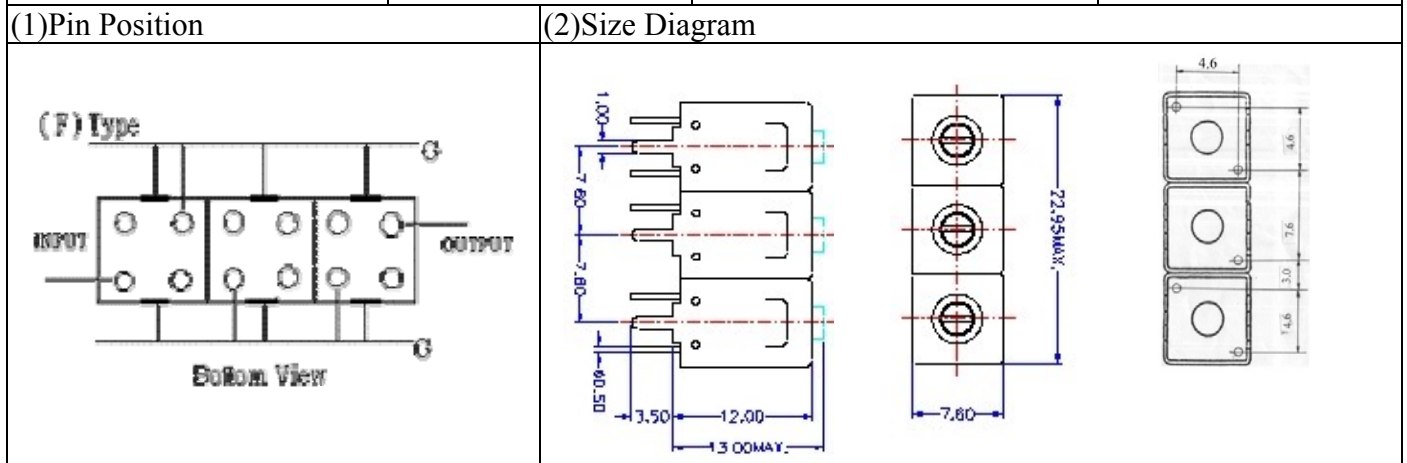


VHF UHF Helical Filter Specification Sheet

Customer Name		Temwell's Part No.	TTL6352F-675.25M
Approval No. /dated	0611080APR	Acceptable Specify Fo Range	661~700 MHz
Work Instruction No.	0611080DC	Date	Dec.06.2006



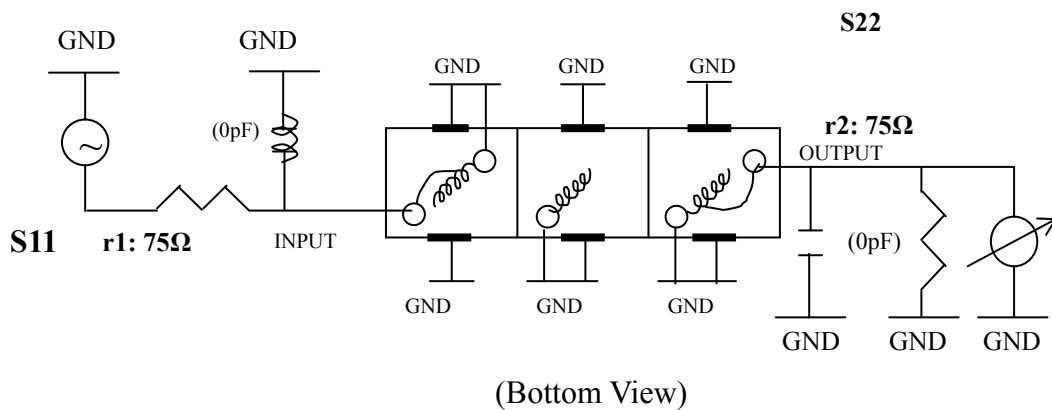
Item		Specify	Performance
Center Freq.(Fo) +/- 0.5 %		675.25 MHz	675.25 MHz
Tunable Range		675.25±5 MHz	675.25±5 MHz
Insertion Loss		Typ. 5.5 dB	4.16 dB
-3 dB Bandwidth		Typ. 6 MHz	10.4 MHz
Sensitivity (Attenuation)	Fo - 20 MHz	Typ. 30 dB	33 dB
	Fo + 20 MHz	Typ. 27 dB	30 dB
	Fo - ()MHz	Typ. dB	dB
	Fo +()MHz	Typ. dB	dB
Return Loss		Min. 12 dB	26.5 dB
Ripple		< 1 dB	dB
Impedance		In / Out : 75 Ω	In / Out : 75 Ω

(4) Torque for Tuning Screw > 60gf • cm

(5) Temperature Condition:	
Operating Temperature	0°C ~ +60°C
Storage Temperature	-20°C ~ +70°C

(6) Input Power > 1Watt

(7) Measuring Circuit: ※Easy to match Impedance S11/S22 75Ω by parallel with about(0pF)/(0pF).

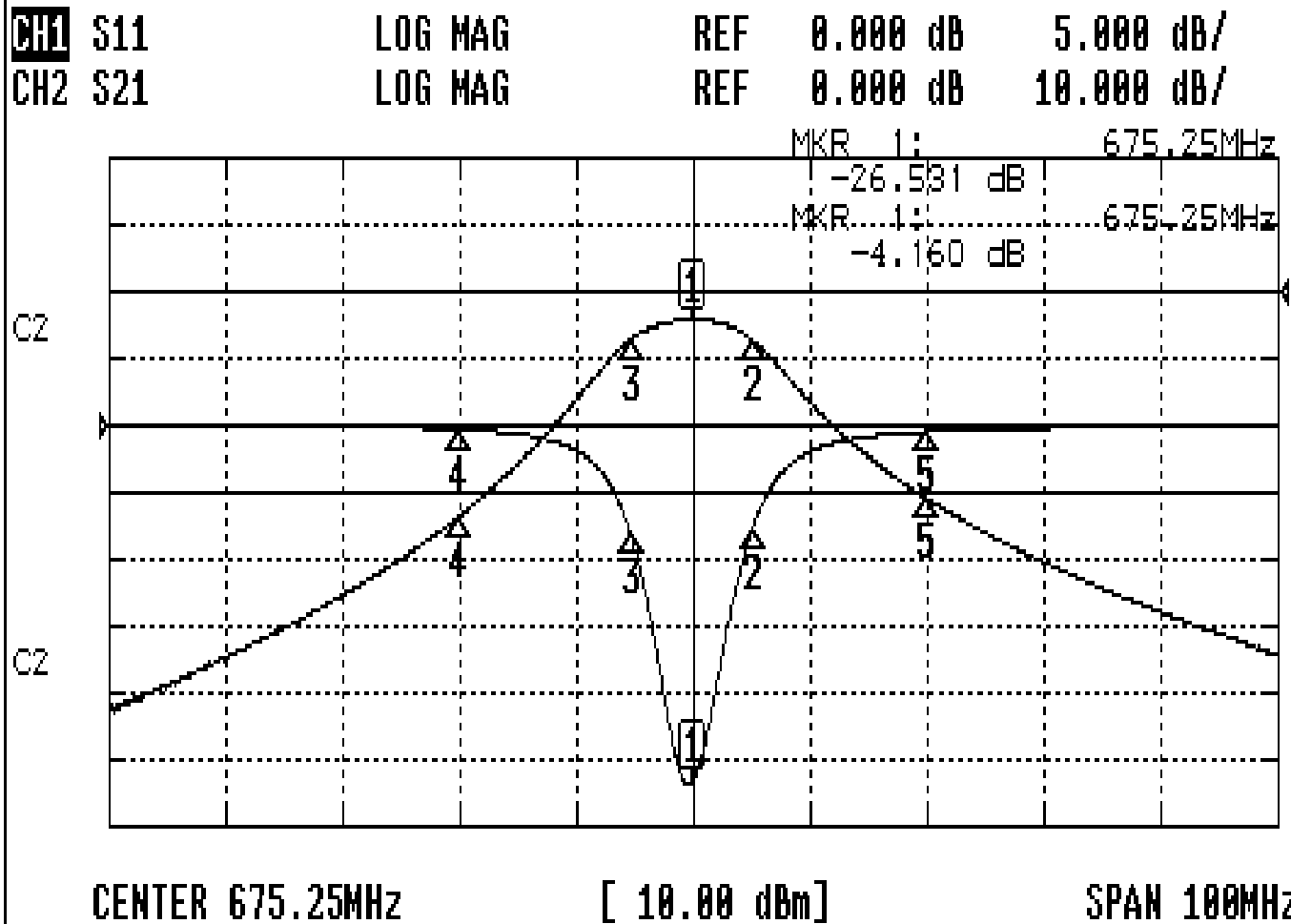


Approval	Supervisor	Designer	Aperture size
C.Y.Chang	C.S.Chang	P.H.Chiang	7H3(4*4.5)F 7H046RB4

TEMWELL CORPORATION

Performance-TTL6352F-675.25M

0611080DC



CH1 MARKER LIST

1:	675.250MHz	-26.531	dB	
2:	680.333MHz	-7.777	dB	
3:	689.916MHz	-8.028	dB	
4:	695.250MHz	-0.245	dB	
5:	695.250MHz	-0.438	dB	

CH2 MARKER LIST

1:	675.250MHz	-4.160	dB	
2:	680.333MHz	-7.144	dB	
3:	689.916MHz	-7.165	dB	
4:	695.250MHz	-33.572	dB	
5:	695.250MHz	-30.855	dB	