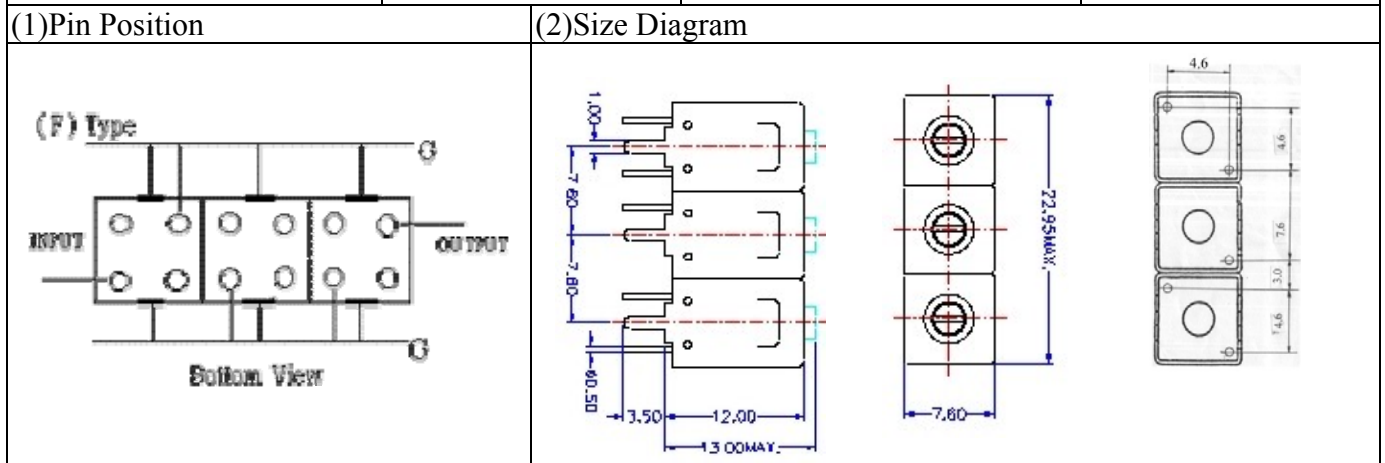


VHF UHF Helical Filter Specification Sheet

Customer Name		Temwell's Part No.	TTL6347F-645.25M
Approval No. /dated	0611075APR	Acceptable Specify Fo Range	641~660 MHz
Work Instruction No.	0611075DC	Date	Dec.06.2006



(3) Electric Characteristic

Item	Specify	Performance	
Center Freq.(Fo) +/- 0.5 %	645.25 MHz	645.25 MHz	
Tunable Range	645.25±5 MHz	645.25±5 MHz	
Insertion Loss	Typ. 5.5 dB	5.19 dB	
-3 dB Bandwidth	Typ. 6 MHz	9.7 MHz	
Sensitivity (Attenuation)	Fo - 15 MHz	Typ. 27 dB	30 dB
	Fo + 15 MHz	Typ. 25 dB	28 dB
	Fo - ()MHz	Typ. dB	dB
	Fo + ()MHz	Typ. dB	dB
Return Loss	Min. 12 dB	27.6 dB	
Ripple	< 1 dB	dB	
Impedance	In / Out : 75 Ω	In / Out : 75 Ω	

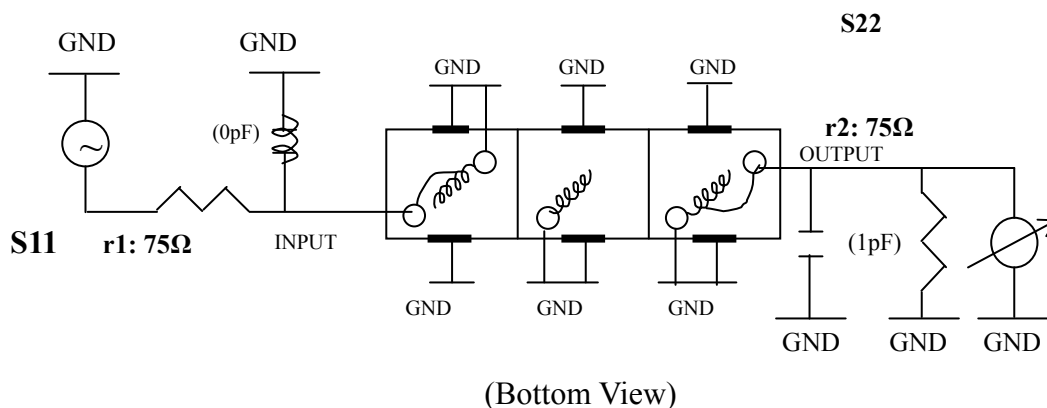
(4) Torque for Tuning Screw > 60gf • cm

(5) Temperature Condition:

Operating Temperature	0°C ~ +60°C
Storage Temperature	-20°C ~ +70°C

(6) Input Power > 1Watt

(7) Measuring Circuit: ※Easy to match Impedance S11/S22 75Ω by parallel with about(0pF)/(1pF).



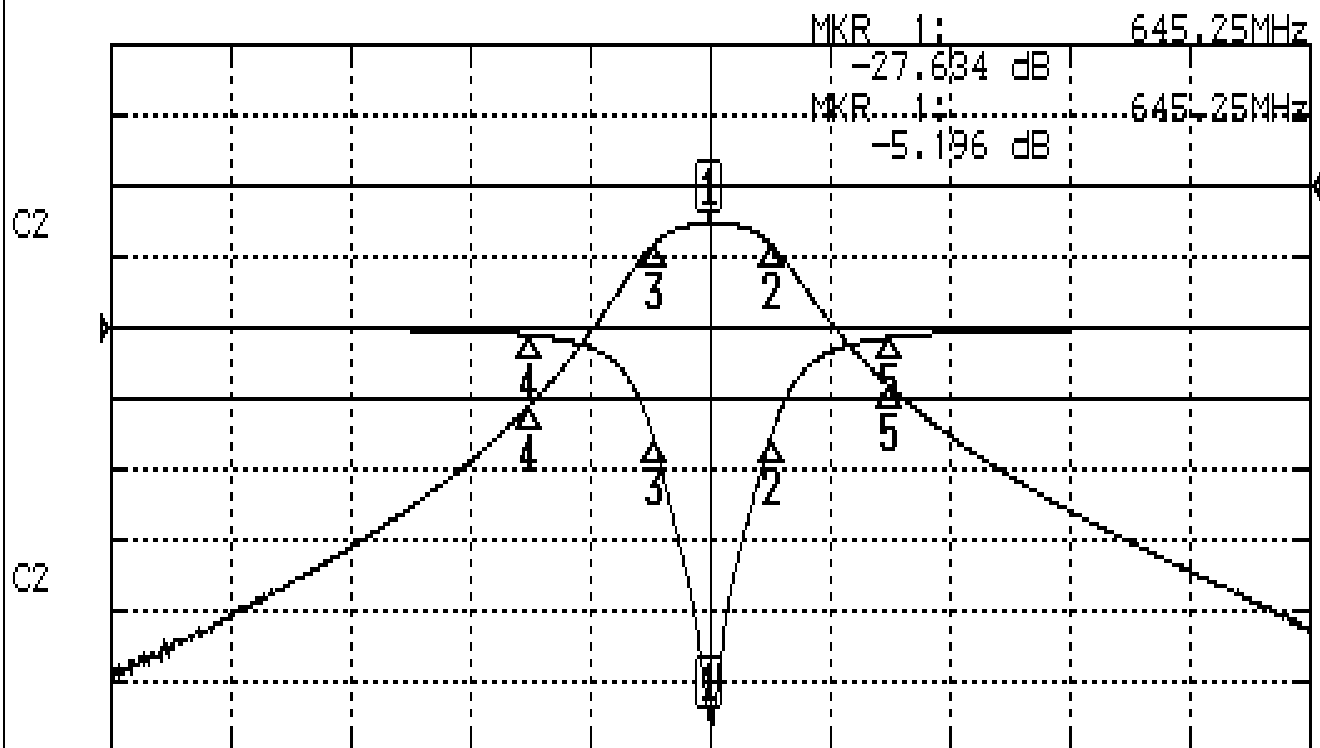
Approval	Supervisor	Designer	Aperture size
C.Y.Chang	C.S.Chang	P.H.Chiang	7H3(4*4.65)F 7H 046RB4 / 046LB4

TEMWELL CORPORATION

Performance-TTL6347F-645.25M

0611075DC

CH1 S11 LOG MAG REF 0.000 dB 5.000 dB/
CH2 S21 LOG MAG REF 0.000 dB 10.000 dB/



CENTER 645.25MHz

[10.00 dBm]

SPAN 100MHz

CH1 MARKER LIST

1:	645.250MHz	-27.634 dB
2:	650.333MHz	-7.820 dB
3:	640.666MHz	-8.086 dB
4:	630.250MHz	-0.521 dB
5:	660.250MHz	-0.700 dB

CH2 MARKER LIST

1:	645.250MHz	-5.196 dB
2:	650.333MHz	-0.160 dB
3:	640.666MHz	-0.144 dB
4:	630.250MHz	-0.983 dB
5:	660.250MHz	-28.247 dB