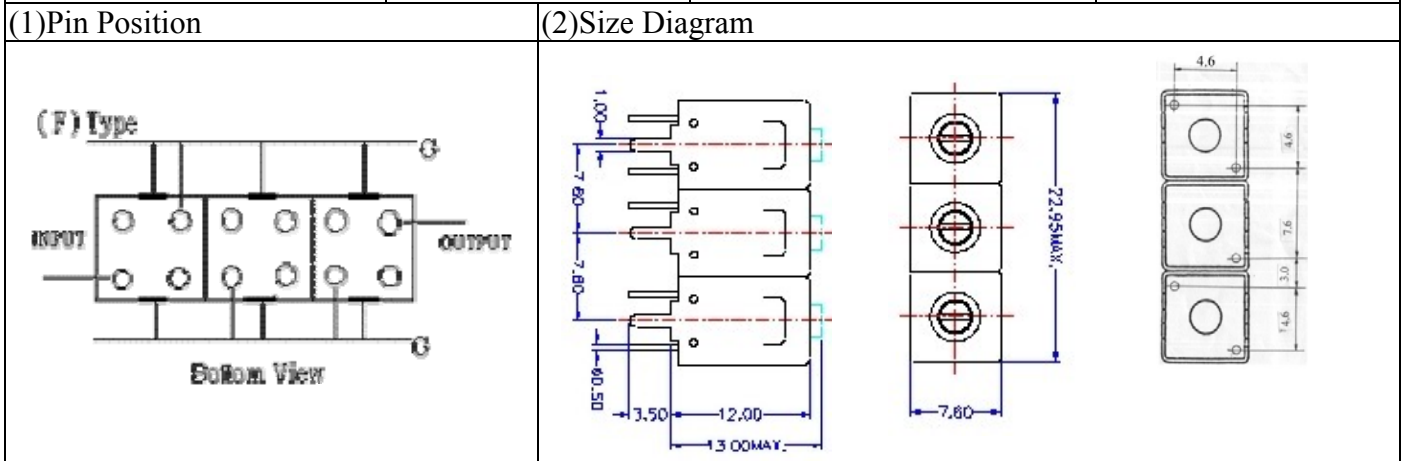


# VHF UHF Helical Filter Specification Sheet

Customer Name		Temwell's Part No.	TTL6342F-615.25M
Approval No. /dated	0611067APR	Acceptable Specify Fo Range	596~640 MHz
Work Instruction No.	0611067DC	Date	Nov.21.2006



(3) Electric Chararistic

Item	Specify	Performance	
Center Freq.(Fo) +/- 0.5 %	615.25 MHz	615.25 MHz	
Tunable Range	615.25±5 MHz	615.25±5 MHz	
Insertion Loss	Typ. 5.5 dB	4.53 dB	
-3 dB Bandwidth	Typ. 6 MHz	9.4 MHz	
Sensitivity (Attenuation)	Fo - 15 MHz	Typ. 24 dB	27 dB
	Fo + 15 MHz	Typ. 20 dB	23 dB
	Fo - ( )MHz	Typ. dB	dB
	Fo +( )MHz	Typ. dB	dB
Return Loss	Min. 12 dB	23.2 dB	
Ripple	< 1 dB	dB	
Impedance	In / Out : 75 Ω	In / Out : 75 Ω	

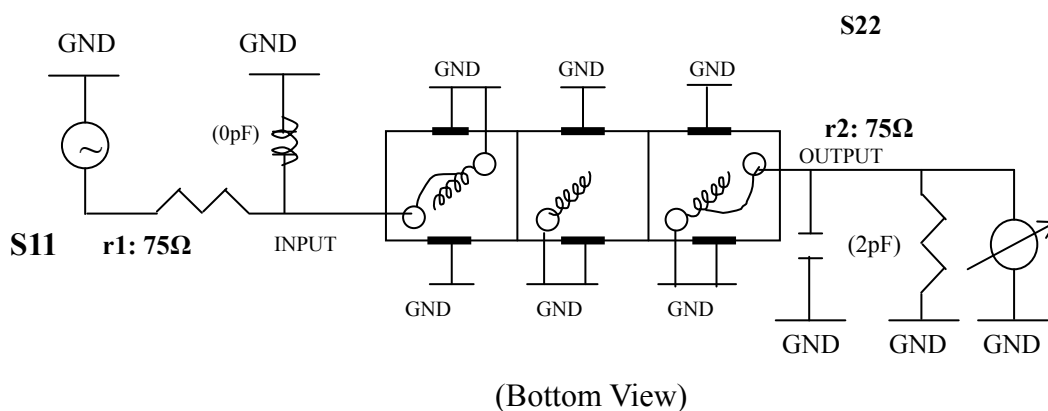
(4) Torque for Tuning Screw > 100gf · cm

(5) Temperature Condition:

Operating Temperature	-0°C ~ +60°C
Storage Temperature	-20°C ~ +70°C

(6) Input Power > 1Watt

(7) Measuring Circuit: ※Easy to match Impedance S11/S22 75Ω by parallel with about(0pF)/(2pF).



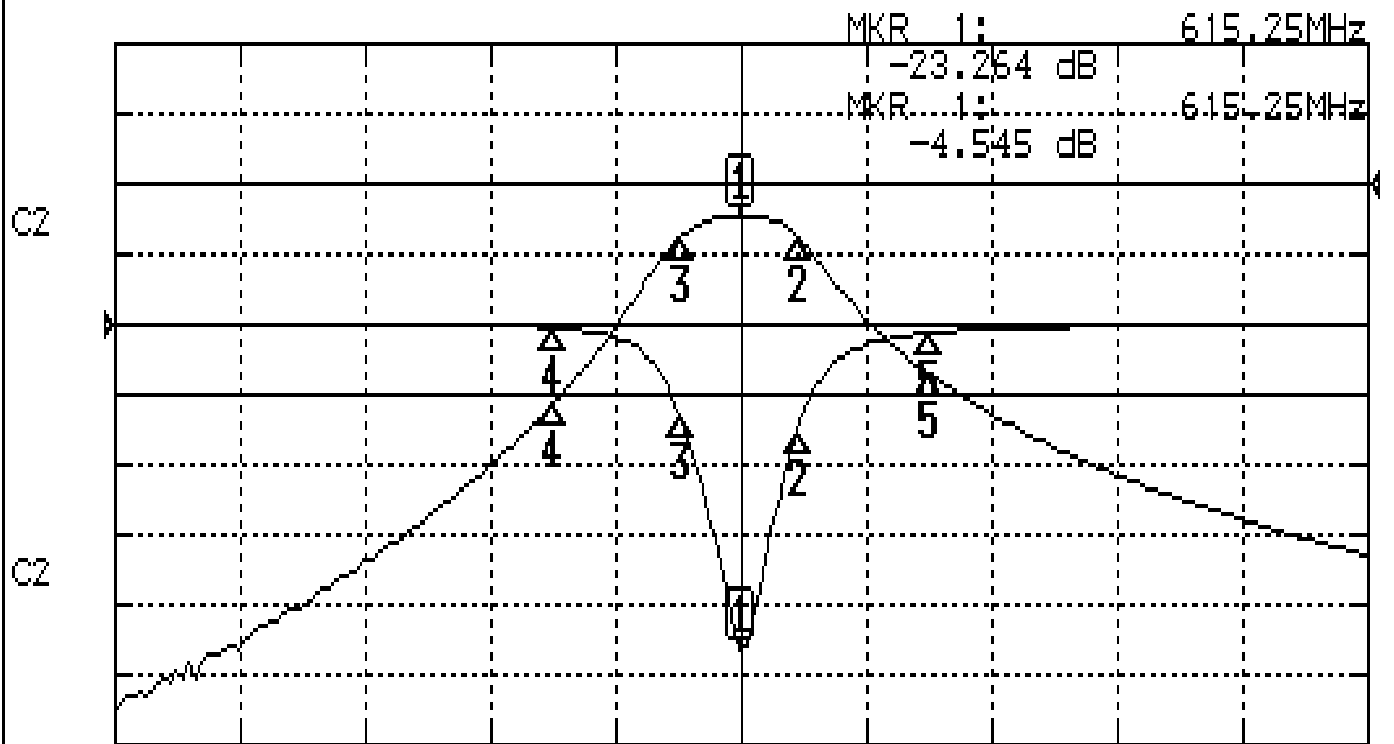
Approval	Supervisor	Designer	Aperture size
C.Y.Chang	C.S.Chang	C.S.Chang	7H3(4*4.65)F 7H046LB4 聚 3

TEMWELL CORPORATION

# Performance-TTL6342F-615.25M

## 0611067DC

CH1 S11 LOG MAG REF 0.000 dB 5.000 dB/  
CH2 S21 LOG MAG REF 0.000 dB 10.000 dB/



CENTER 615.25MHz

[ 10.00 dBm ]

SPAN 100MHz

### CH1 MARKER LIST

1:	615.250MHz	-23.264 dB
2:	619.833MHz	-7.454 dB
3:	610.416MHz	-6.598 dB
4:	600.250MHz	-0.228 dB
5:	630.250MHz	-0.605 dB
6:		
7:		
8:		
9:		
10:		

### CH2 MARKER LIST

1:	615.250MHz	-4.539 dB
2:	619.833MHz	-7.507 dB
3:	610.416MHz	-7.529 dB
4:	600.250MHz	-31.470 dB
5:	630.250MHz	-27.108 dB
6:		
7:		
8:		
9:		
10:		