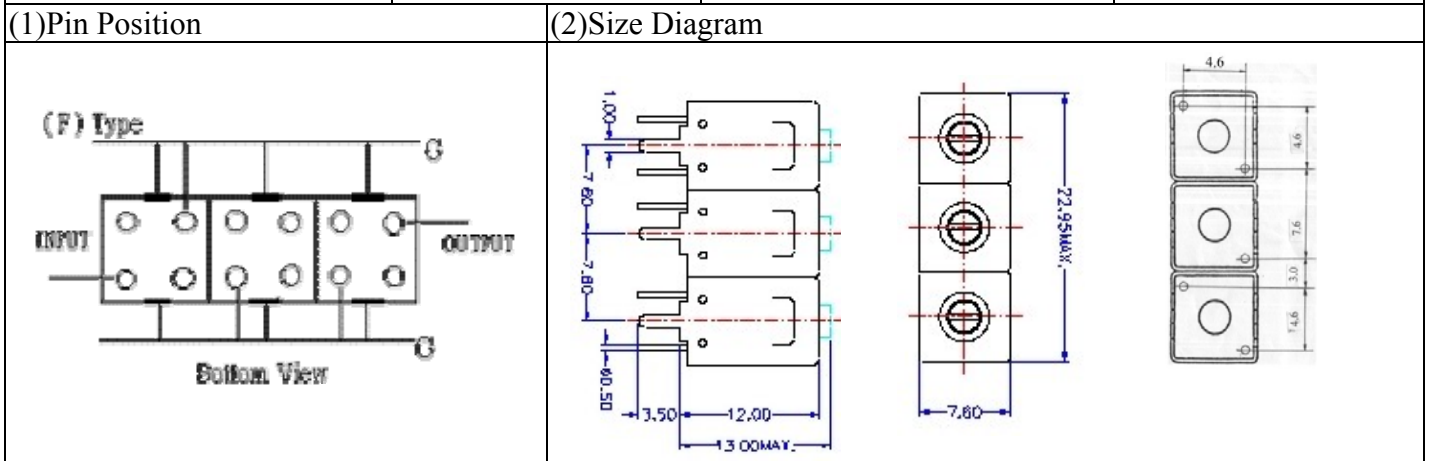


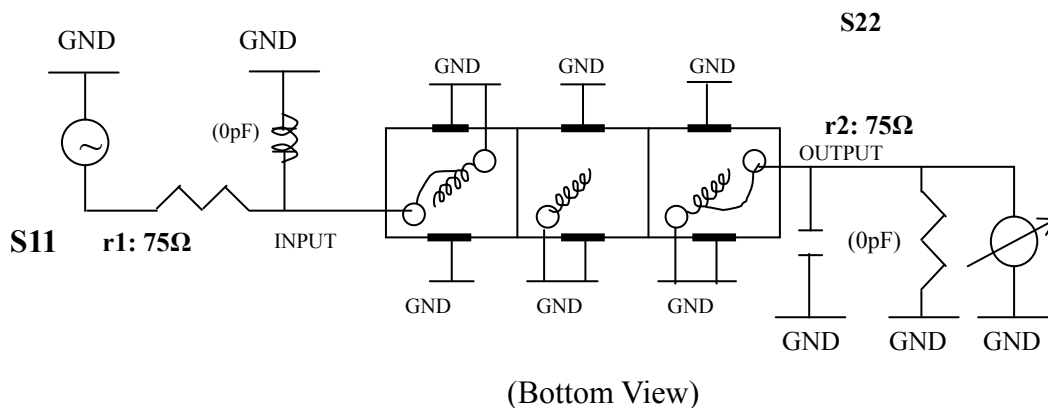
# VHF UHF Helical Filter Specification Sheet

Customer Name		Temwell's Part No.	TTL6335F-573.25M
Approval No. /dated	0611060APR	Acceptable Specify Fo Range	556~615 MHz
Work Instruction No.	0611060DC	Date	Nov.21.2006



(3) Electric Characteristic			
Item		Specify	Performance
Center Freq.(Fo) +/- 0.5 %		573.25 MHz	573.25 MHz
Tunable Range		573.25±5 MHz	573.25±5 MHz
Insertion Loss		Typ. 6.0 dB	4.93 dB
-3 dB Bandwidth		Typ. 6 MHz	9.2 MHz
Sensitivity (Attenuation)	Fo - 15 MHz	Typ. 23 dB	26 dB
	Fo + 15 MHz	Typ. 20 dB	23 dB
	Fo - ( )MHz	Typ. dB	dB
	Fo + ( )MHz	Typ. dB	dB
Return Loss		Min. 12 dB	23.5 dB
Ripple		< 1 dB	dB
Impedance		In / Out : 75 Ω	In / Out : 75 Ω
(4) Torque for Tuning Screw		> 100gf · cm	
(5) Temperature Condition:			
Operating Temperature		-0°C ~ +60°C	
Storage Temperature		-20°C ~ +70°C	
(6) Input Power		> 1 Watt	

(7) Measuring Circuit: ※Easy to match Impedance S11/S22 75Ω by parallel with about(0pF)/(0pF).



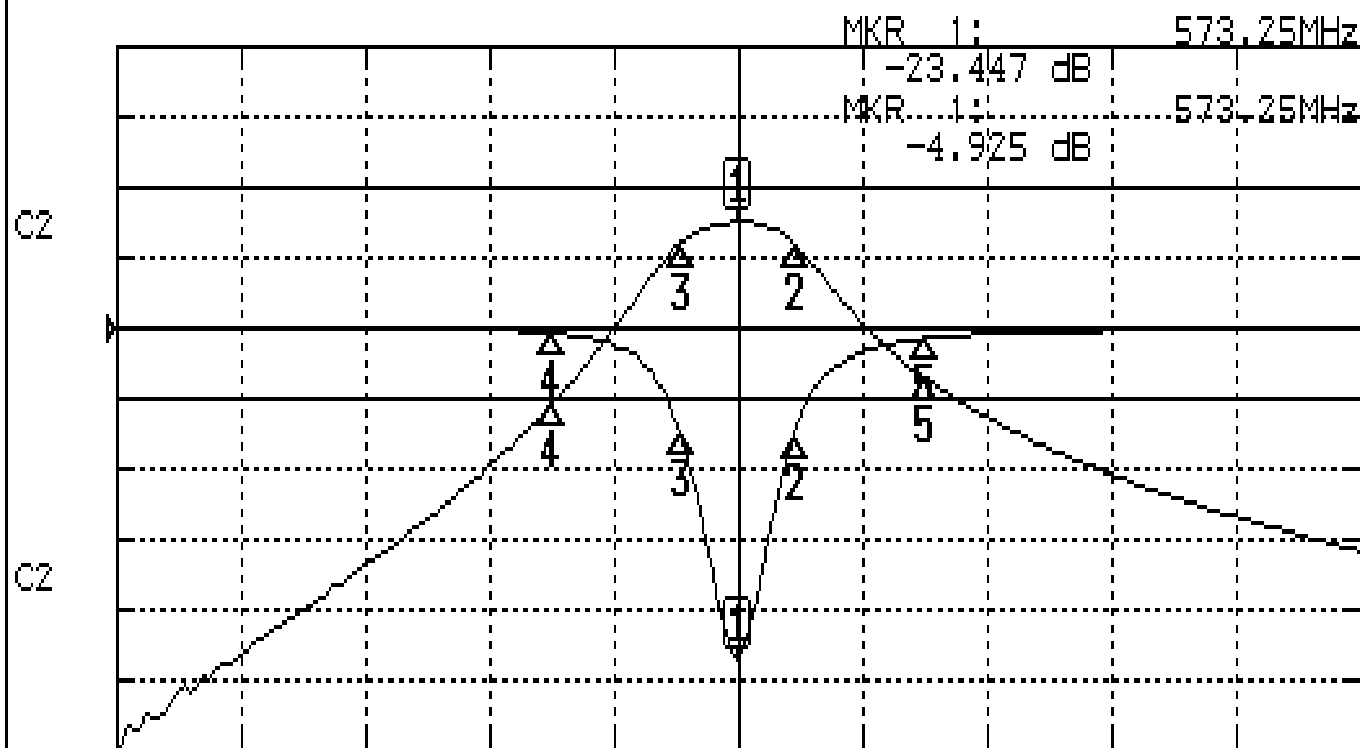
Approval	Supervisor	Designer	Aperture size
C.Y.Chang	C.S.Chang	C.S.Chang	7H3(4*4.65)F 7H046LB4 聚 3

TEMWELL CORPORATION

# Performance-TTL6335F-573.25M

## 0611060DC

CH1 S11 LOG MAG REF 0.000 dB 5.000 dB/  
CH2 S21 LOG MAG REF 0.000 dB 10.000 dB/



CENTER 573.25MHz

[ 10.00 dBm ]

SPAN 100MHz

### CH1 MARKER LIST

1:	573.250MHz	-23.532	dB
2:	577.750MHz	-7.573	dB
3:	568.583MHz	-7.394	dB
4:	558.250MHz	-0.318	dB
5:	588.250MHz	-0.715	dB

### CH2 MARKER LIST

1:	573.250MHz	-4.925	dB
2:	577.750MHz	-8.019	dB
3:	568.583MHz	-7.903	dB
4:	558.250MHz	-30.805	dB
5:	588.250MHz	-27.051	dB