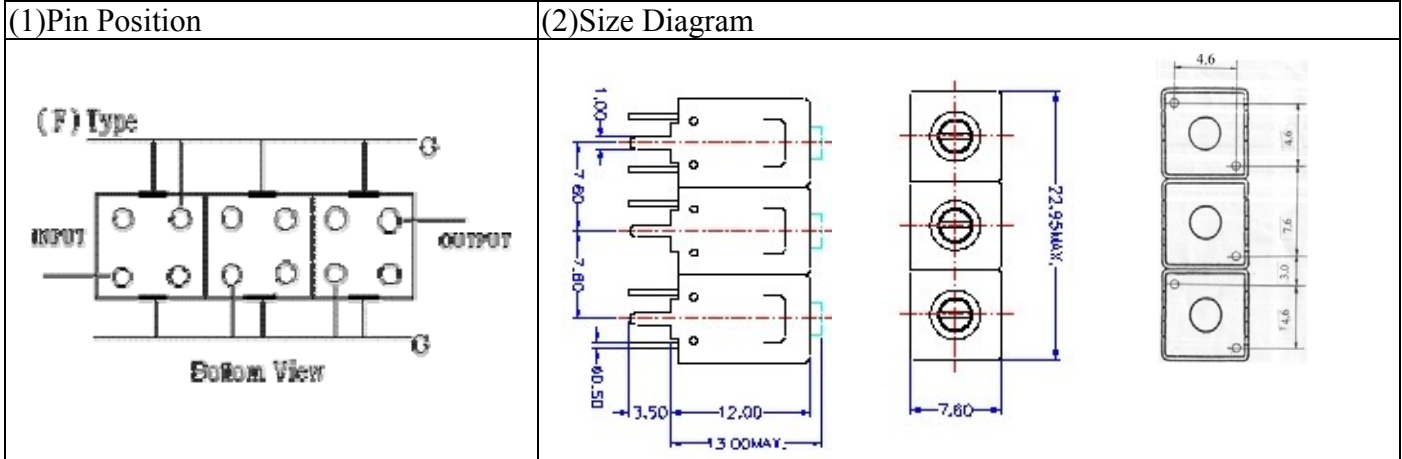


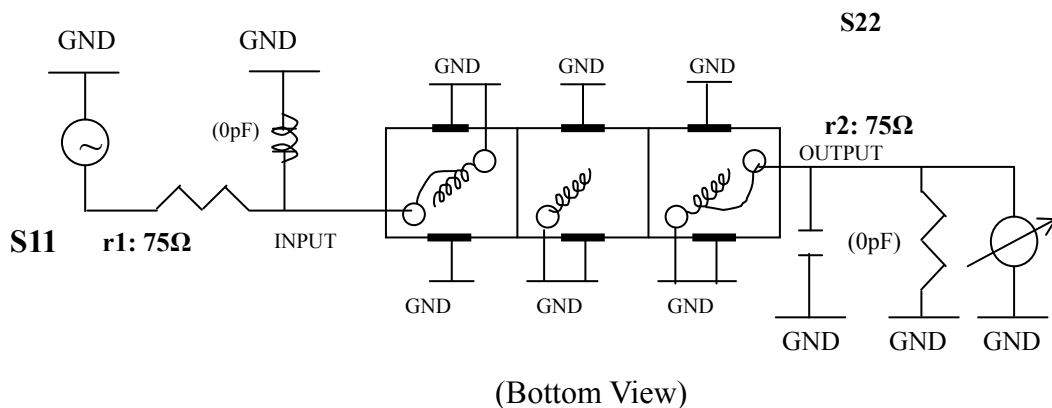
VHF UHF Helical Filter Specification Sheet

Customer Name		Temwell's Part No.	TTL6333F-561.25M
Approval No. /dated	0611058APR	Acceptable Specify Fo Range	556~595 MHZ
Work Instruction No.	0611058DC	Date	Nov.21.2006



(3) Electric Chararistic			
Item	Specify	Performance	
Center Freq.(Fo) +/- 0.5 %	561.25 MHz	561.25 MHz	
Tunable Range	561.25±5 MHz	561.25±5 MHz	
Insertion Loss	Typ. 5.5 dB	4.77 dB	
-3 dB Bandwidth	Typ. 6 MHz	9.4 MHz	
Sensitivity (Attenuation)	Fo - 15 MHz	Typ. 24 dB	27 dB
	Fo + 15 MHz	Typ. 19 dB	22 dB
	Fo - ()MHz	Typ. dB	dB
	Fo +()MHz	Typ. dB	dB
Return Loss	Min. 12 dB	23.3 dB	
Ripple	< 1 dB	dB	
Impedance	In / Out : 75 Ω	In / Out : 75 Ω	
(4) Torque for Tuning Screw			
> 100gf · cm			
(5) Temperature Condition:			
Operating Temperature	-0°C ~ +60°C		
Storage Temperature	-20°C ~ +70°C		
(6) Input Power			
> 1Watt			

(7) Measuring Circuit: ※Easy to match Impedance S11/S22 75Ω by parallel with about(0pF)/(0pF).



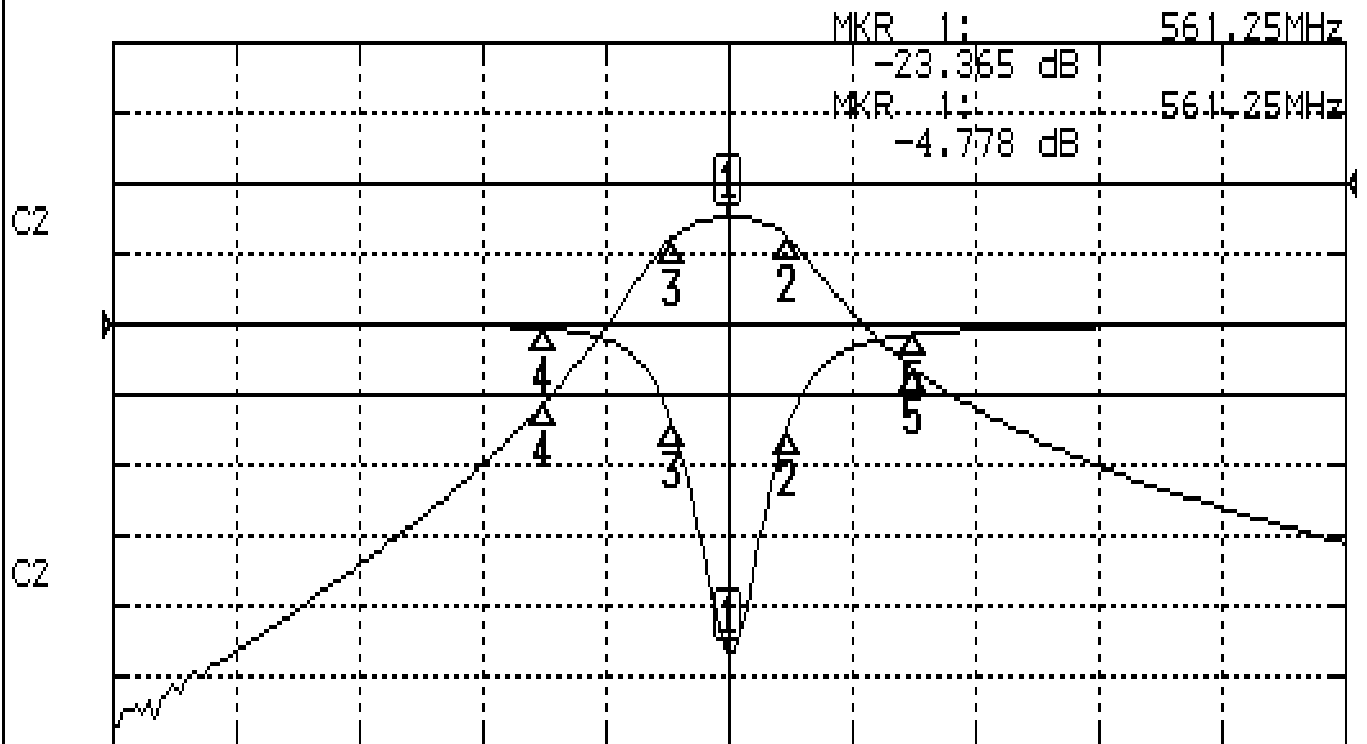
Approval	Supervisor	Designer	Aperture size
C.Y.Chang	C.S.Chang	C.S.Chang	7H3(4*4.65)F 7H046LB4 聚 3

TEMWELL CORPORATION

Performance-TTL6333F-561.25M

0611058DC

CH1 S11 LOG MAG REF 0.000 dB 5.000 dB/
CH2 S21 LOG MAG REF 0.000 dB 10.000 dB/



CENTER 561.25MHz

[10.00 dBm]

SPAN 100MHz

CH1 MARKER LIST

1:	561.250MHz	-23.365	dB
2:	566.000MHz	-7.535	dB
3:	556.666MHz	-7.074	dB
4:	546.250MHz	-0.292	dB
5:	576.250MHz	-0.723	dB

CH2 MARKER LIST

1:	561.250MHz	-4.778	dB
2:	566.000MHz	-7.730	dB
3:	556.666MHz	-7.774	dB
4:	546.250MHz	-31.262	dB
5:	576.250MHz	-26.262	dB