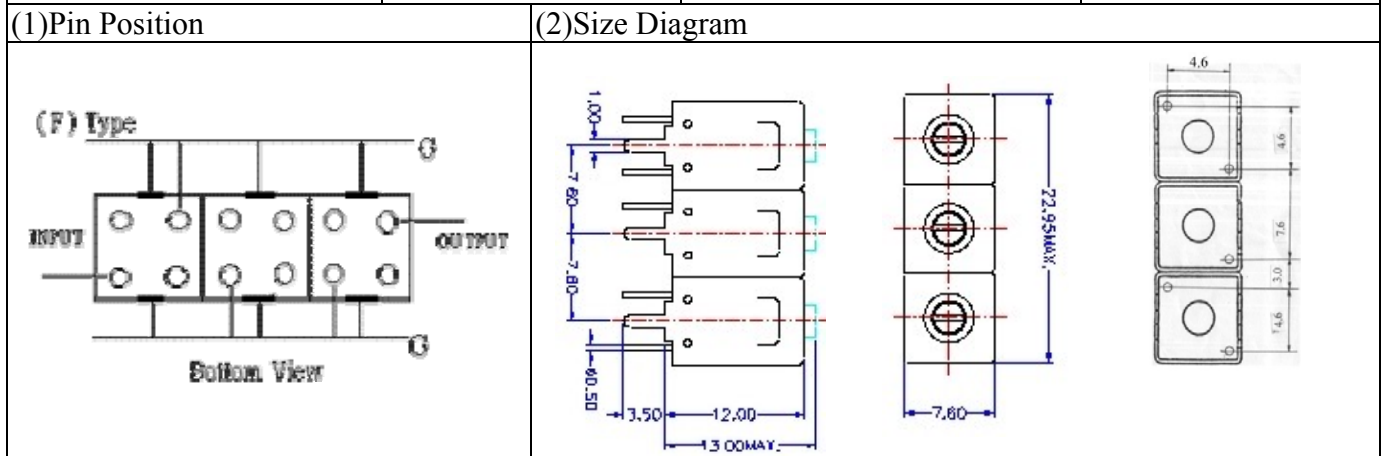


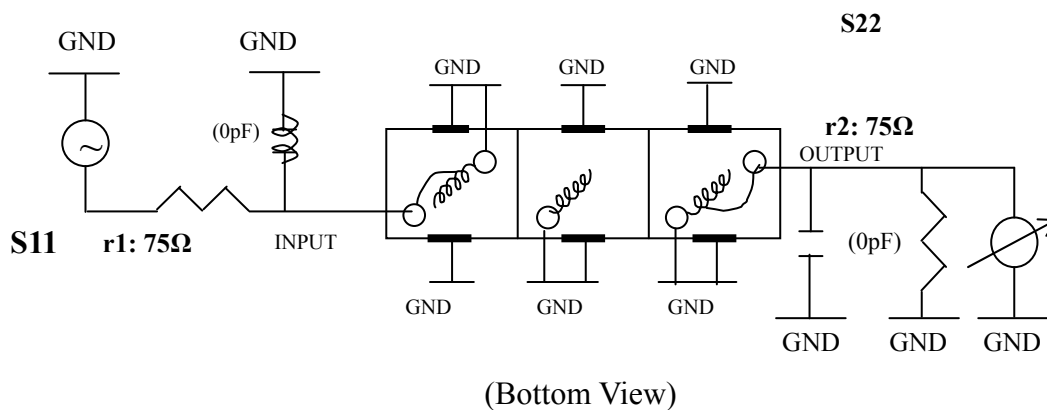
VHF UHF Helical Filter Specification Sheet

Customer Name		Temwell's Part No.	TTL6329F-537.25M
Approval No. /dated	0611054APR	Acceptable Specify Fo Range	516~555 MHZ
Work Instruction No.	0611054DC	Date	Nov.22.2006



(3) Electric Characteristic			
Item		Specify	Performance
Center Freq.(Fo) +/- 0.5 %		537.25 MHz	537.25 MHz
Tunable Range		537.25±5 MHz	537.25±5 MHz
Insertion Loss		Typ. 6.0 dB	4.38 dB
-3 dB Bandwidth		Typ. 6 MHz	9.0 MHz
Sensitivity (Attenuation)	Fo - 15 MHz	Typ. 29 dB	32 dB
	Fo + 15 MHz	Typ. 24 dB	27 dB
	Fo - ()MHz	Typ. dB	dB
	Fo +()MHz	Typ. dB	dB
Return Loss		Min. 12 dB	23.6 dB
Ripple		< 1 dB	dB
Impedance		In / Out : 75 Ω	In / Out : 75 Ω
(4) Torque for Tuning Screw		> 60gf • cm	
(5) Temperature Condition:			
Operating Temperature		-0°C ~ +60°C	
Storage Temperature		-20°C ~ +70°C	
(6) Input Power		> 1Watt	

(7) Measuring Circuit: ※Easy to match Impedance S11/S22 75Ω by parallel with about(0pF)/(0pF).



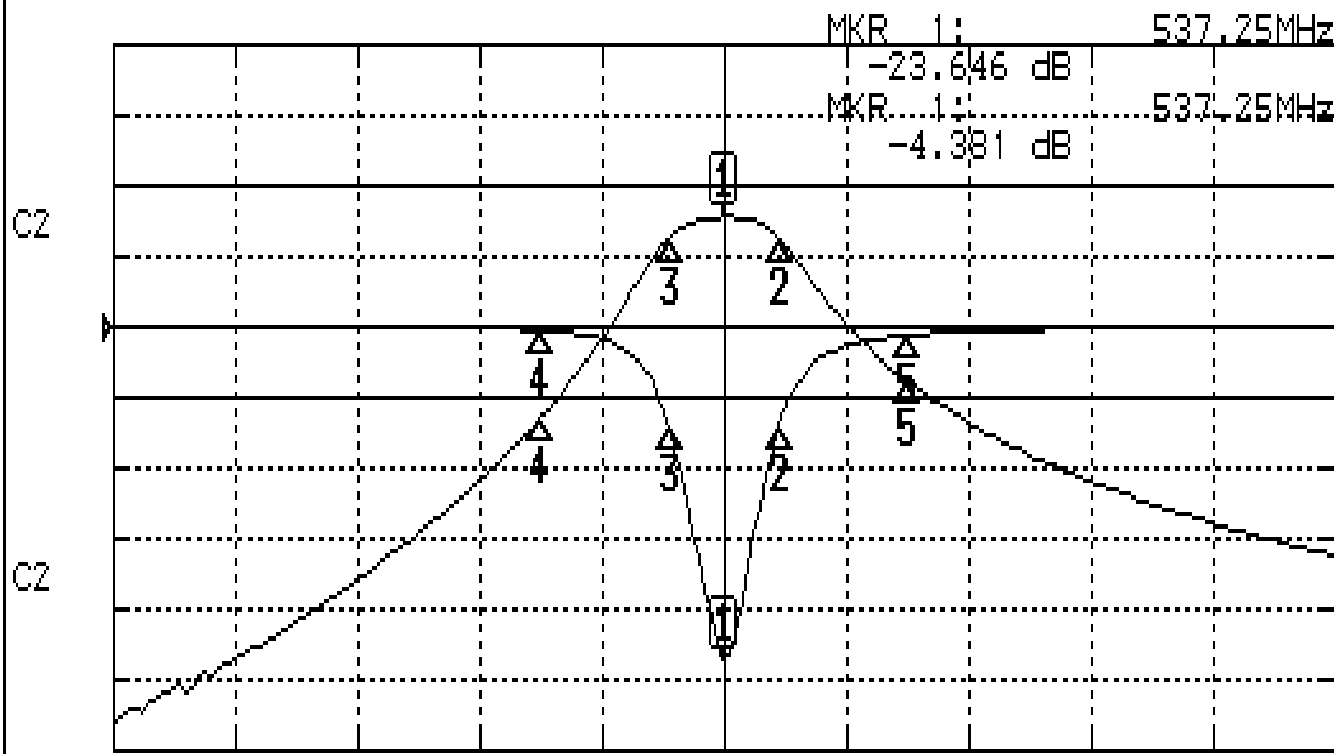
Approval	Supervisor	Designer	Aperture size
C.Y.Chang	C.S.Chang	C.S.Chang	7H3(4*4.65)F 7H046LB4 聚 3

TEMWELL CORPORATION

Performance-TTL6329F-537.25M

0611054DC

CH1 S11 LOG MAG REF 0.000 dB 5.000 dB/
CH2 S21 LOG MAG REF 0.000 dB 10.000 dB/



CENTER 537.25MHz

[10.00 dBm]

SPAN 100MHz

CH1 MARKER LIST

1	537.250MHz	-23.646	dB
2	541.750MHz	-7.119	dB
3	532.750MHz	-7.004	dB
4	522.250MHz	-0.230	dB
5	552.250MHz	-0.551	dB

CH2 MARKER LIST

1	537.250MHz	-4.381	dB
2	541.750MHz	-7.358	dB
3	532.750MHz	-7.433	dB
4	522.250MHz	-32.967	dB
5	552.250MHz	-27.761	dB