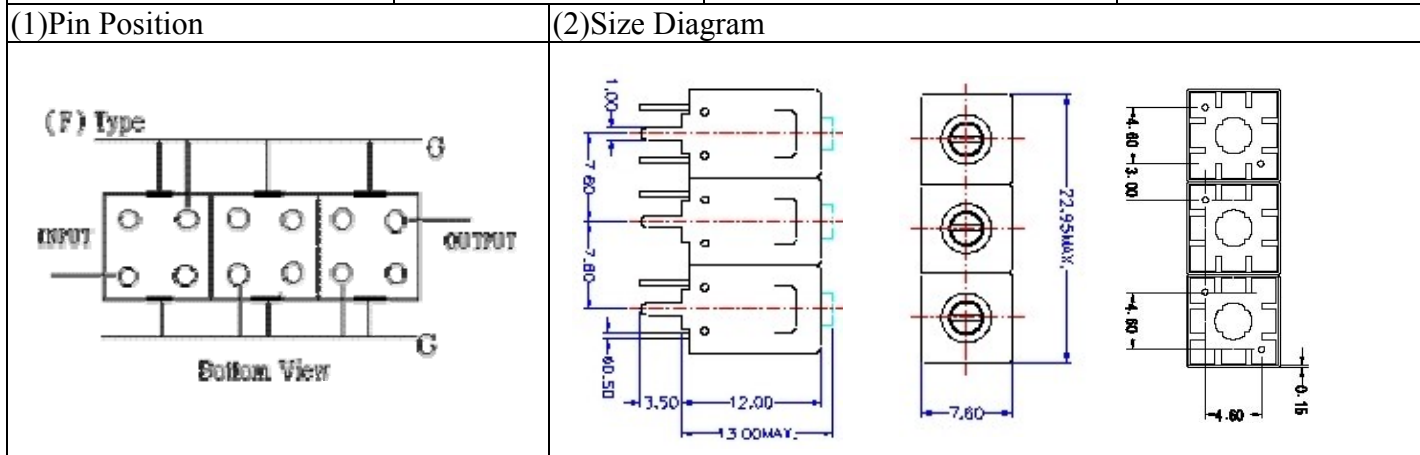


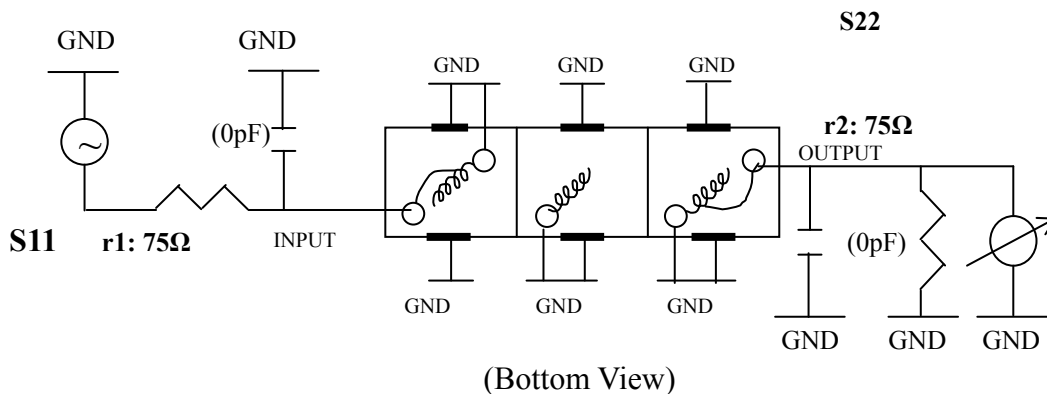
VHF UHF Helical Filter Specification Sheet

Customer Name		Temwell's Part No.	TTL6328F-593M
Approval No. /dated	0711103APR	Temwell's print name	6328F 593M
Work Instruction No.	0711103C	Date	Dec.24.2007



(3) Electric Characteristic			
Item		Specify	Performance
Center Freq.(Fo) +/- 0.5 %		593 MHz	593 MHz
Tunable Range:		593±5 MHz	593±5 MHz
Insertion Loss		Typ. 6.0 dB	4.23 dB
-3 dB Bandwidth		Typ. 6 MHz	9.2 MHz
Sensitivity (Attenuation)	Fo - 15 MHz	Typ. 30 dB	30 dB
	Fo + 15 MHz	Typ. 25 dB	25 dB
	Fo - ()MHz	Typ. dB	dB
	Fo + ()MHz	Typ. dB	dB
Return Loss		Min. 12 dB	21.4 dB
Ripple		< 1 dB	dB
Impedance		In / Out : 75 Ω	In / Out : 75 Ω
(4) Torque for Tuning Screw > 60gf · cm			
(5) Temperature Condition:			
Operating Temperature		0°C ~ +60°C	
Storage Temperature		-20°C ~ +70°C	
(6) Input Power		> 1 Watt	

(7) Measuring Circuit: ※Easy to match Impedance S11/S22 75Ω by parallel with about(0pF) / (0pF).



Approval C.Y.Chang	Supervisor C.S.Chang	Designer J.F.Lin	Aperture size 7H3(4*4.65)F 7H046LB4 聚 3
-----------------------	-------------------------	---------------------	---

TEMWELL CORPORATION

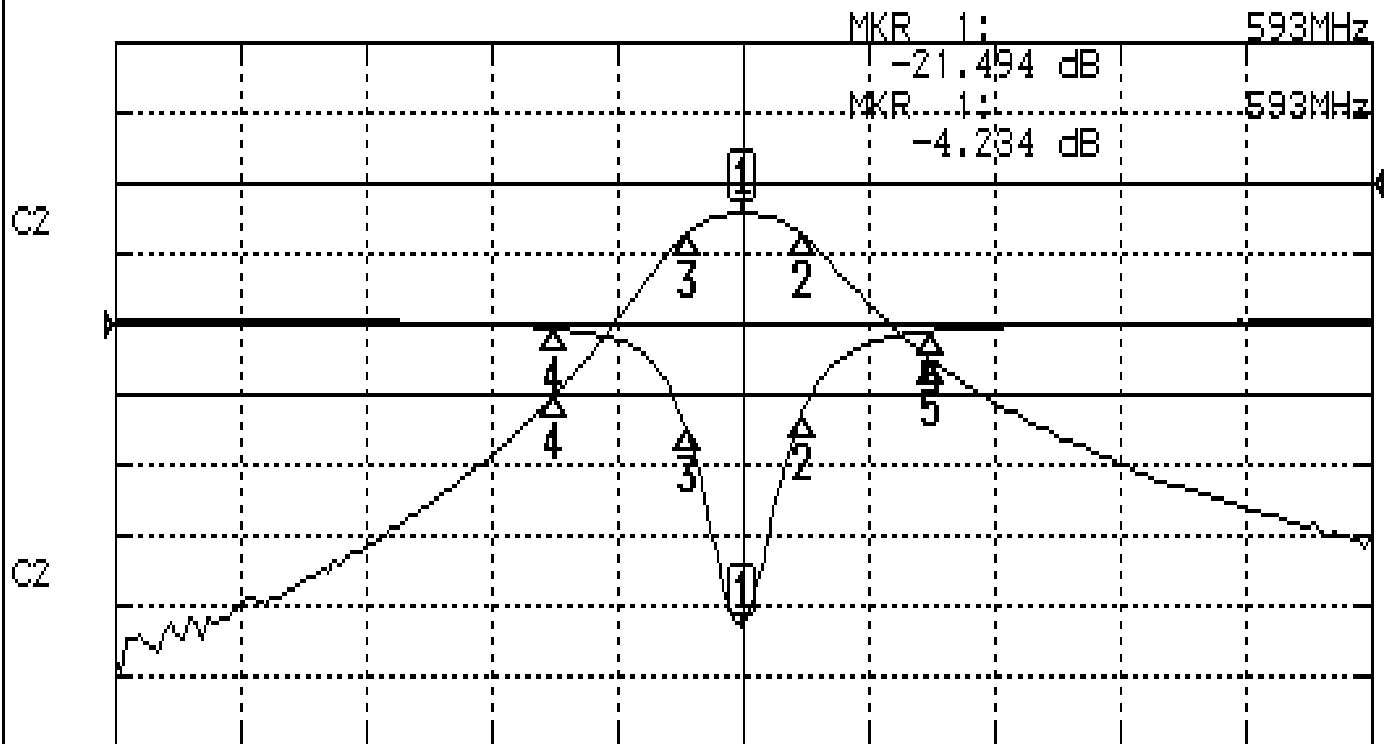
TEMWELL

Form10-7H3F Vision D RP(J.F.Lin)

Performance-TTL6328F-593M

0711103C

CH1 S11 LOG MAG REF 0.000 dB 5.000 dB/
CH2 S21 LOG MAG REF 0.000 dB 10.000 dB/



CENTER 593MHz

[10.00 dBm]

SPAN 100MHz

CH1 MARKER LIST

Marker	Frequency (MHz)	Magnitude (dB)
1	593.000	-21.494
2	597.750	-16.342
3	598.500	-7.305
4	578.000	-0.282
5	608.000	-0.464

CH2 MARKER LIST

Marker	Frequency (MHz)	Magnitude (dB)
1	593.000	-4.236
2	597.750	-7.289
3	598.500	-7.211
4	578.000	-30.110
5	608.000	-25.011