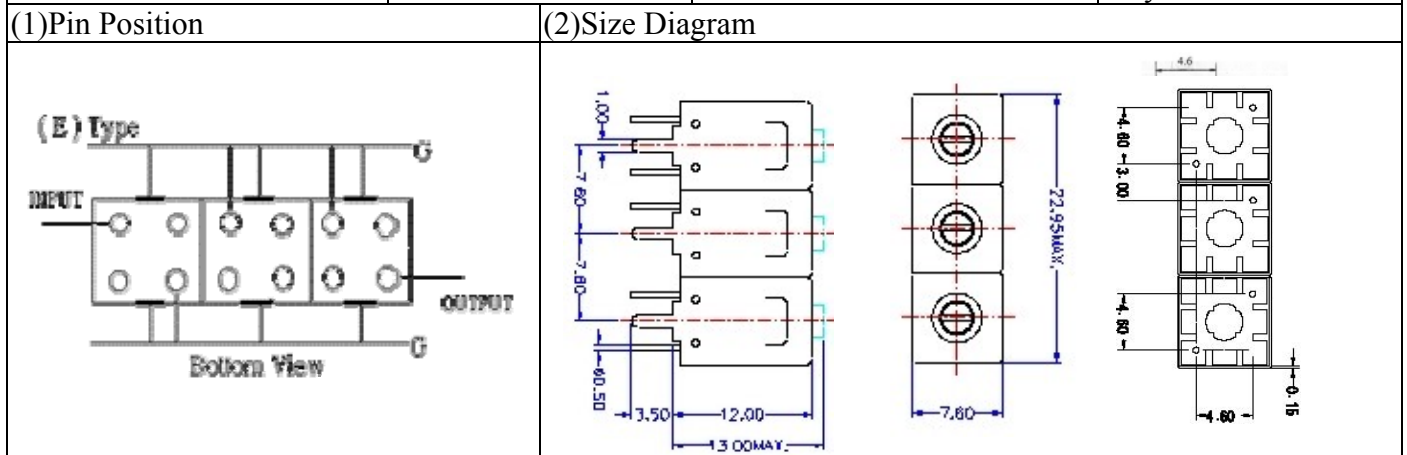


VHF UHF Helical Filter Specification Sheet

Customer Name		Temwell's Part No.	TTL6328E-593M
Approval No. /dated	0805044CD	Customer's Part No.	6328E 593M
Work Instruction No.	0805044CD	Date	May.15.2008



(3) Electric Characteristic			
Item		Specify	Performance
Center Freq.(Fo) +/- 0.5 %		593 MHz	593 MHz
Tunable Range:		593±5 MHz	593±5 MHz
Insertion Loss		Typ. 5.0 dB	4.10 dB
-3 dB Bandwidth		Typ. 6 MHz	9.2 MHz
Sensitivity (Attenuation)	Fo - 15 MHz	Typ. 17 dB	20 dB
	Fo + 15 MHz	Typ. 18 dB	21 dB
	Fo - ()MHz	Typ. dBc	dBc
	Fo +()MHz	Typ. dBc	dBc
Return Loss		Min. 12 dB	22.7 dB
Ripple		< 1 dB	dB
Impedance		In / Out : 75 Ω	In / Out : 75 Ω

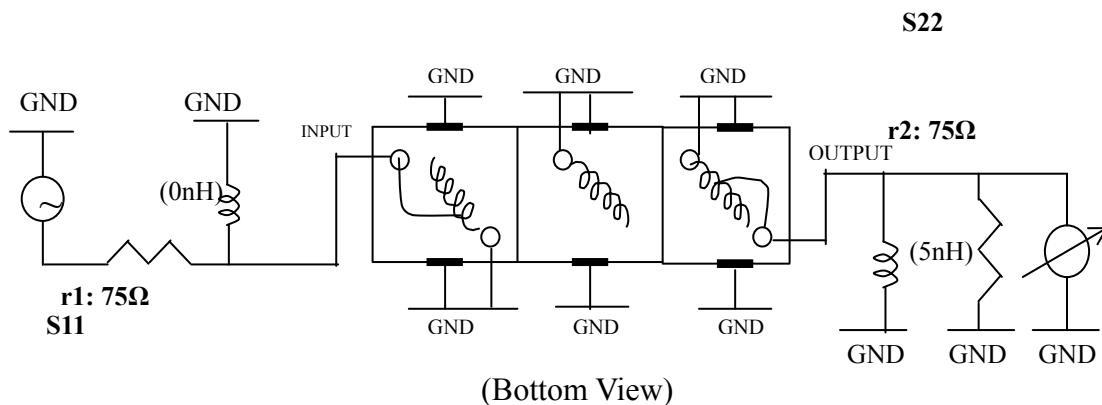
(4) Torque for Tuning Screw > 100gf · cm

(5) Temperature Condition:

Operating Temperature	0°C ~ +60°C
Storage Temperature	-20°C ~ +70°C

(6) Input Power > 1Watt

(7) Measuring Circuit: ※Easy to match Impedance S11/S22 75Ω by parallel with about(0 nH) / (5 nH).



Approval	Supervisor	Designer	Aperture size
C.Y.Chang	C.S.Chang	C.S.Chang	7H3(4*4.5) 7H046LB4 聚 3

TEMWELL CORPORATION

TEMWELL

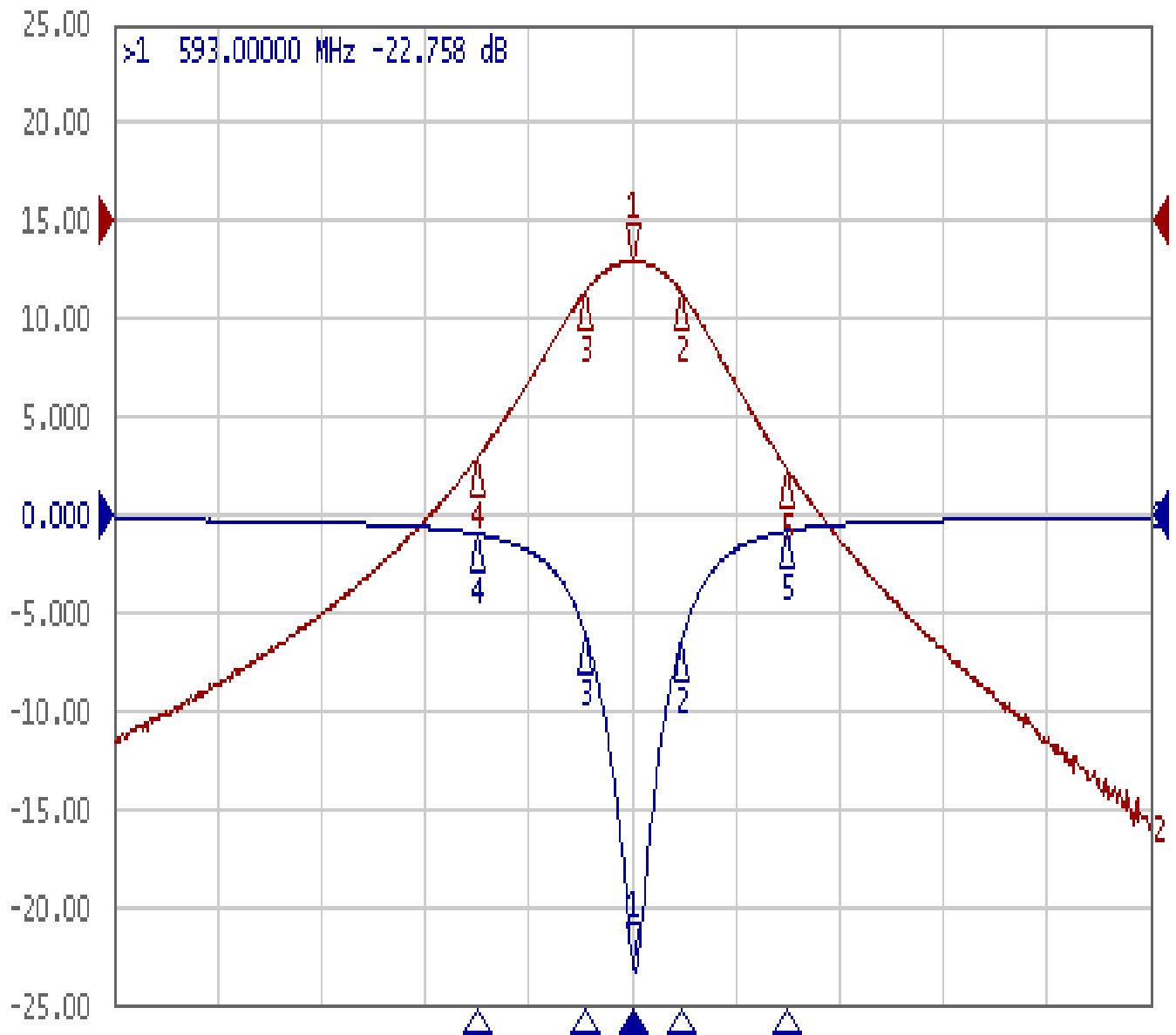
Form10-7H3E Vision D

RP:C.S.Chang

Performance-TTL6328E-593M

0805044CD

Tr1 S11 Log Mag 5.000dB/ Ref 0.000dB [F2]
Tr2 S21 Log Mag 10.00dB/ Ref 0.000dB [F2]



1 Center 593 MHz

IFBW 10 kHz

Span 100 MHz

C?

Ch1	Tr1	S11	>1	593.00000	MHz	-22.758	dB
Ch1	Tr1	S11	2	597.66825	MHz	-6.6056	dB
Ch1	Tr1	S11	3	588.45675	MHz	-6.0814	dB
Ch1	Tr1	S11	4	578.00000	MHz	-0.9882	dB
Ch1	Tr1	S11	5	608.00000	MHz	-0.8148	dB
Ch1	Tr2	S21	1	593.00000	MHz	-4.1050	dB
Ch1	Tr2	S21	2	597.66825	MHz	-7.1943	dB
Ch1	Tr2	S21	3	588.45675	MHz	-7.1783	dB
Ch1	Tr2	S21	4	578.00000	MHz	-24.261	dB
Ch1	Tr2	S21	5	608.00000	MHz	-25.391	dB