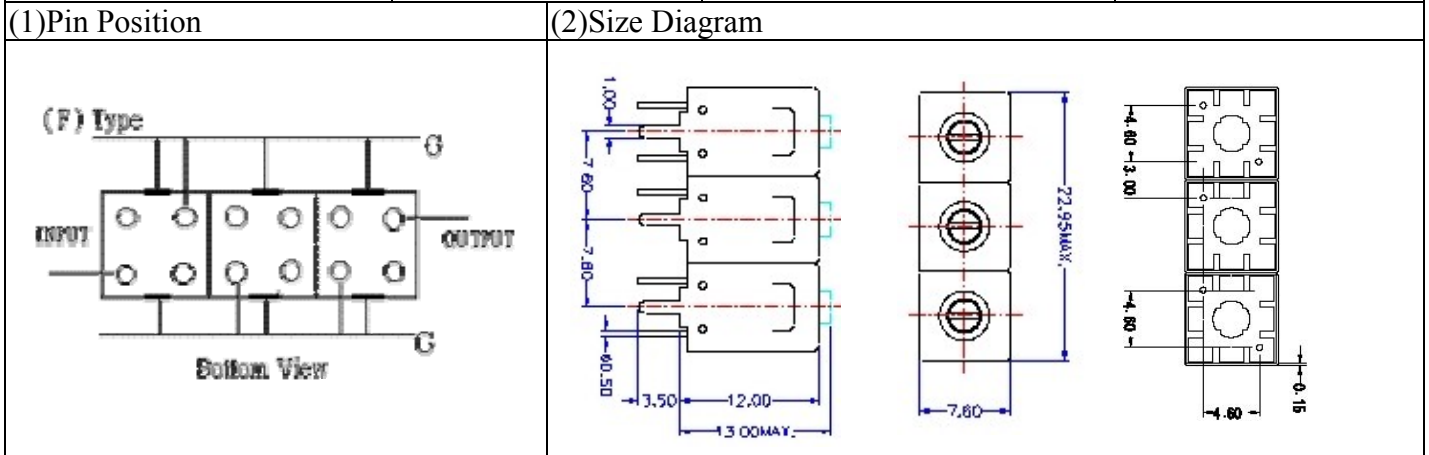


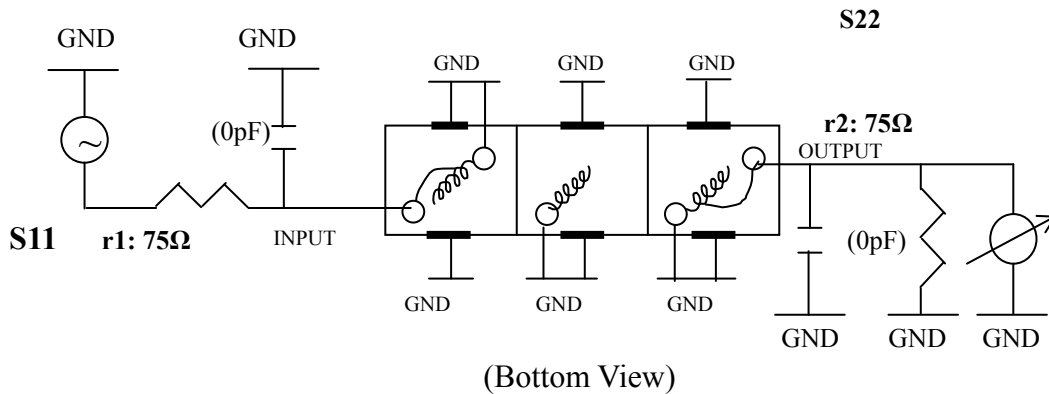
VHF UHF Helical Filter Specification Sheet

Customer Name		Temwell's Part No.	TTL6326F-557M
Approval No. /dated	0711101APR	Temwell's print name	6326F 557M
Work Instruction No.	0711101C	Date	Dec.21.2007



(3) Electric Characteristic			
Item		Specify	Performance
Center Freq.(Fo) +/- 0.5 %		557 MHz	557 MHz
Tunable Range:		557±5 MHz	557±5 MHz
Insertion Loss		Typ. 6.0 dB	4.09 dB
-3 dB Bandwidth		Typ. 6 MHz	8.6 MHz
Sensitivity (Attenuation)	Fo - 15 MHz	Typ. 28 dB	28 dB
	Fo + 15 MHz	Typ. 23 dB	24 dB
	Fo - ()MHz	Typ. dB	dB
	Fo + ()MHz	Typ. dB	dB
Return Loss		Min. 12 dB	21.0 dB
Ripple		< 1 dB	dB
Impedance		In / Out : 75 Ω	In / Out : 75 Ω
(4) Torque for Tuning Screw > 60gf · cm			
(5) Temperature Condition:			
Operating Temperature		0°C ~ +60°C	
Storage Temperature		-20°C ~ +70°C	
(6) Input Power		> 1 Watt	

(7) Measuring Circuit: ※Easy to match Impedance S11/S22 75Ω by parallel with about(0pF) / (0pF).



Approval	Supervisor	Designer	Aperture size
C.Y.Chang	C.S.Chang	J.F.Lin	7H3(4*4.65)F 7H046LB4 聚 3

TEMWELL CORPORATION

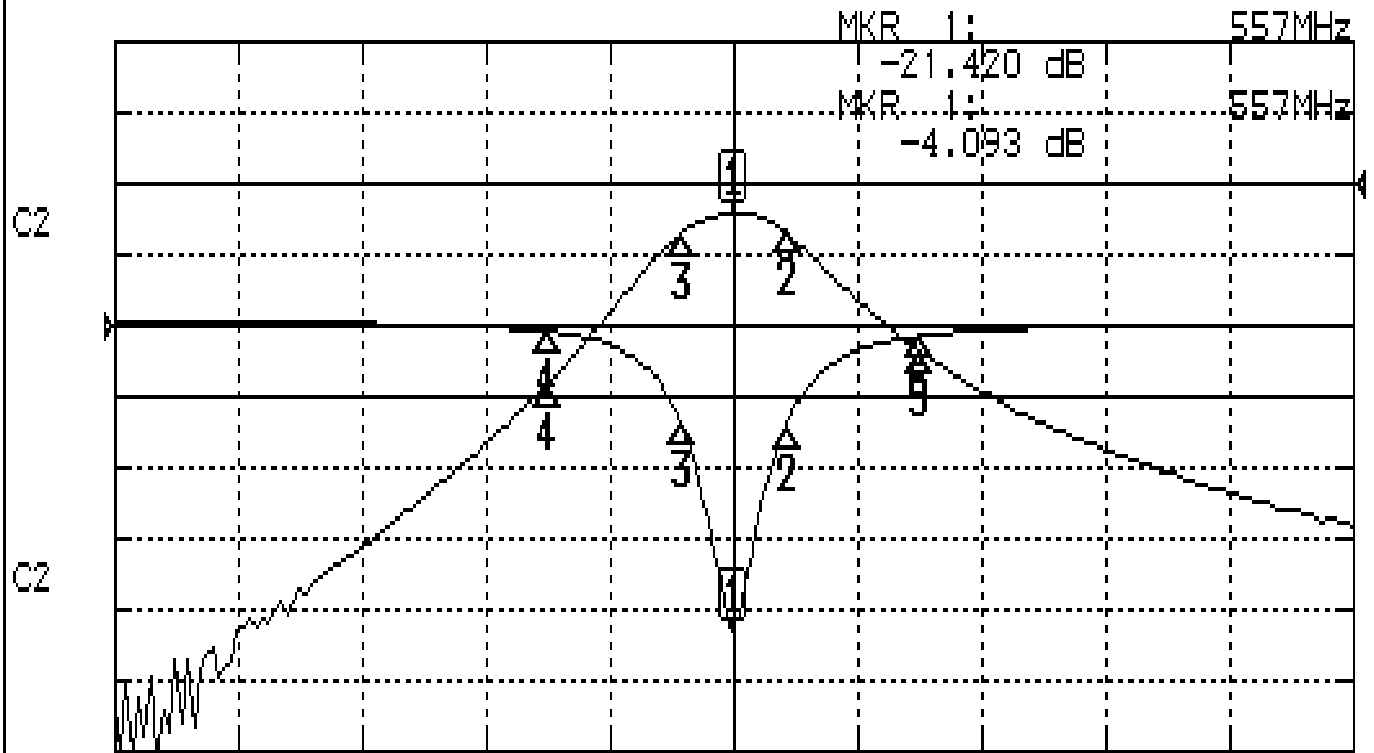
TEMWELL

Form10-7H3F Vision D RP(J.F.Lin)

Performance-TTL6326F-557M

0711101C

CH1 S11 LOG MAG REF 0.000 dB 5.000 dB/
CH2 S21 LOG MAG REF 0.000 dB 10.000 dB/



CENTER 557MHz

[10.00 dBm]

SPAN 100MHz

CH1 MARKER LIST

1:	557.000MHz	-21.420	dB
2:	561.333MHz	-6.857	dB
3:	552.750MHz	-6.822	dB
4:	542.000MHz	-0.375	dB
5:	572.000MHz	-0.688	dB

CH2 MARKER LIST

1:	557.000MHz	-4.093	dB
2:	561.333MHz	-7.010	dB
3:	552.750MHz	-7.024	dB
4:	542.000MHz	-28.044	dB
5:	572.000MHz	-23.517	dB