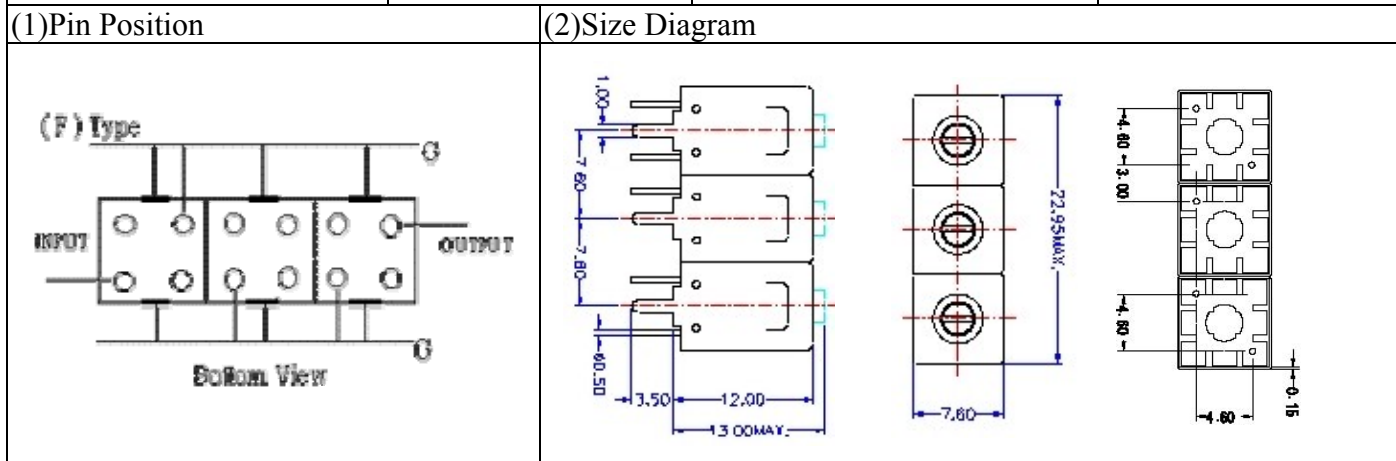


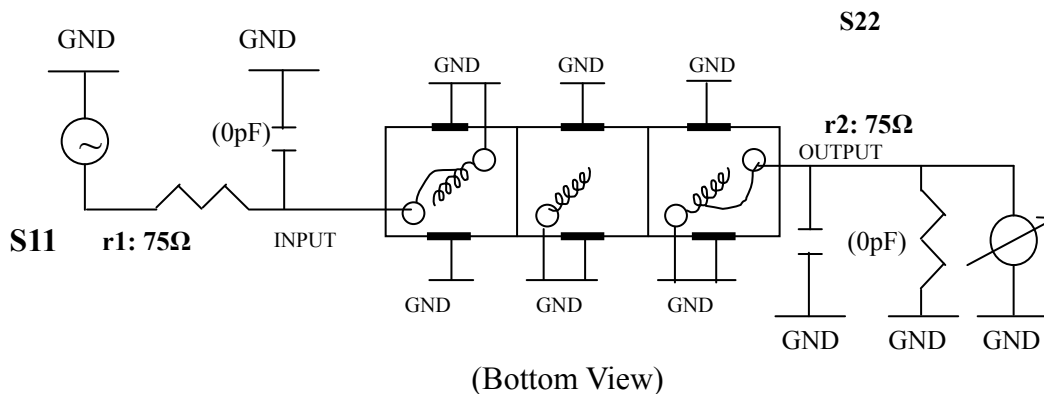
VHF UHF Helical Filter Specification Sheet

Customer Name		Temwell's Part No.	TTL63258F-199.25M
Approval No. /dated	0809131CD	Temwell's print name	63258F 199.25M
Work Instruction No.	200809131CD	Date	Oct.14.2008



(3) Electric Characteristic		Item	Specify	Performance
Center Freq.(Fo) +/- 0.5 %			199.25 MHz	199.25 MHz
Tunable Range:			199.25±2 MHz	199.25±2 MHz
Insertion Loss			Typ. 4.0 dB	2.78 dB
-3 dB Bandwidth			Typ. 6 MHz	7.3 MHz
Sensitivity (Attenuation)	Fo - 15 MHz	Typ. 32 dB		35 dB
	Fo + 15 MHz	Typ. 25 dB		28 dB
	Fo - ()MHz	Typ. dB		dB
	Fo +()MHz	Typ. dB		dB
Return Loss			Min. 12 dB	23.5 dB
Ripple			< 1 dB	dB
Impedance			In / Out : 75 Ω	In / Out : 75 Ω
(4) Torque for Tuning Screw			> 100gf · cm	
(5) Temperature Condition:				
Operating Temperature			0°C ~ +60°C	
Storage Temperature			-20°C ~ +70°C	
(6) Input Power			> 1Watt	

(7) Measuring Circuit: ※Easy to match Impedance S11/S22 75Ω by parallel with about(0pF) / (0pF).



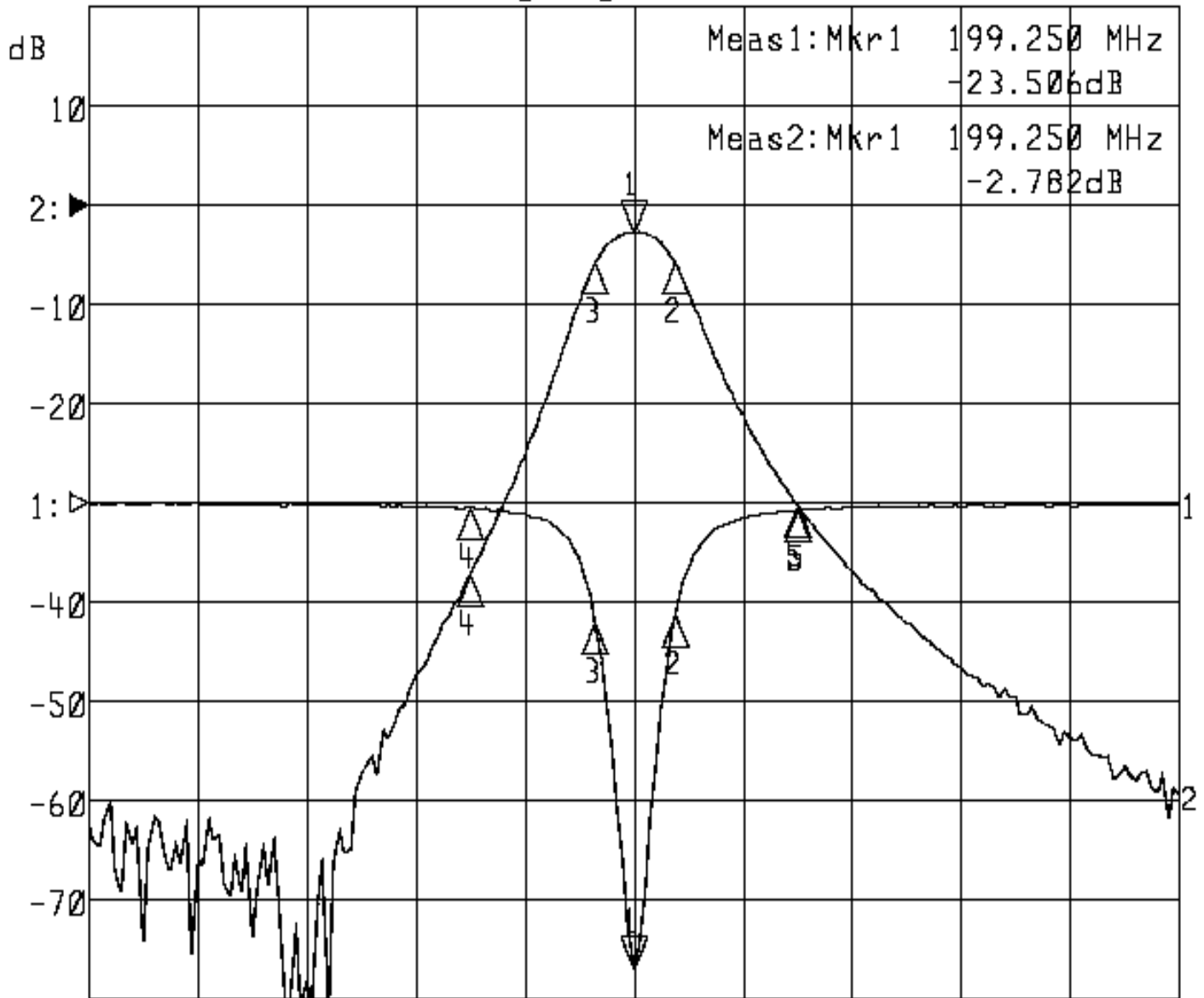
Approval	Supervisor	Designer	Aperture size
C.Y.Chang	C.S.Chang	Y.H.Yeh	7H3S(4*5.5F) 7H024LB4

TEMWELL CORPORATION

Performace-TTL63258F-199.25M

200809131CD

▷1:S11 Refl Port1 Log Mag 5.0 dB/ Ref 0.00 dB C
 ▶2:S21 Fwd Trans Log Mag 10.0 dB/ Ref 0.00 dB C



Center 199.250 MHz

Span 100.000 MHz

1: Mkr (MHz)	dB	2: Mkr (MHz)	dB
1> 199.2500	-23.506	1> 199.2500	-2.782
2: 203.0167	-5.676	2: 203.0167	-5.747
3: 195.7167	-5.959	3: 195.7167	-5.773
4: 184.2500	-0.239	4: 184.2500	-37.141
5: 214.2500	-0.366	5: 214.2500	-30.257