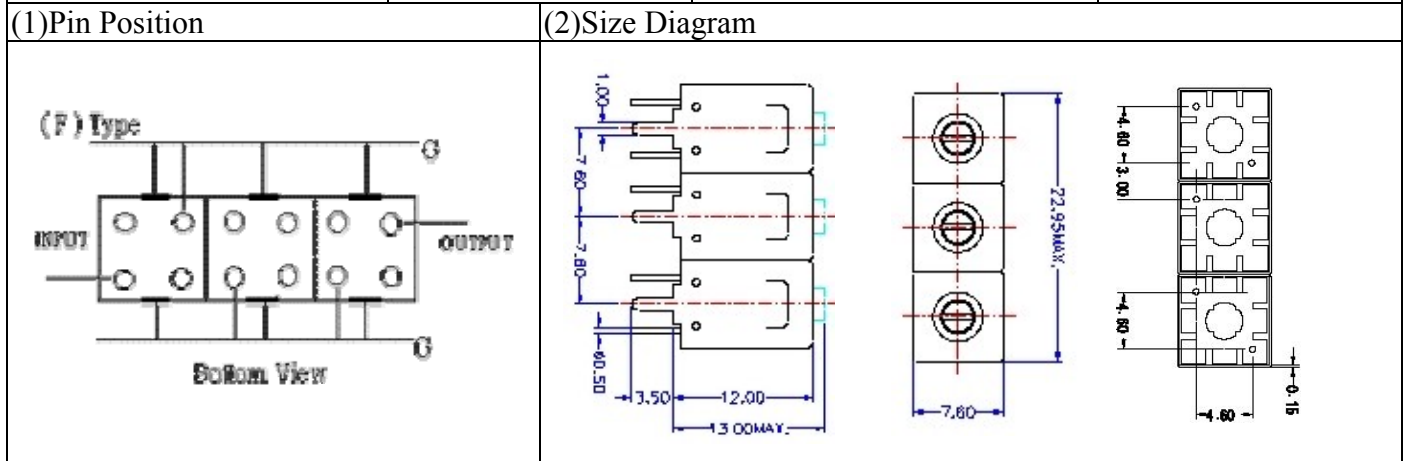


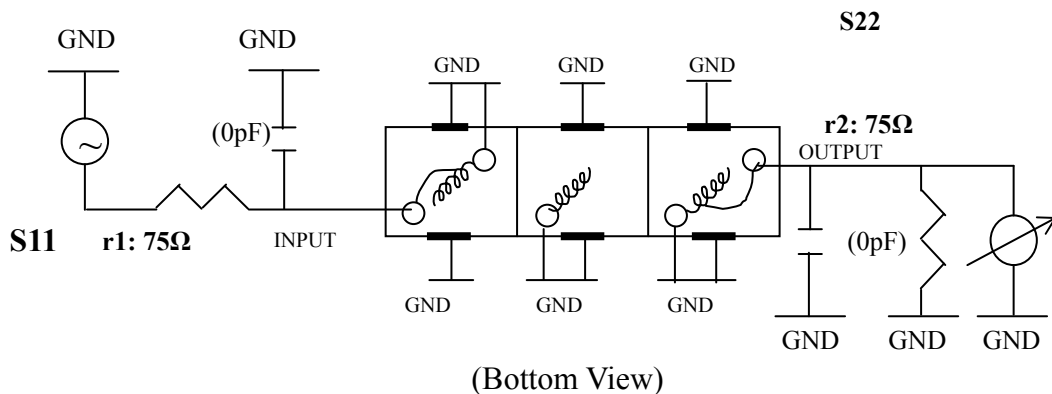
# VHF UHF Helical Filter Specification Sheet

Customer Name		Temwell's Part No.	TTL63255F-181.25M
Approval No. /dated	0809128CD	Temwell's print name	63255F 181.25M
Work Instruction No.	200809128CD	Date	Oct.06.2008



(3) Electric Characteristic			
Item	Specify	Performance	
Center Freq.(Fo) +/- 0.5 %	181.25 MHz	181.25 MHz	
Tunable Range:	181.25±2 MHz	181.25±2 MHz	
Insertion Loss	Typ. 3.5 dB	2.44 dB	
-3 dB Bandwidth	Typ. 6 MHz	7.7 MHz	
Sensitivity (Attenuation)	Fo - 15 MHz	Typ. 33 dB	36 dB
	Fo + 15 MHz	Typ. 25 dB	28 dB
	Fo - ( )MHz	Typ. dB	dB
	Fo +( )MHz	Typ. dB	dB
Return Loss	Min. 12 dB	25.3 dB	
Ripple	< 1 dB	dB	
Impedance	In / Out : 75 Ω	In / Out : 75 Ω	
(4) Torque for Tuning Screw			
> 100gf · cm			
(5) Temperature Condition:			
Operating Temperature	0°C ~ +60°C		
Storage Temperature	-20°C ~ +70°C		
(6) Input Power			
> 1Watt			

(7) Measuring Circuit: ※Easy to match Impedance S11/S22 75Ω by parallel with about( 0pF) / (0pF).

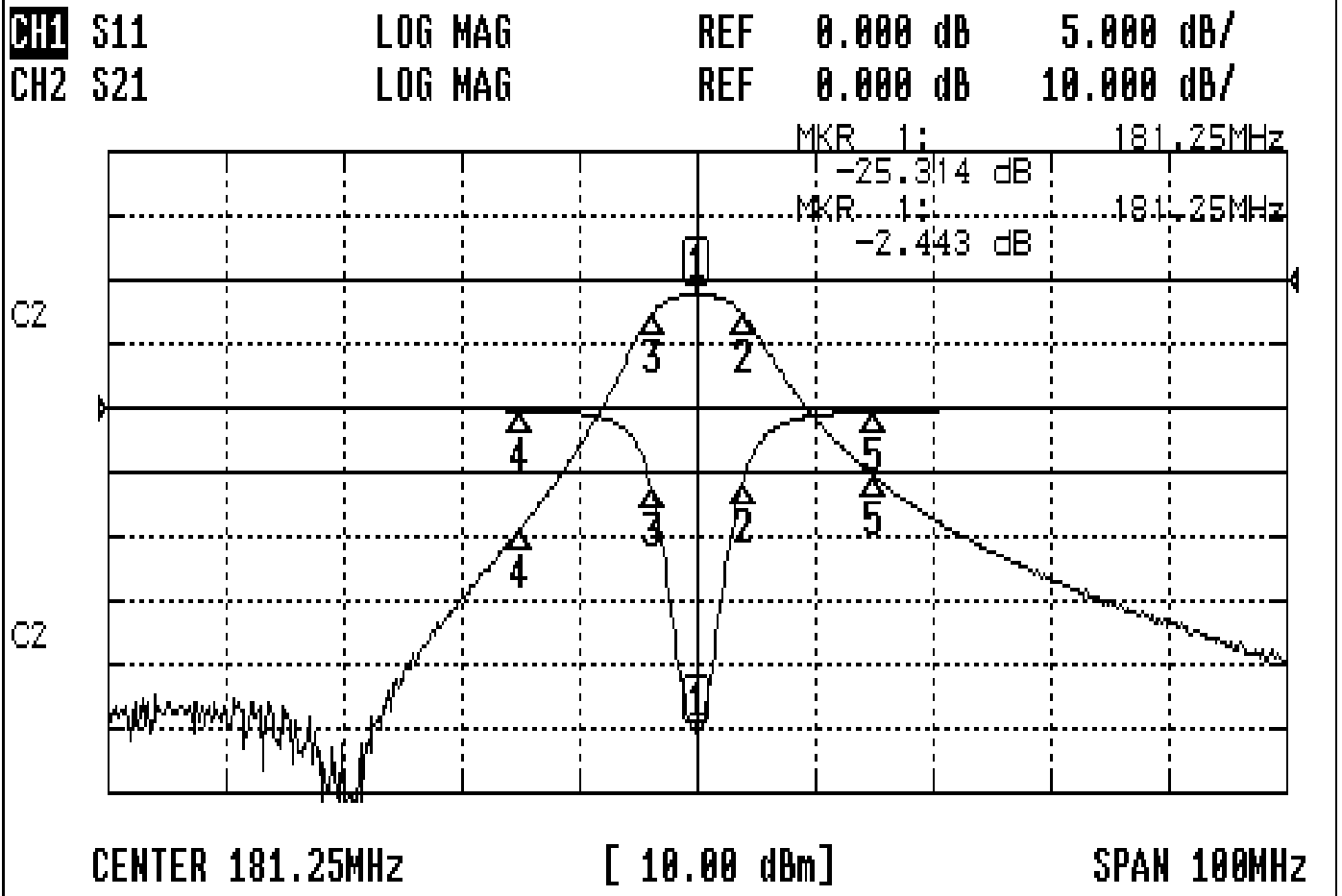


Approval	Supervisor	Designer	Aperture size
C.Y.Chang	C.S.Chang	P.H.Chiang	7H3S(4*6.35F) 7H024LB4

TEMWELL CORPORATION

# Performace-TTL63255F-181.25M

## 200809128CD



### CH1 MARKER LIST

1	181.250MHz	-25.314	dB
2	185.166MHz	-5.807	dB
3	177.416MHz	-6.064	dB
4	166.250MHz	-0.170	dB
5	196.250MHz	-0.264	dB

### CH2 MARKER LIST

1	181.250MHz	-2.443	dB
2	185.166MHz	-5.348	dB
3	177.416MHz	-5.475	dB
4	166.250MHz	-30.999	dB
5	196.250MHz	-30.577	dB