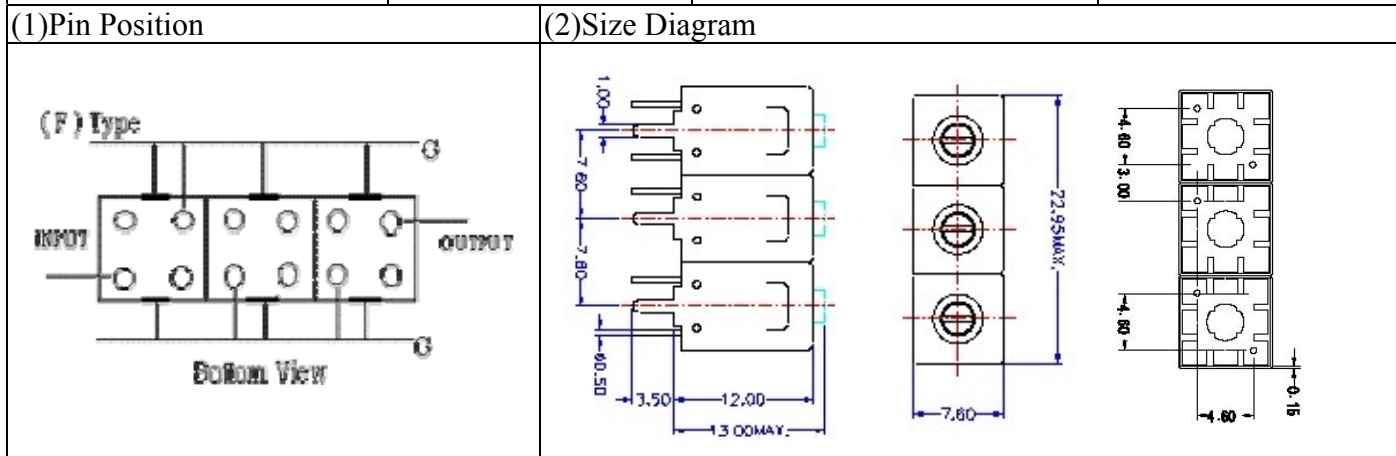


VHF UHF Helical Filter Specification Sheet

Customer Name		Temwell's Part No.	TTL63252F-77.25M
Approval No. /dated	0809125CD	Temwell's print name	63252F 77.25M
Work Instruction No.	200809125CD	Date	Oct.03.2008



(3) Electric Charasteric

Item	Specify	Performance
Center Freq.(Fo) +/- 0.5 %	77.25 MHz	77.25 MHz
Tunable Range:	77.25±2 MHz	77.25±2 MHz
Insertion Loss	Typ. 3.5 dB	2.49 dB
-3 dB Bandwidth	Typ. 6 MHz	7.8 MHz
Sensitivity (Attenuation)	Fo - 15 MHz	Typ. 39 dB
	Fo + 15 MHz	Typ. 30 dB
	Fo - ()MHz	Typ. dB
	Fo +()MHz	Typ. dB
Return Loss	Min. 12 dB	22.2 dB
Ripple	< 1 dB	dB
Impedance	In / Out : 75 Ω	In / Out : 75 Ω

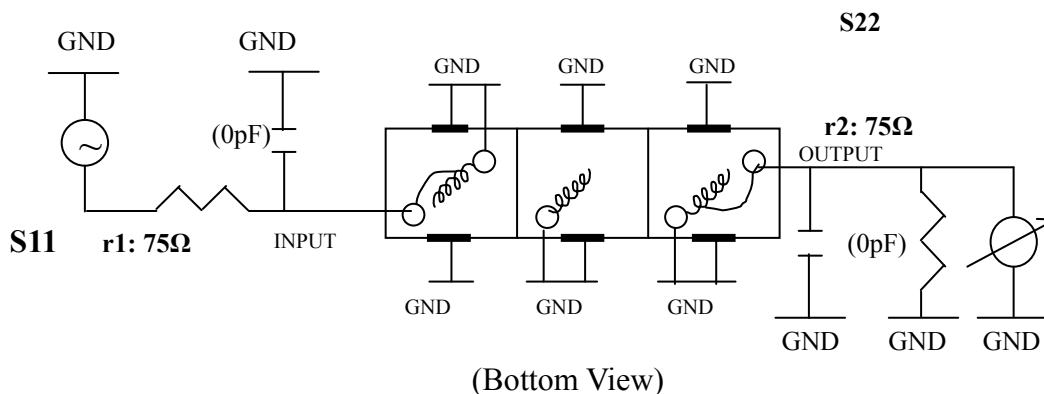
(4) Torque for Tuning Screw > 100gf · cm

(5) Temperature Condition:

Operating Temperature	0°C ~ +60°C
Storage Temperature	-20°C ~ +70°C

(6) Input Power > 1 Watt

(7) Measuring Circuit: ※Easy to match Impedance S11/S22 75Ω by parallel with about(0pF) / (0pF).



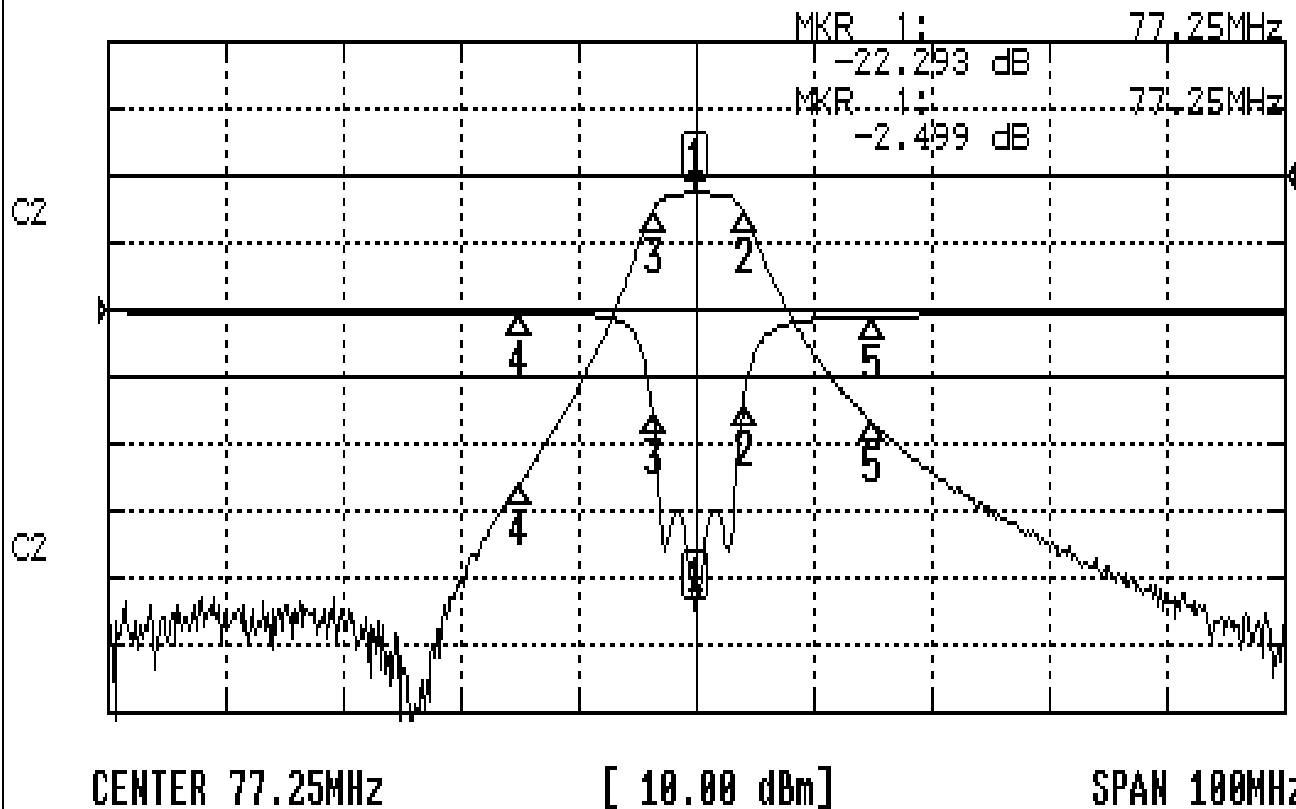
Approval C.Y.Chang	Supervisor C.S.Chang	Designer P.H.Chiang	Aperture size 7H3S(4*6.5F) 7H00LB4/7H00LB6
-----------------------	-------------------------	------------------------	--

TEMWELL CORPORATION

Performace-TTL63252F-77.25M

200809125CD

CH1 S11 LOG MAG REF 0.000 dB 5.000 dB/
CH2 S21 LOG MAG REF 0.000 dB 10.000 dB/



CH1 MARKER LIST

1:	77.250MHz	-22.293	dB
2:	81.333MHz	-7.090	dB
3:	73.583MHz	-7.603	dB
4:	62.250MHz	-0.275	dB
5:	92.250MHz	-0.509	dB

CH2 MARKER LIST

1:	77.250MHz	-2.499	dB
2:	81.333MHz	-11.370	dB
3:	73.583MHz	-11.310	dB
4:	62.250MHz	-45.734	dB
5:	92.250MHz	-36.748	dB