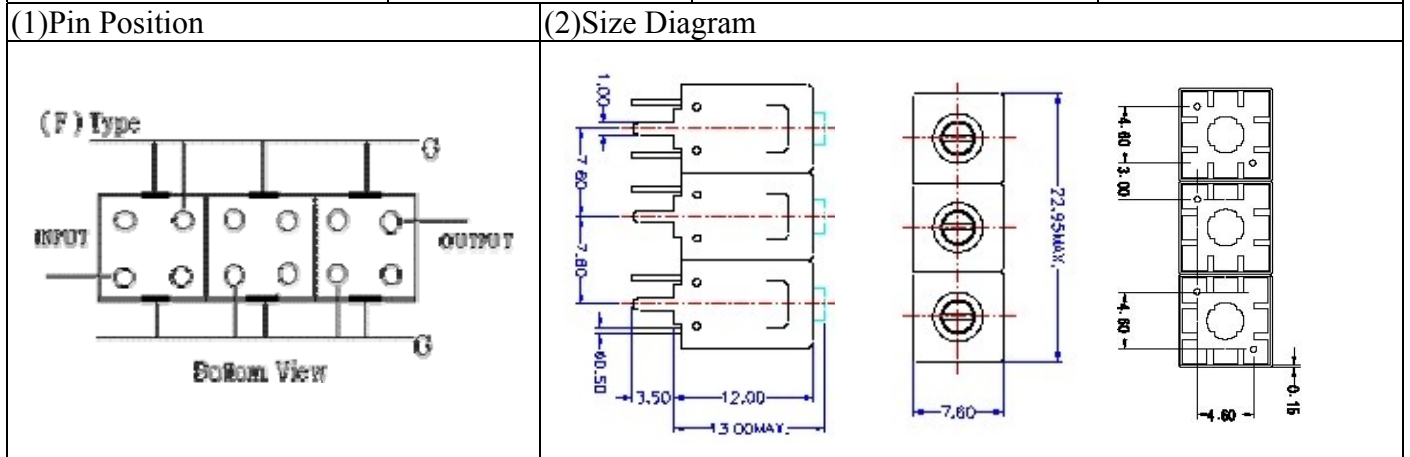


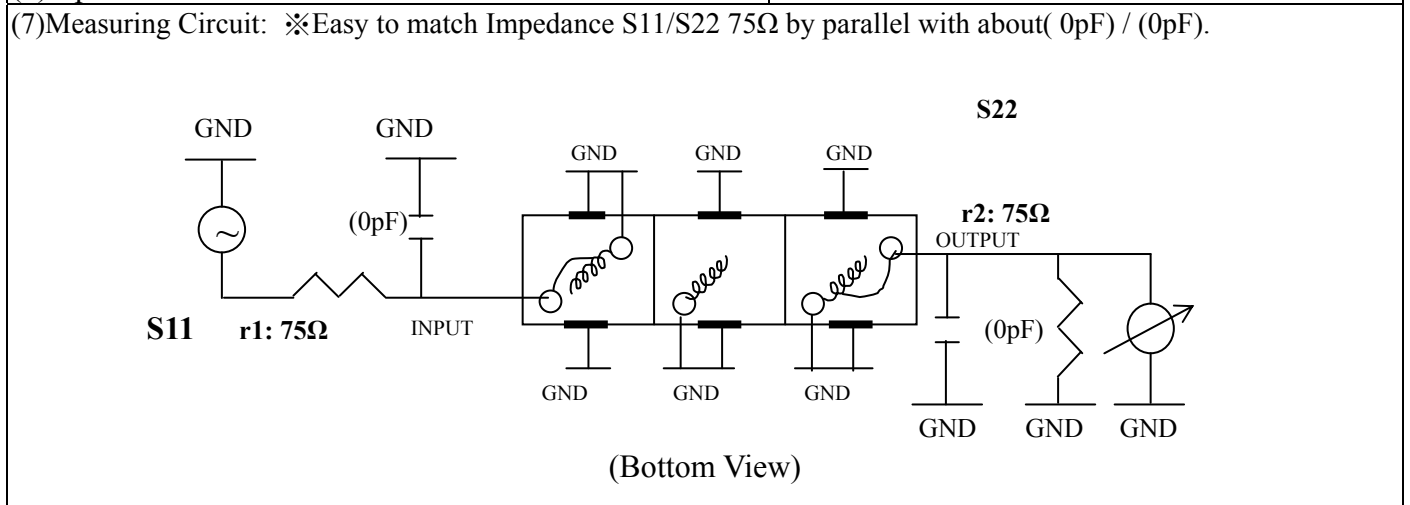
# VHF UHF Helical Filter Specification Sheet

Customer Name		Temwell's Part No.	TTL63250F-61.25M
Approval No. /dated	0809123CD	Temwell's print name	63250F 61.25M
Work Instruction No.	200809123CD	Date	Oct.03.2008



(3) Electric Characteristic			
Item	Specify	Performance	
Center Freq.(Fo) +/- 0.5 %	61.25 MHz	61.25 MHz	
Tunable Range:	61.25±2 MHz	61.25±2 MHz	
Insertion Loss	Typ. 3.0 dB	2.11 dB	
-3 dB Bandwidth	Typ. 7 MHz	8.1 MHz	
Sensitivity (Attenuation)	Fo - 15 MHz	Typ. 44 dB	47 dB
	Fo + 15 MHz	Typ. 32 dB	35 dB
	Fo - ( )MHz	Typ. dB	dB
	Fo +( )MHz	Typ. dB	dB
Return Loss	Min. 12 dB	35.6 dB	
Ripple	< 1 dB	dB	
Impedance	In / Out : 75 Ω	In / Out : 75 Ω	
(4) Torque for Tuning Screw	> 100gf · cm		

(5) Temperature Condition:	
Operating Temperature	0°C ~ +60°C
Storage Temperature	-20°C ~ +70°C
(6) Input Power	> 1 Watt

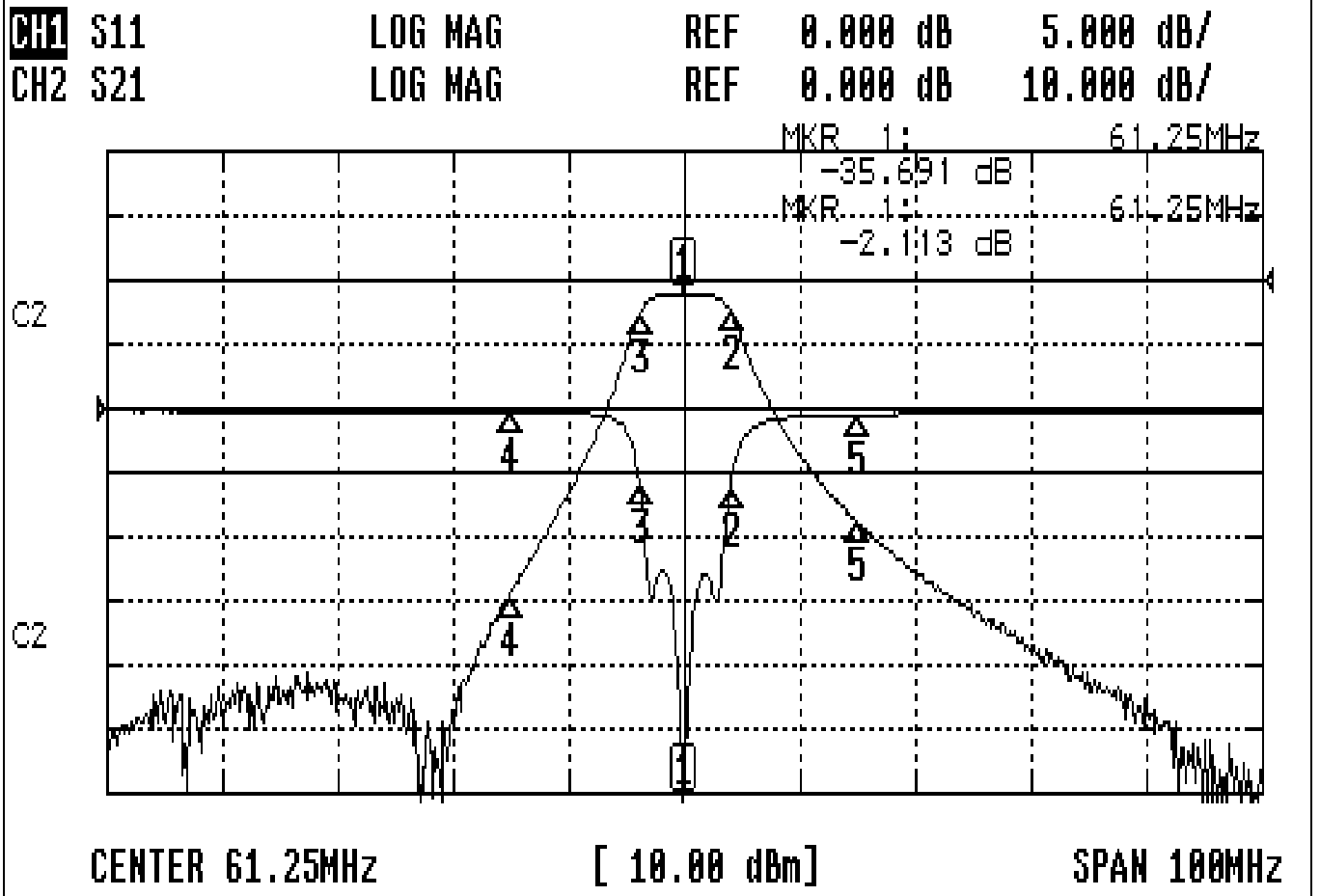


Approval	Supervisor	Designer	Aperture size
C.Y.Chang	C.S.Chang	Y.H.Yeh	7H3S(4*7.5F) 7H00LB4/7H00LB6

TEMWELL CORPORATION

# Performace-TTL63250F-61.25M

## 200809123CD



### CH1 MARKER LIST

1	61.250MHz	-35.691	dB
2	65.333MHz	-15.995	dB
3	57.416MHz	-15.910	dB
4	46.250MHz	-0.269	dB
5	76.250MHz	-0.483	dB

### CH2 MARKER LIST

1	61.250MHz	-2.113	dB
2	65.333MHz	-15.204	dB
3	57.416MHz	-15.179	dB
4	46.250MHz	-49.189	dB
5	76.250MHz	-37.775	dB