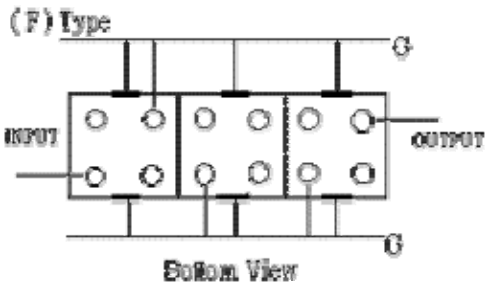


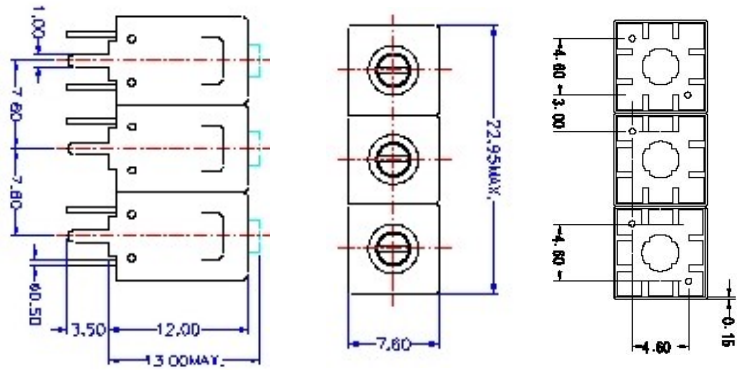
# VHF UHF Helical Filter Specification Sheet

Customer Name		Temwell's Part No.	TTL63229F-1140M
Approval No. /dated	0802036APR	Acceptable Specify Fo Range	1101~1180MHz
Work Instruction No.	0802036CD	Date	Feb.26.2008

(1) Pin Position



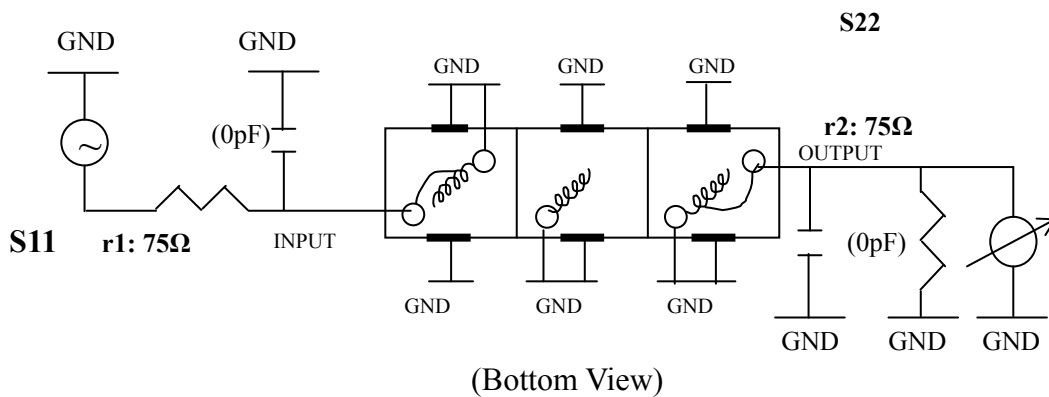
(2) Size Diagram



(3) Electric Chararistic

Item	Specify	Performance	
Center Freq.(Fo) +/- 0.5 %	1140 MHz	1140 MHz	
Tunable Range:	1140±5 MHz	1140±5 MHz	
Insertion Loss	Typ. 2.0 dB	1.08 dB	
-3 dB Bandwidth	Typ. 123 MHz	128.7 MHz	
Sensitivity (Attenuation)	Fo - 200 MHz	Typ. 23 dBc	26 dBc
	Fo + 200 MHz	Typ. 34 dBc	37 dBc
	Fo - ( )MHz	Typ. dBc	dBc
	Fo +( )MHz	Typ. dBc	dBc
Return Loss	Min. 12 dB	40.9 dB	
Ripple	< 1 dB	dB	
Impedance	In / Out : 75 Ω	In / Out : 75 Ω	
(4) Torque for Tuning Screw	>100gf · cm		
(5) Temperature Condition:			
Operating Temperature	0°C ~ +60°C		
Storage Temperature	-20°C ~ +70°C		
(6) Input Power	> 1Watt		

(7) Measuring Circuit: ※Easy to match Impedance S11/S22 75Ω by parallel with about( 0pF) / (0pF).



Approval	Supervisor	Designer	Aperture size
C.Y.Chang	C.S.Chang	C.S.Chang	7H3(4*5.5)F(6.5B) 7H046RB6.5

TEMWELL CORPORATION

TEMWELL

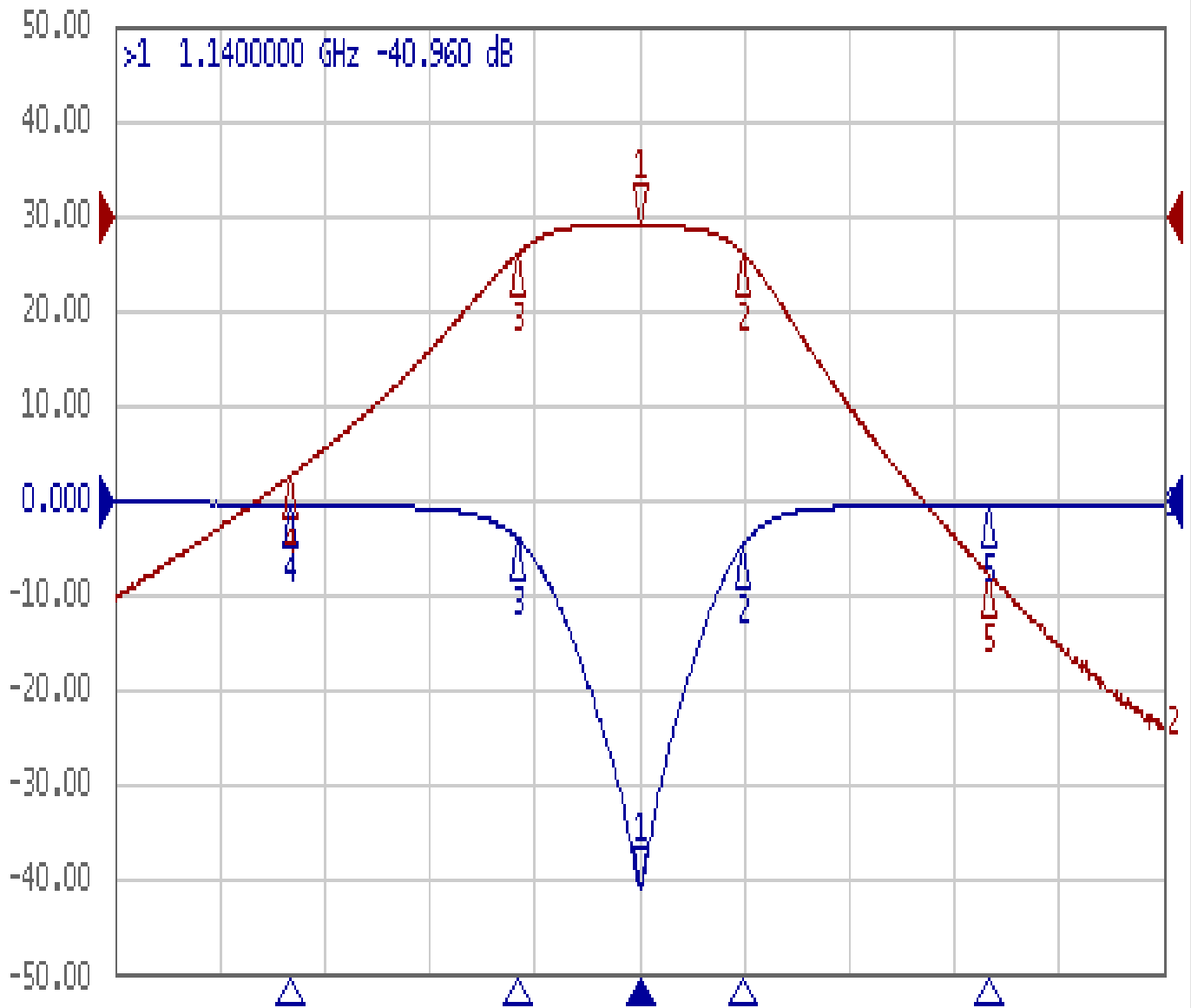
Form10-7H3F Vision D

RP( C.S.Chang)

# Performance-TTL63229F-1140M

## 0802036CD

Tr1 S11 Log Mag 10.00dB/ Ref 0.000dB [F2]  
Tr2 S21 Log Mag 10.00dB/ Ref 0.000dB [F2]



1 Center 1.14 GHz

IFBW 10 kHz

Span 600 MHz

Ch1	Tr1	S11	>1	1.1400000	GHz	-40.960	dB
Ch1	Tr1	S11	2	1.1989770	GHz	-4.8352	dB
Ch1	Tr1	S11	3	1.0702200	GHz	-4.1651	dB
Ch1	Tr1	S11	4	940.00000	MHz	-0.5119	dB
Ch1	Tr1	S11	5	1.3400000	GHz	-0.6172	dB
Ch1	Tr2	S21	1	1.1400000	GHz	-1.0851	dB
Ch1	Tr2	S21	2	1.1989770	GHz	-4.0285	dB
Ch1	Tr2	S21	3	1.0702200	GHz	-4.0813	dB
Ch1	Tr2	S21	4	940.00000	MHz	-27.568	dB
Ch1	Tr2	S21	5	1.3400000	GHz	-38.029	dB