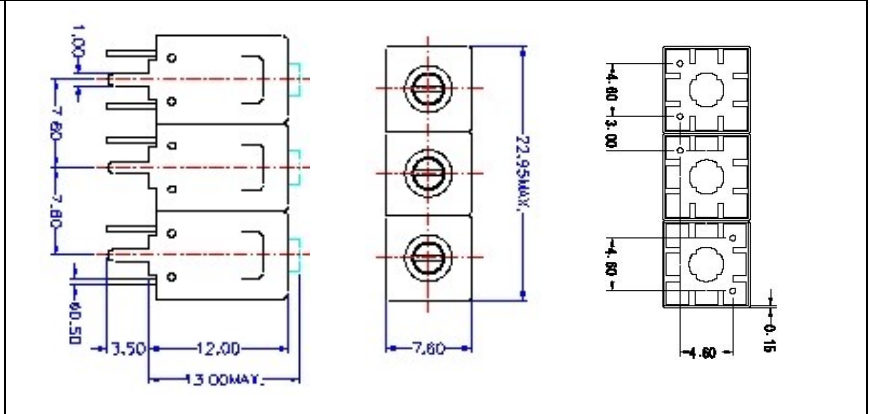
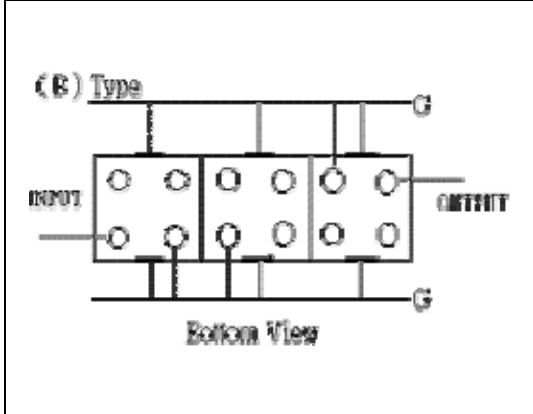


VHF UHF Helical Filter Specification Sheet

Customer Name		Temwell's Part No.	TTL63223B-288M
Approval No. /dated	0807020CD	Customer's Print Name.	276~310M
Work Instruction No.	0807020CD	Date	Jul.21.2008

(1) Pin Position

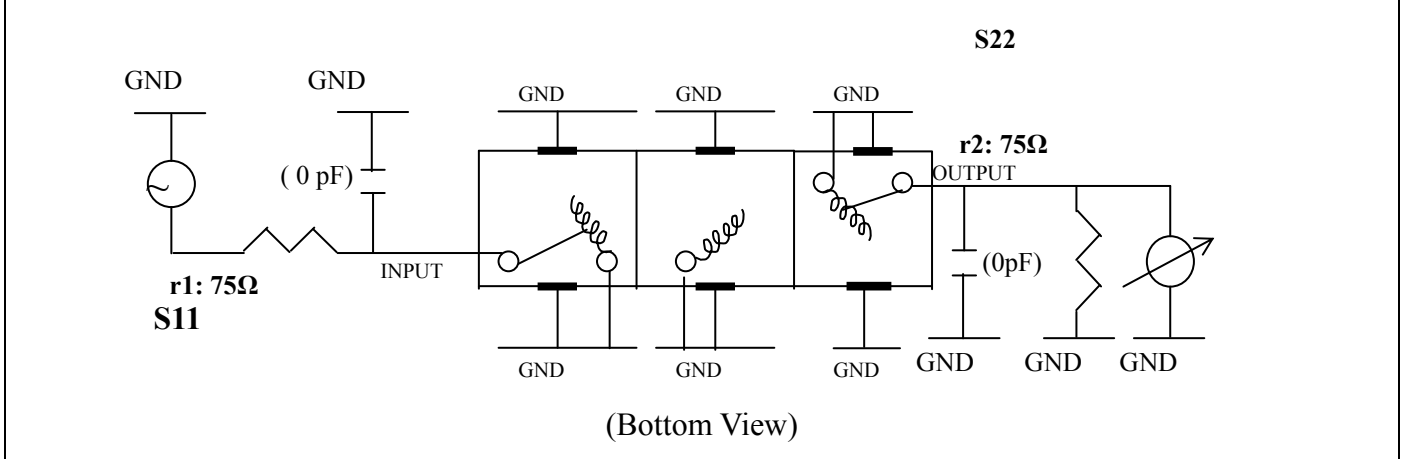
(2) Size Diagram



(3) Electric Characteristic

Item	Specify	Performance	
Center Freq.(Fo) +/- 0.5 %	288 MHz	288 MHz	
Tunable Range:	288±3 MHz	288±3 MHz	
Insertion Loss	Typ. 2.0 dB	0.51 dB	
-3 dB Bandwidth	Typ. 80 MHz	81.5 MHz	
Sensitivity (Attenuation)	Fo - (100) MHz	Typ. 33 dBc	37 dBc
	Fo + (100) MHz	Typ. 18 dBc	21 dBc
	Fo - () MHz	Typ. dBc	dBc
	Fo + () MHz	Typ. dBc	dBc
Return Loss	Min. 12 dB	29.8 dB	
Ripple	< 1 dB	dB	
Impedance	In / Out : 75 Ω	In / Out : 75 Ω	
(4) Torque for Tuning Screw	> 100gf · cm		
(5) Temperature Condition:			
Operating Temperature	0°C ~ +60°C		
Storage Temperature	-20°C ~ +70°C		
(6) Input Power	> 1Watt		

(7) Measuring Circuit: ※Easy to match Impedance S11/S22 75Ω by parallel with about(0pF) / (0pF).

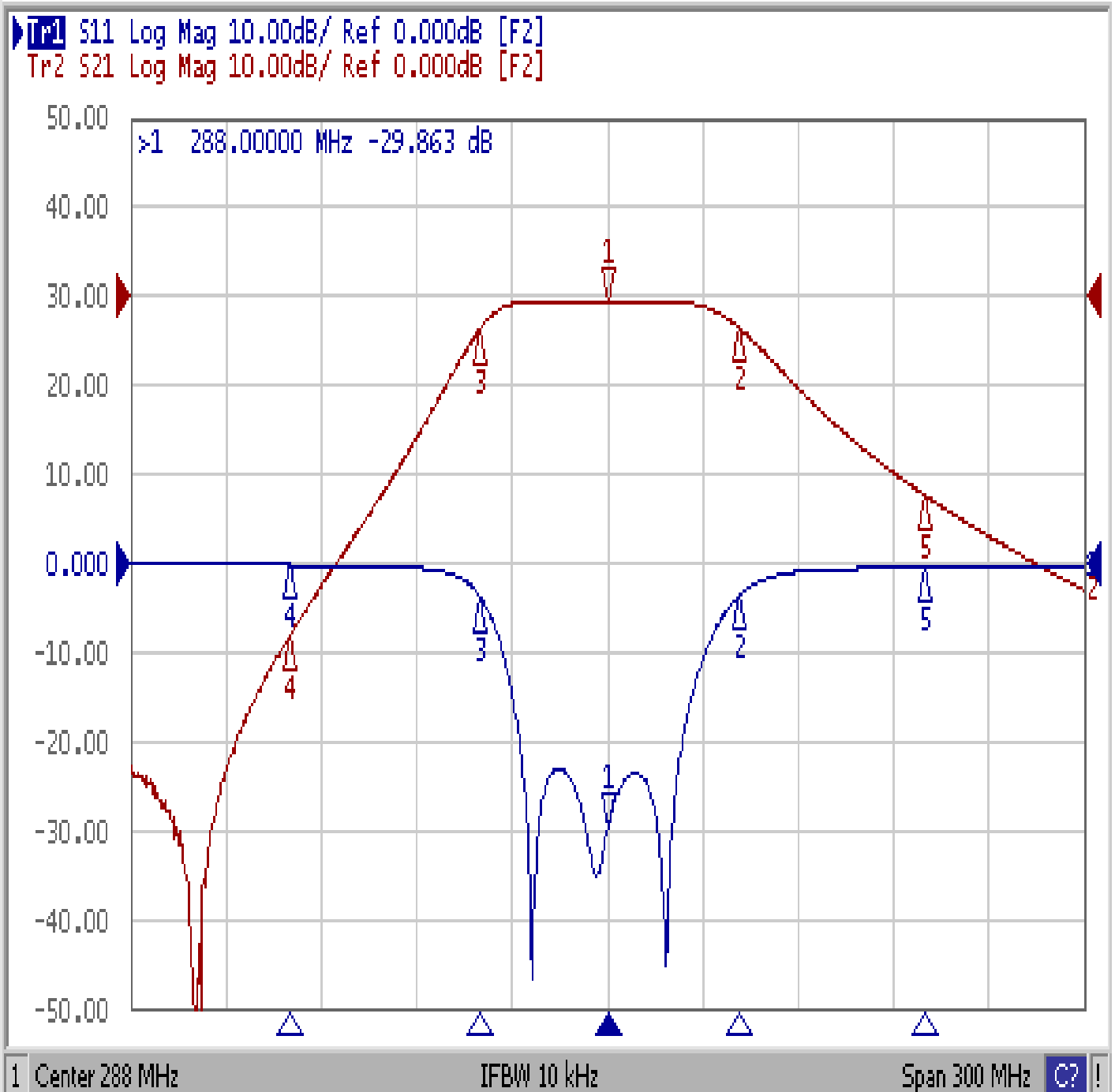


Approval	Supervisor	Designer	Aperture size
C.Y.Chang	C.S.Chang	C.S.Chang	7H3(4*8.0F) (7H046RB6.5)

TEMWELL CORPORATION

Performance-TTL63223B-288M

0807020CD



Ch1	Tr1	S11	>1	288.00000	MHz	-29.863	dB
Ch1	Tr1	S11	2	329.50100	MHz	-3.5744	dB
Ch1	Tr1	S11	3	248.01100	MHz	-3.8035	dB
Ch1	Tr1	S11	4	188.00000	MHz	-0.1929	dB
Ch1	Tr1	S11	5	388.00000	MHz	-0.4916	dB
Ch1	Tr2	S21	1	288.00000	MHz	-0.5160	dB
Ch1	Tr2	S21	2	329.50100	MHz	-3.5510	dB
Ch1	Tr2	S21	3	248.01100	MHz	-3.5529	dB
Ch1	Tr2	S21	4	188.00000	MHz	-38.102	dB
Ch1	Tr2	S21	5	388.00000	MHz	-22.386	dB