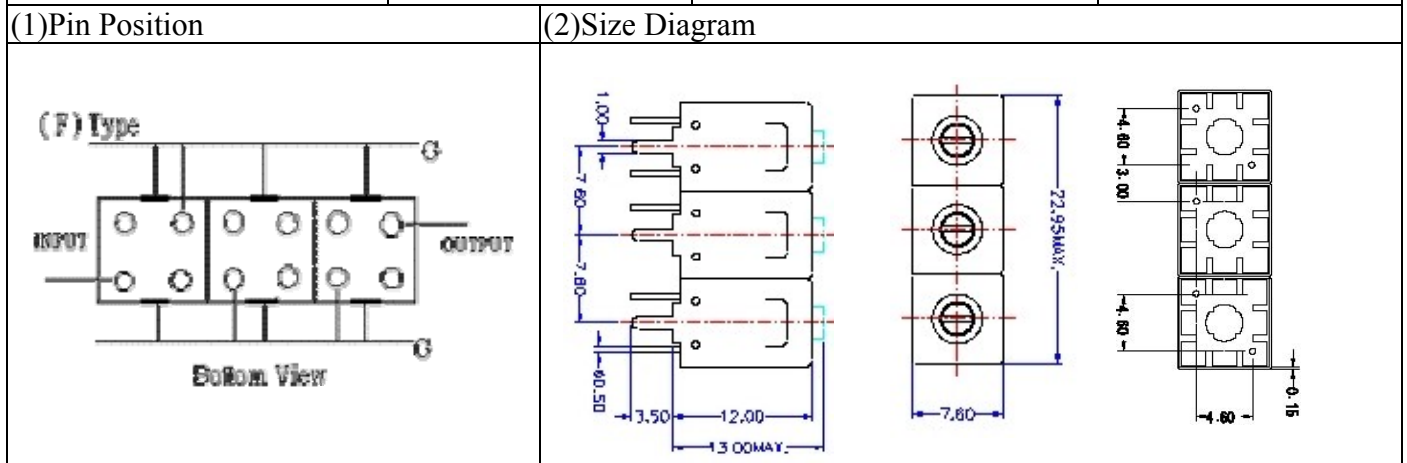


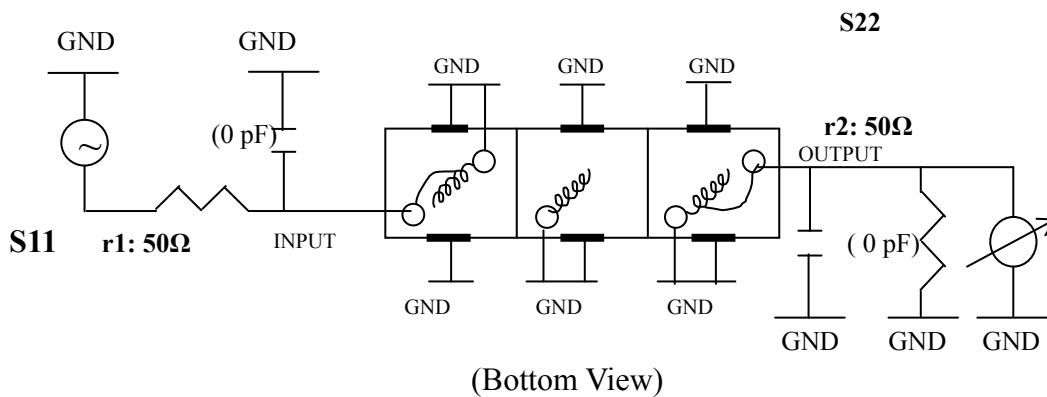
VHF UHF Helical Filter Specification Sheet

Customer Name		Temwell's Part No.	TTL63204F-851M
Approval No. /dated	0701125APR	Acceptable Specify Fo Range.	831~860MHz
Work Instruction No.	0701125DC	Date	Jan.24.2007



Item		Specify	Performance
Center Freq.(Fo) +/- 0.5 %		851 MHz	851 MHz
Tunable Range:		851±10 MHz	851±10 MHz
Insertion Loss		Typ. 5.5 dB	4.40 dB
-3 dB Bandwidth		Typ. 8 MHz	12.6 MHz
Sensitivity (Attenuation)	Fo - 20 MHz	Typ. 25 dBc	28 dBc
	Fo + 20 MHz	Typ. 19 dBc	22 dBc
	Fo - ()MHz	Typ. dBc	dBc
	Fo +()MHz	Typ. dBc	dBc
Return Loss		Min. 12 dB	30.4 dB
Ripple		< 1 dB	dB
Impedance		In / Out : 75 Ω	In / Out : 75 Ω
(4) Torque for Tuning Screw		> 100gf · cm	
(5) Temperature Condition:			
Operating Temperature		0°C ~ +60°C	
Storage Temperature		20°C ~ +70°C	
(6) Input Power		> 1Watt	

(7) Measuring Circuit: ※Easy to match Impedance S11/S22 75Ω by parallel with about(0 pF) / (0 pF).

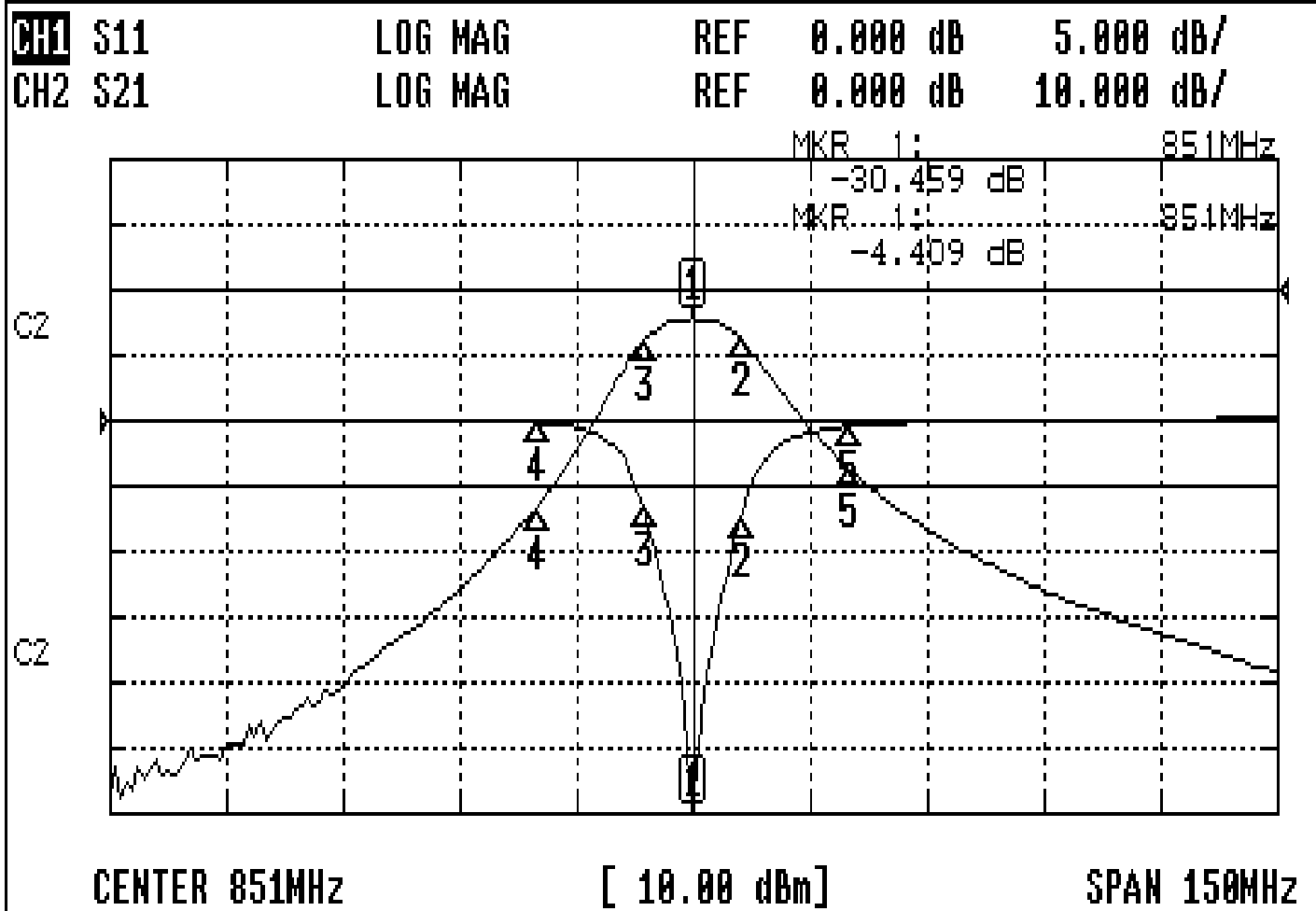


Approval	Supervisor	Designer	Aperture size
C.Y.Chang	C.S.Chang	P.H.Chiang	7H3(4*4.5F) 7H046LB4 聚 3

TEMWELL CORPORATION

Performance-TTL63204F-851M

0701125DC



CH1 MARKER LIST

1:	851.000MHz	-30.459	dB
2:	857.250MHz	-7.203	dB
3:	844.625MHz	-6.677	dB
4:	831.000MHz	-0.149	dB
5:	871.000MHz	-0.397	dB

CH2 MARKER LIST

1:	851.000MHz	-4.409	dB
2:	857.250MHz	-7.491	dB
3:	844.625MHz	-7.468	dB
4:	831.000MHz	-32.873	dB
5:	871.000MHz	-27.260	dB