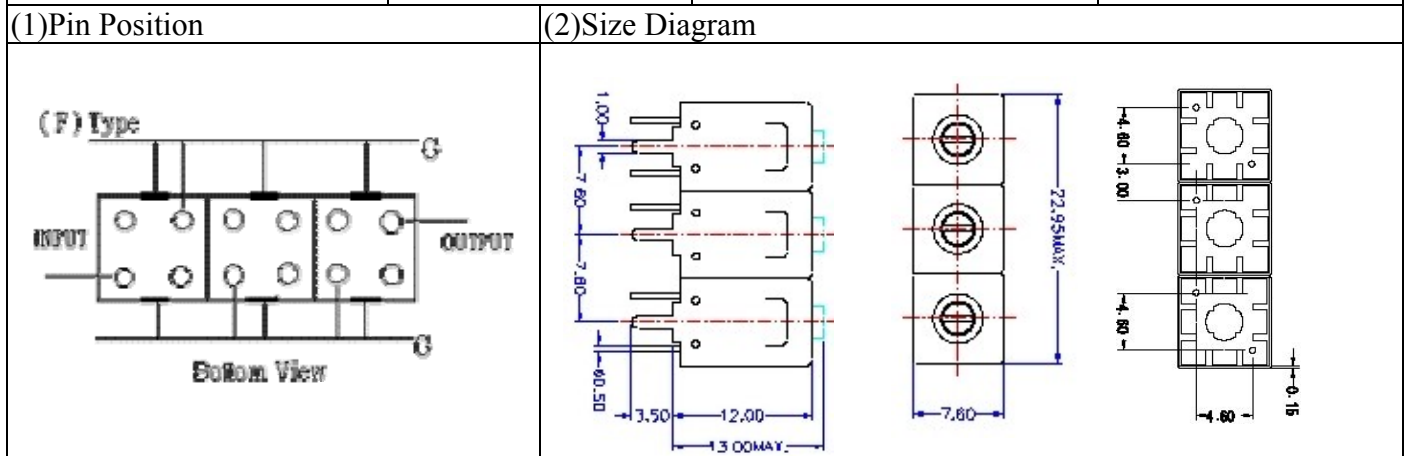


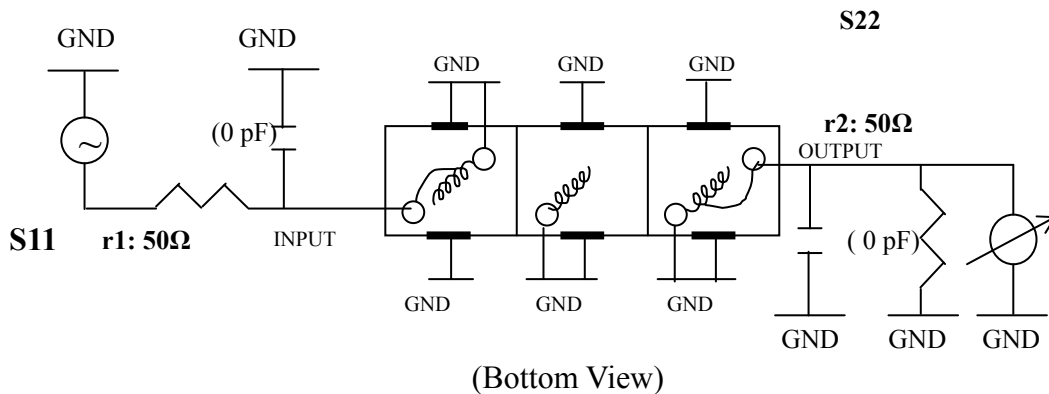
VHF UHF Helical Filter Specification Sheet

Customer Name		Temwell's Part No.	TTL63197F-795M
Approval No. /dated	0701118APR	Acceptable Specify Fo Range.	751~800MHz
Work Instruction No.	0701118DC	Date	Jan.24.2007



(3)Electric Chararistic			
Item		Specify	Performance
Center Freq.(Fo) +/- 0.5 %		795 MHz	795 MHz
Tunable Range:		795±5 MHz	795±5 MHz
Insertion Loss		Typ. 5.0 dB	4.62 dB
-3 dB Bandwidth		Typ. 8 MHz	10.9 MHz
Sensitivity (Attenuation)	Fo - 20 MHz	Typ. 31 dB	34 dB
	Fo + 20 MHz	Typ. 24 dB	27 dB
	Fo - ()MHz	Typ. dB	dB
	Fo +()MHz	Typ. dB	dB
Return Loss		Min. 12 dB	16.2 dB
Ripple		< 1 dB	dB
Impedance		In / Out : 75 Ω	In / Out : 75 Ω
(4)Torque for Tuning Screw		> 60gf · cm	
(5)Temperature Condition:			
Operating Temperature		0°C ~ +60°C	
Storage Temperature		20°C ~ +70°C	
(6)Input Power		> 1Watt	

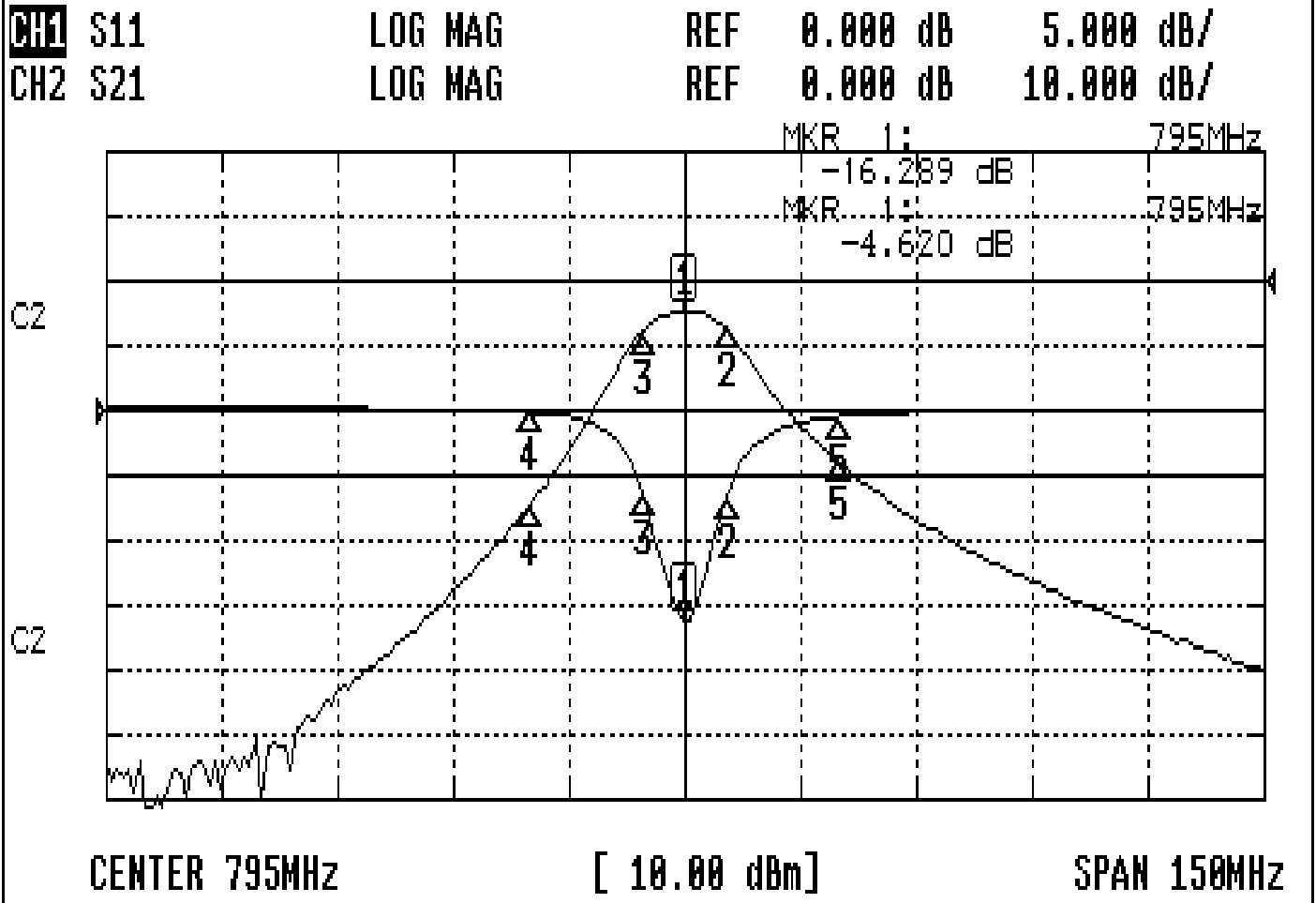
(7)Measuring Circuit: ※Easy to match Impedance S11/S22 75Ω by parallel with about(0 pF) / (0 pF).



Approval	Supervisor	Designer	Aperture size
C.Y.Chang	C.S.Chang	P.H.Chiang	7H3(4*4.65F) 7H046LB4 聚 3
TEMWELL CORPORATION			

Performance-TTL63197F-795M

070118DC



CH1 MARKER LIST

1:	795.000MHz	-16.289	dB
2:	800.500MHz	-6.662	dB
3:	789.625MHz	-6.454	dB
4:	775.000MHz	-0.127	dB
5:	815.000MHz	-0.437	dB

CH2 MARKER LIST

1:	795.000MHz	-4.620	dB
2:	800.500MHz	-7.574	dB
3:	789.625MHz	-7.535	dB
4:	775.000MHz	-4.627	dB
5:	815.000MHz	-27.969	dB