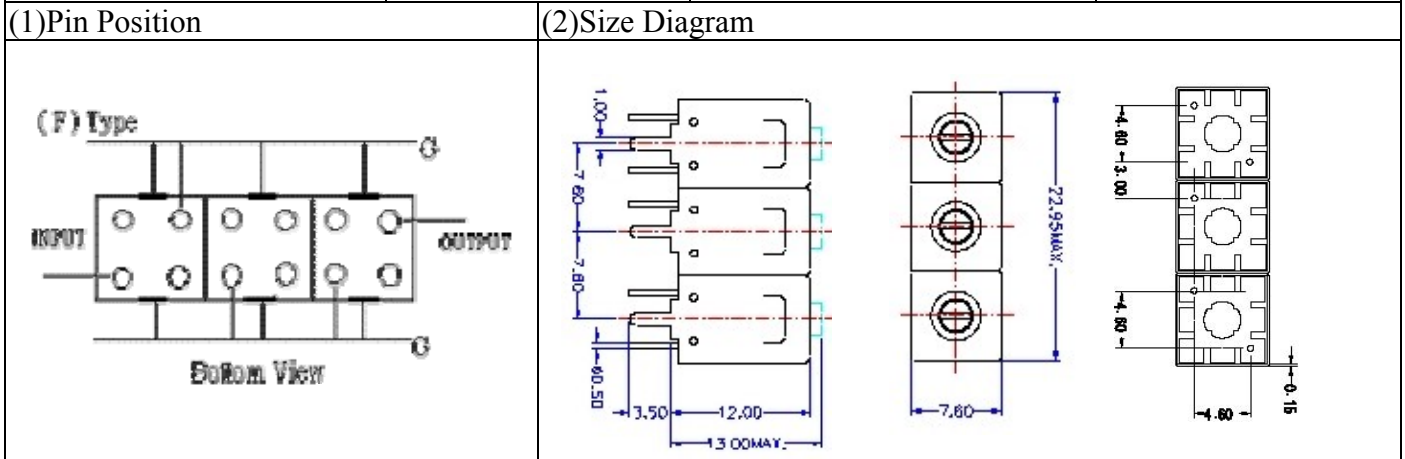


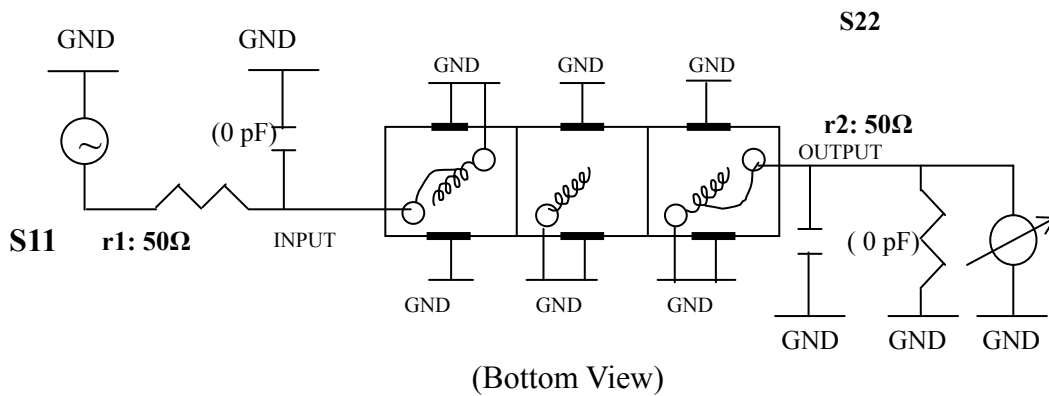
VHF UHF Helical Filter Specification Sheet

Customer Name		Temwell's Part No.	TTL63193F-763M
Approval No. /dated	0701114APR	Acceptable Specify Fo Range.	751~800MHz
Work Instruction No.	0701114DC	Date	Jan.24.2007



Item		Specify	Performance
Center Freq.(Fo) +/- 0.5 %		763 MHz	763 MHz
Tunable Range:		763±5 MHz	763±5 MHz
Insertion Loss		Typ. 4.5 dB	4.00 dB
-3 dB Bandwidth		Typ. 8 MHz	11.3 MHz
Sensitivity (Attenuation)	Fo - 20 MHz	Typ. 21 dB	24 dB
	Fo + 20 MHz	Typ. 18 dB	21 dB
	Fo - ()MHz	Typ. dB	dB
	Fo +()MHz	Typ. dB	dB
Return Loss		Min. 12 dB	18.5 dB
Ripple		< 1 dB	dB
Impedance		In / Out : 75 Ω	In / Out : 75 Ω
(4) Torque for Tuning Screw		> 60gf · cm	
(5) Temperature Condition:			
Operating Temperature		0°C ~ +60°C	
Storage Temperature		20°C ~ +70°C	
(6) Input Power		> 1Watt	

(7) Measuring Circuit: ※Easy to match Impedance S11/S22 75Ω by parallel with about(0 pF) / (0 pF).



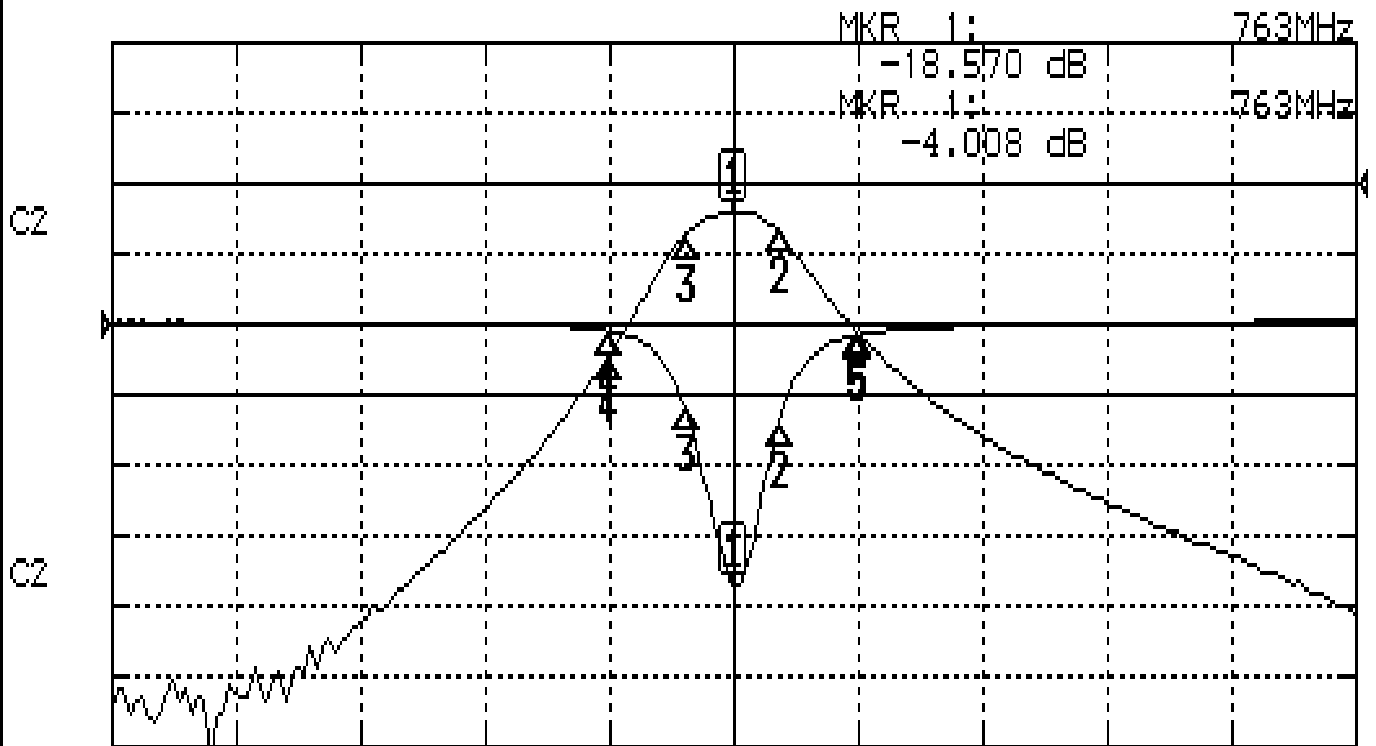
Approval	Supervisor	Designer	Aperture size
C.Y.Chang	C.S.Chang	P.H.Chiang	7H3(4*4.65F) 7H046LB4 聚 3

TEMWELL CORPORATION

Performance-TTL63193F-763M

0701114DC

CH1 S11 LOG MAG REF 0.000 dB 5.000 dB/
CH2 S21 LOG MAG REF 0.000 dB 10.000 dB/



CENTER 763MHz

[10.00 dBm]

SPAN 150MHz

CH1 MARKER LIST

1:	763.000MHz	-18.570	dB
2:	768.500MHz	-6.963	dB
3:	757.250MHz	-6.060	dB
4:	748.000MHz	-0.498	dB
5:	778.000MHz	-0.771	dB
6:			
7:			
8:			
9:			
10:			

CH2 MARKER LIST

1:	763.000MHz	-4.008	dB
2:	768.500MHz	-7.023	dB
3:	757.250MHz	-7.134	dB
4:	748.000MHz	-24.430	dB
5:	778.000MHz	-21.195	dB
6:			
7:			
8:			
9:			
10:			