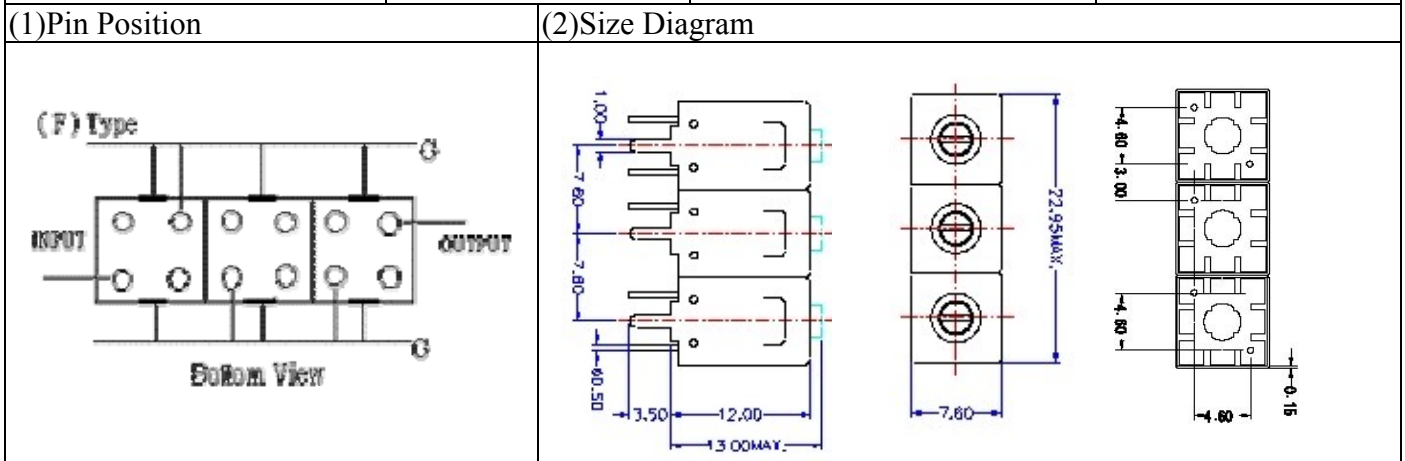


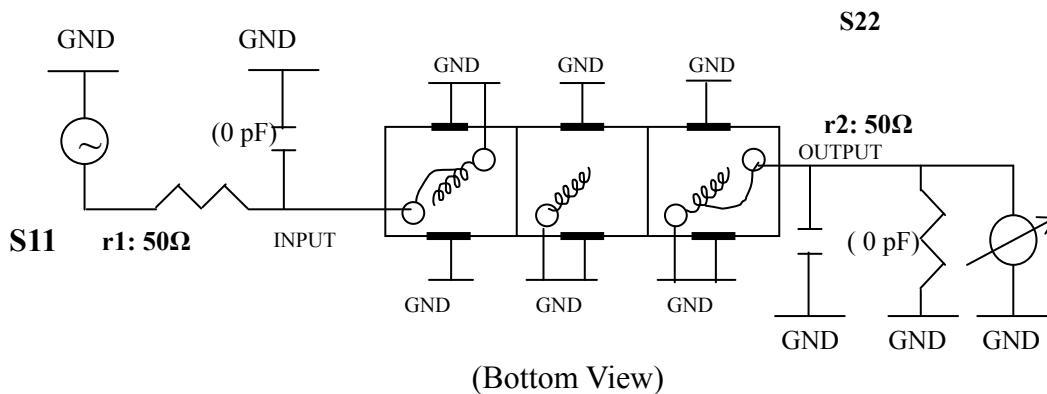
VHF UHF Helical Filter Specification Sheet

Customer Name		Temwell's Part No.	TTL63191F-747M
Approval No. /dated	0701112APR	Acceptable Specify Fo Range.	701~750MHz
Work Instruction No.	0701112DC	Date	Jan.23.2007



(3) Electric Characteristic			
Item		Specify	Performance
Center Freq.(Fo) +/- 0.5 %		747 MHz	747 MHz
Tunable Range:		747±5 MHz	747±5 MHz
Insertion Loss		Typ. 4.5 dB	4.05 dB
-3 dB Bandwidth		Typ. 8 MHz	12.2 MHz
Sensitivity (Attenuation)	Fo - 20 MHz	Typ. 23 dB	26 dB
	Fo + 20 MHz	Typ. 19 dB	22 dB
	Fo - ()MHz	Typ. dB	dB
	Fo +()MHz	Typ. dB	dB
Return Loss		Min. 12 dB	19.1 dB
Ripple		< 1 dB	dB
Impedance		In / Out : 75 Ω	In / Out : 75 Ω
(4) Torque for Tuning Screw		> 60gf · cm	
(5) Temperature Condition:			
Operating Temperature		0°C ~ +60°C	
Storage Temperature		20°C ~ +70°C	
(6) Input Power		> 1Watt	

(7) Measuring Circuit: ※Easy to match Impedance S11/S22 75Ω by parallel with about(0 pF) / (0 pF).

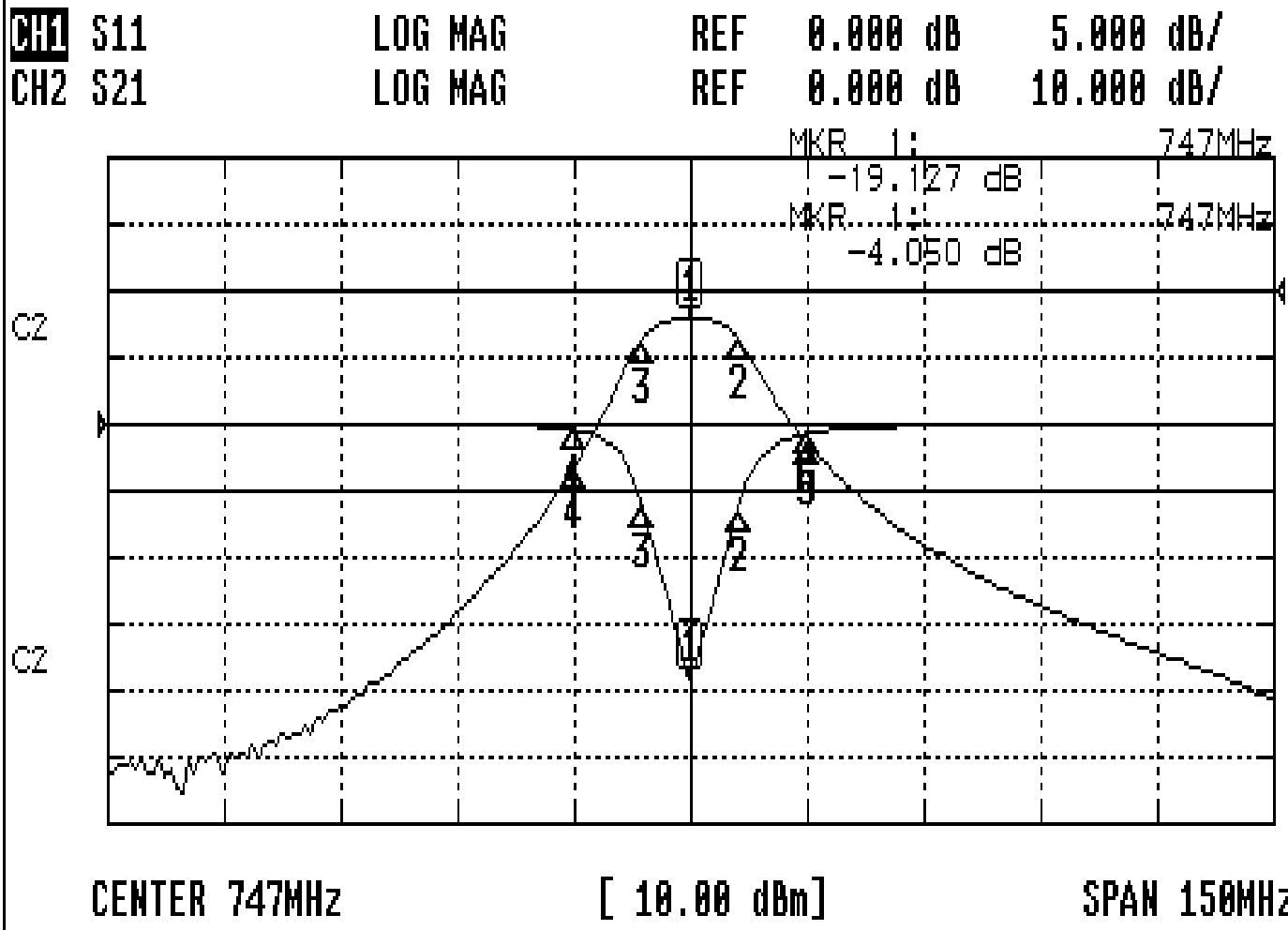


Approval	Supervisor	Designer	Aperture size
C.Y.Chang	C.S.Chang	P.H.Chiang	7H2(4*4.65F) 7H046LB4 聚 3

TEMWELL CORPORATION

Performance-TTL63191F-747M

070112DC



CH1 MARKER LIST

1:	747.000MHz	-19.127	dB
2:	753.000MHz	-6.586	dB
3:	740.875MHz	-6.273	dB
4:	732.000MHz	-0.430	dB
5:	762.000MHz	-0.684	dB
6:			
7:			
8:			
9:			
10:			

CH2 MARKER LIST

1:	747.000MHz	-4.050	dB
2:	753.000MHz	-7.057	dB
3:	740.875MHz	-7.180	dB
4:	732.000MHz	-26.570	dB
5:	762.000MHz	-22.752	dB
6:			
7:			
8:			
9:			
10:			