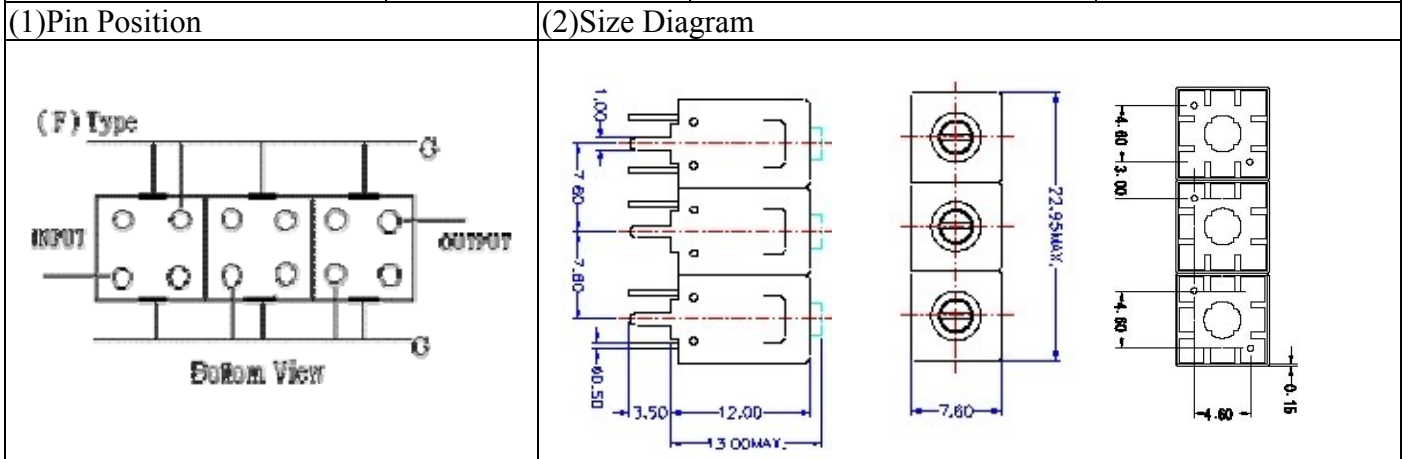


VHF UHF Helical Filter Specification Sheet

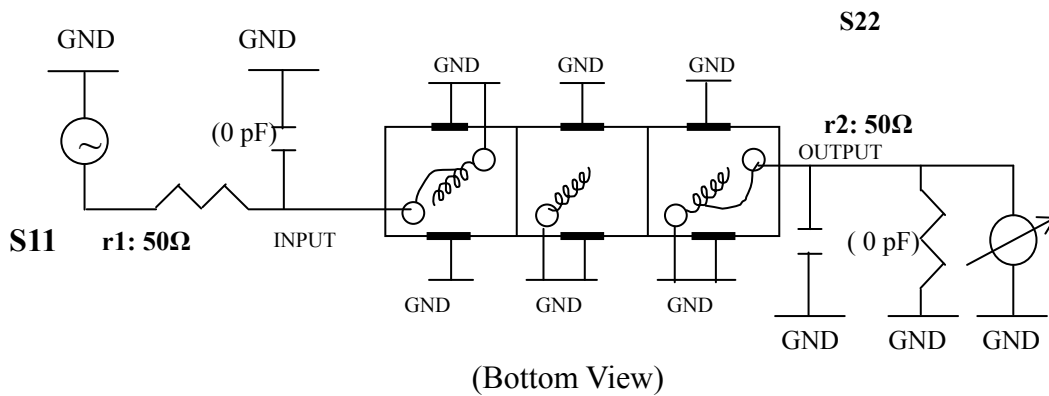
Customer Name		Temwell's Part No.	TTL63187F-715M
Approval No. /dated	0701108APR	Acceptable Specify Fo Range.	701~750
Work Instruction No.	0701108DC	Date	Jan.23.2007



(3) Electric Characteristic

Item	Specify	Performance
Center Freq.(Fo) +/- 0.5 %	715 MHz	715 MHz
Tunable Range:	715±5 MHz	715±5 MHz
Insertion Loss	Typ. 4.5 dB	4.04 dB
-3 dB Bandwidth	Typ. 8 MHz	11.5 MHz
Sensitivity (Attenuation)	Fo - 20 MHz	Typ. 23 dB
	Fo + 20 MHz	Typ. 19 dB
	Fo - ()MHz	Typ. dB
	Fo +()MHz	Typ. dB
Return Loss	Min. 12 dB	16.8 dB
Ripple	< 1 dB	dB
Impedance	In / Out : 75 Ω	In / Out : 75 Ω
(4) Torque for Tuning Screw	> 60gf · cm	
(5) Temperature Condition:		
Operating Temperature	0°C ~ +60°C	
Storage Temperature	20°C ~ +70°C	
(6) Input Power	> 1Watt	

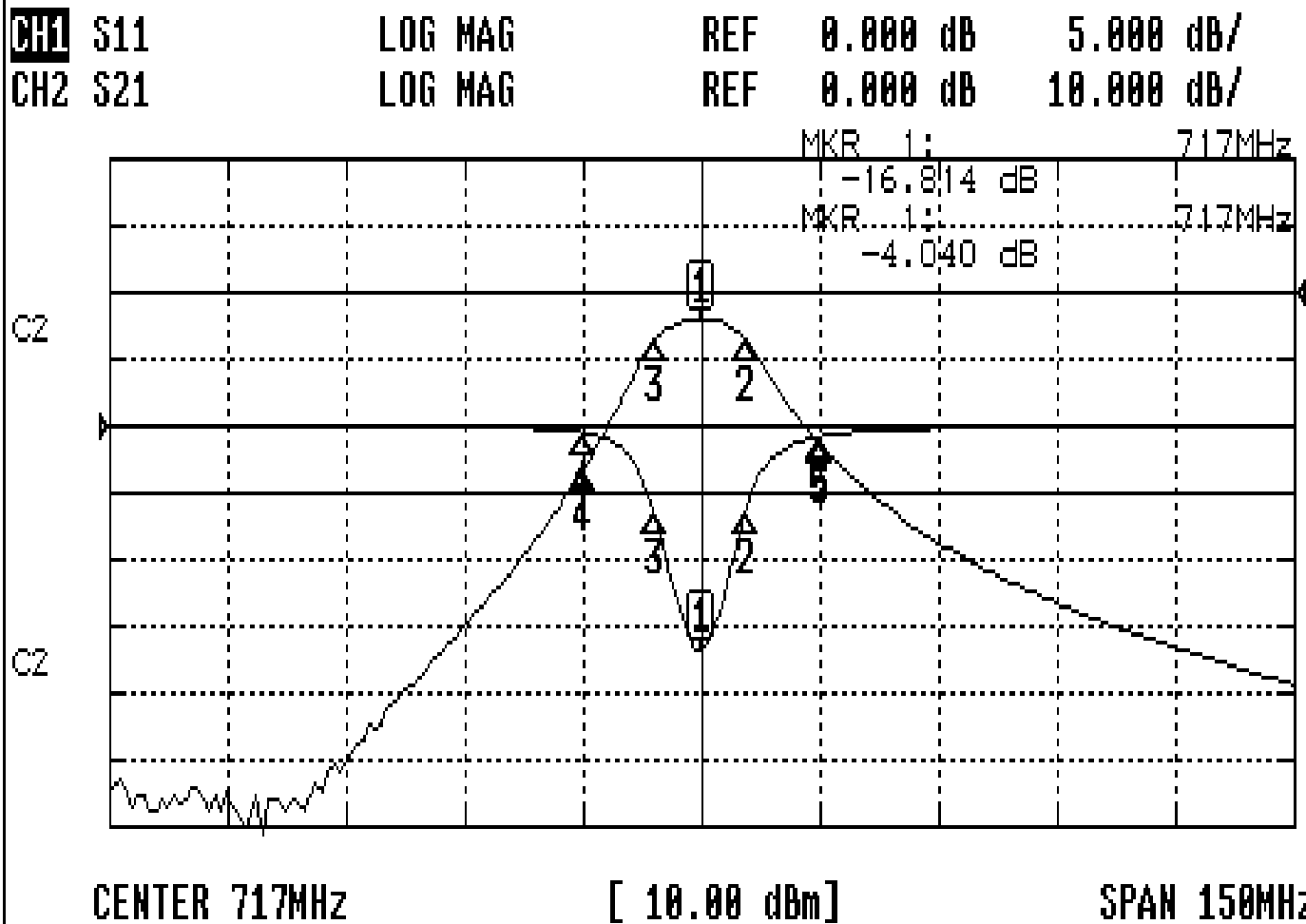
(7) Measuring Circuit: ※Easy to match Impedance S11/S22 75Ω by parallel with about(0 pF) / (0 pF).



Approval	Supervisor	Designer	Aperture size
C.Y.Chang	C.S.Chang	P.H.Chiang	7H2(4*4.65F) 7H046LB4 聚 3
TEMWELL CORPORATION			

Performance-TTL63187F-715M

0701108DC



CH1 MARKER LIST

1:	717.000MHz	-16.827 dB
2:	722.625MHz	-6.465 dB
3:	711.125MHz	-6.581 dB
4:	702.000MHz	-0.493 dB
5:	732.000MHz	-0.738 dB
6:		
7:		
8:		
9:		
10:		

CH2 MARKER LIST

1:	717.000MHz	-4.043 dB
2:	722.625MHz	-7.134 dB
3:	711.125MHz	-7.034 dB
4:	702.000MHz	-26.620 dB
5:	732.000MHz	-22.621 dB
6:		
7:		
8:		
9:		
10:		