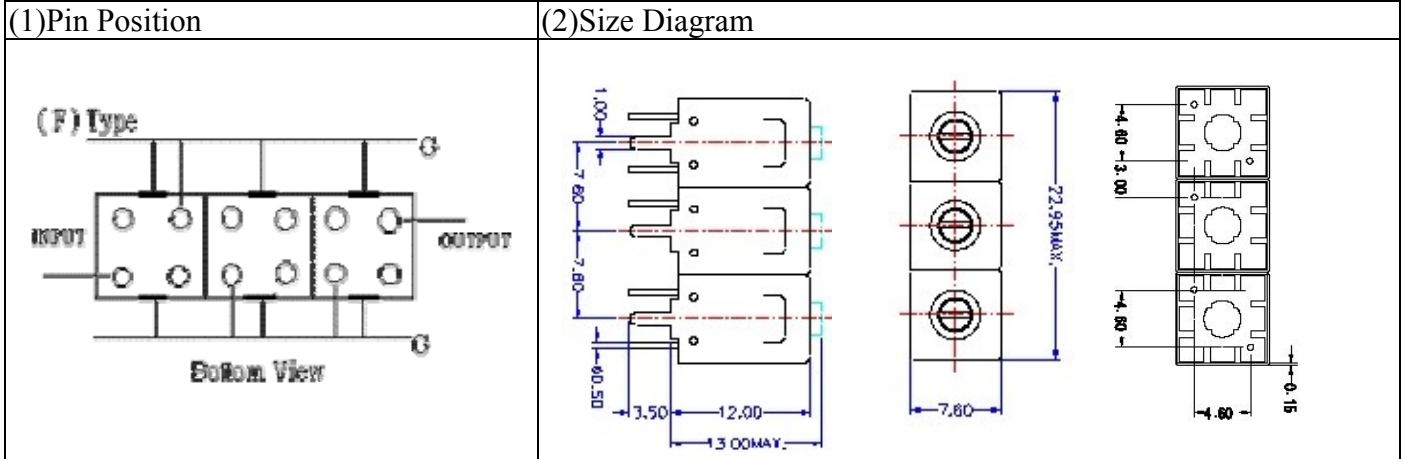


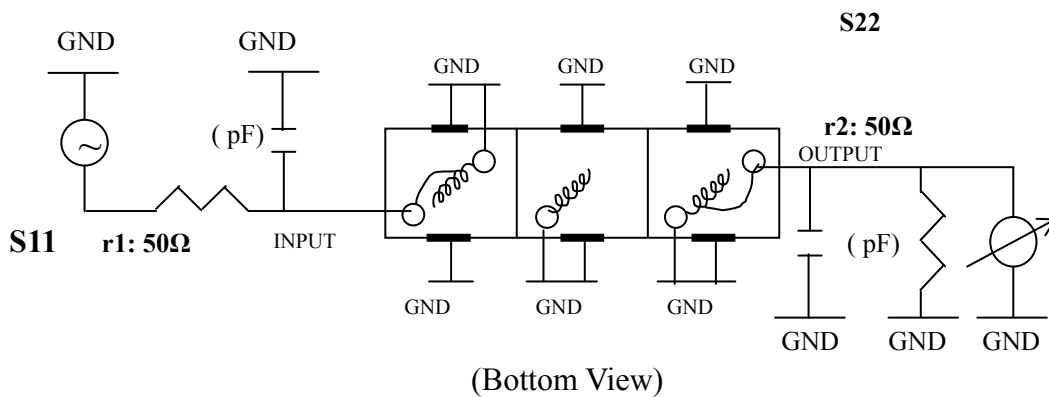
# VHF UHF Helical Filter Specification Sheet

Customer Name		Temwell's Part No.	TTL63185F-699M
Approval No. /dated	0701106PR	Acceptable Specify Fo Range.	661~700MHz
Work Instruction No.	0701106DC	Date	Jan.29.2007



Item		Specify	Performance
Center Freq.(Fo) +/- 0.5 %		699 MHz	699 MHz
Tunable Range:		699±5 MHz	699±5 MHz
Insertion Loss		Typ. 5.5 dB	4.19 dB
-3 dB Bandwidth		Typ. 8 MHz	11.3 MHz
Sensitivity (Attenuation)	Fo - 25 MHz	Typ. 29 dB	32 dB
	Fo + 25 MHz	Typ. 23 dB	26 dB
	Fo - ( )MHz	Typ. dB	dB
	Fo +( )MHz	Typ. dB	dB
Return Loss		Min. 12 dB	15.7 dB
Ripple		< 1 dB	dB
Impedance		In / Out : 75 Ω	In / Out : 75 Ω
(4) Torque for Tuning Screw		> 60gf · cm	
(5) Temperature Condition:			
Operating Temperature		0°C ~ +60°C	
Storage Temperature		20°C ~ +70°C	
(6) Input Power		> 1Watt	

(7) Measuring Circuit: ※Easy to match Impedance S11/S22 75Ω by parallel with about( pF) / ( pF).



Approval	Supervisor	Designer	Aperture size
C.Y.Chang	C.S.Chang	J.F.Lin	7H3(4*4.5F) 7H046LB4 聚 3

TEMWELL CORPORATION

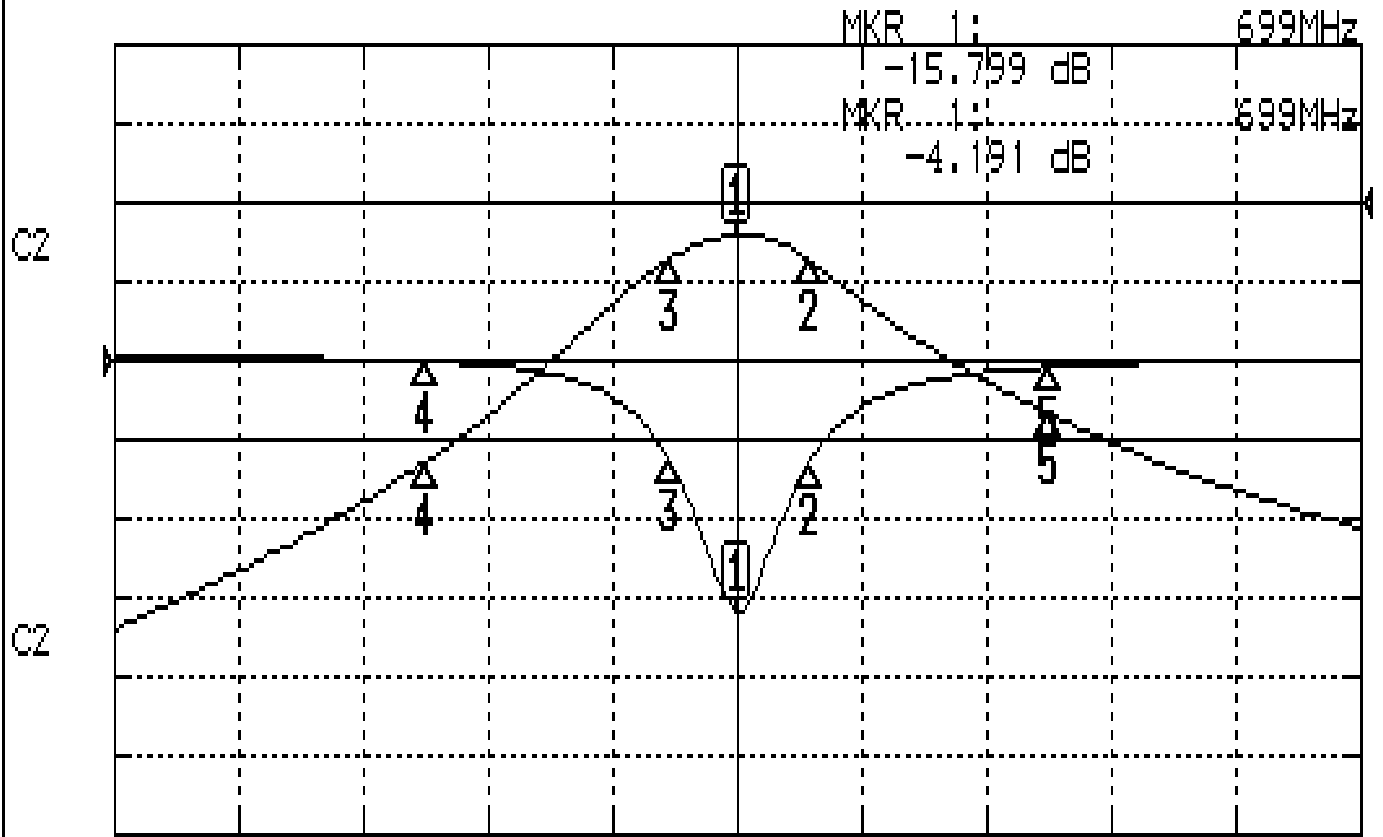
TEMWELL

Form10-7H3F Vision D RP(J.F.Lin)

# Performance-TTL63185F-699M

## 0701106DC

CH1 S11 LOG MAG REF 0.000 dB 5.000 dB/  
CH2 S21 LOG MAG REF 0.000 dB 10.000 dB/



CENTER 699MHz

[ 10.00 dBm ]

SPAN 100MHz

### CH1 MARKER LIST

1:	699.000MHz	-15.799 dB
2:	704.833MHz	-6.393 dB
3:	693.500MHz	-6.142 dB
4:	674.000MHz	-0.023 dB
5:	724.000MHz	-0.401 dB
6:		
7:		
8:		
9:		
10:		

### CH2 MARKER LIST

1:	699.000MHz	-4.191 dB
2:	704.833MHz	-7.208 dB
3:	693.500MHz	-7.212 dB
4:	674.000MHz	-32.667 dB
5:	724.000MHz	-26.728 dB