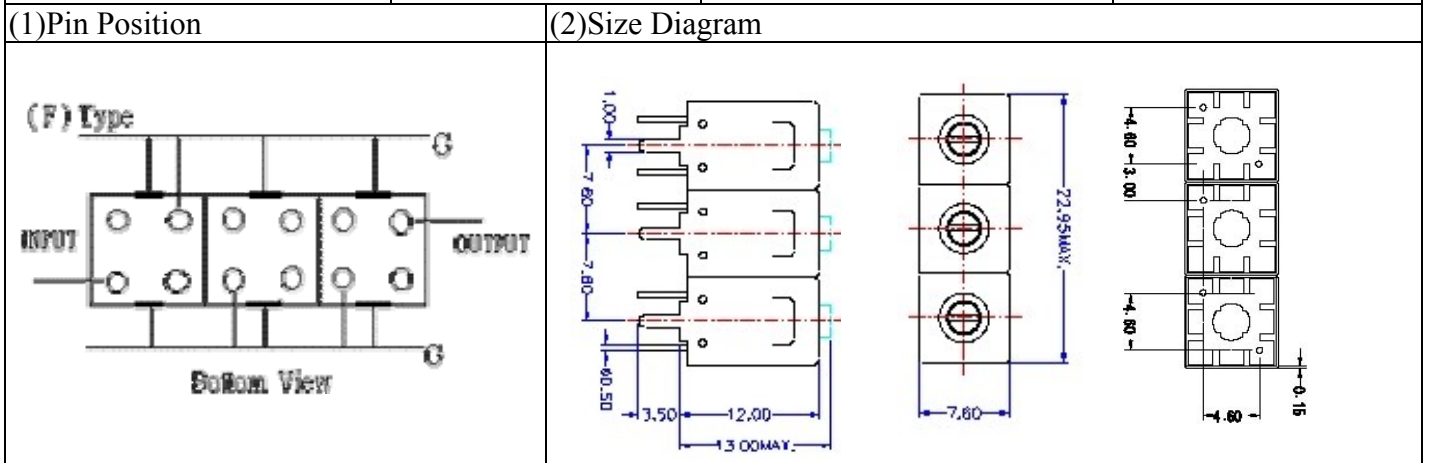


VHF UHF Helical Filter Specification Sheet

| | | | |
|----------------------|------------|------------------------------|----------------|
| Customer Name | | Temwell's Part No. | TTL63183F-683M |
| Approval No. /dated | 0701104APR | Acceptable Specify Fo Range. | 661~700MHz |
| Work Instruction No. | 0701104DC | Date | Jan.29.2007 |



(3) Electric Characteristic

| Item | Specify | Performance |
|------------------------------|-----------------|-----------------|
| Center Freq.(Fo) +/- 0.5 % | 683 MHz | 683 MHz |
| Tunable Range: | 683±5 MHz | 683±5 MHz |
| Insertion Loss | Typ. 5.0 dB | 3.98 dB |
| -3 dB Bandwidth | Typ. 8 MHz | 11.7 MHz |
| Sensitivity (Attenuation) | Fo - 20 MHz | Typ. 24 dB |
| | Fo + 20 MHz | Typ. 21 dB |
| | Fo - ()MHz | Typ. dB |
| | Fo + ()MHz | Typ. dB |
| Return Loss | Min. 12 dB | 22.0 dB |
| Ripple | < 1 dB | dB |
| Impedance | In / Out : 75 Ω | In / Out : 75 Ω |

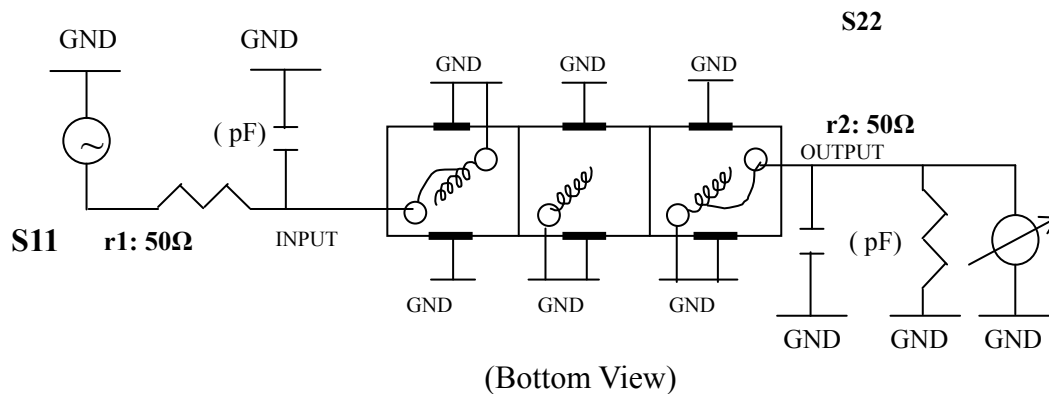
(4) Torque for Tuning Screw > 60gf · cm

(5) Temperature Condition:

| | |
|-----------------------|--------------|
| Operating Temperature | 0°C ~ +60°C |
| Storage Temperature | 20°C ~ +70°C |

(6) Input Power > 1Watt

(7) Measuring Circuit: ※Easy to match Impedance S11/S22 75Ω by parallel with about(pF) / (pF).



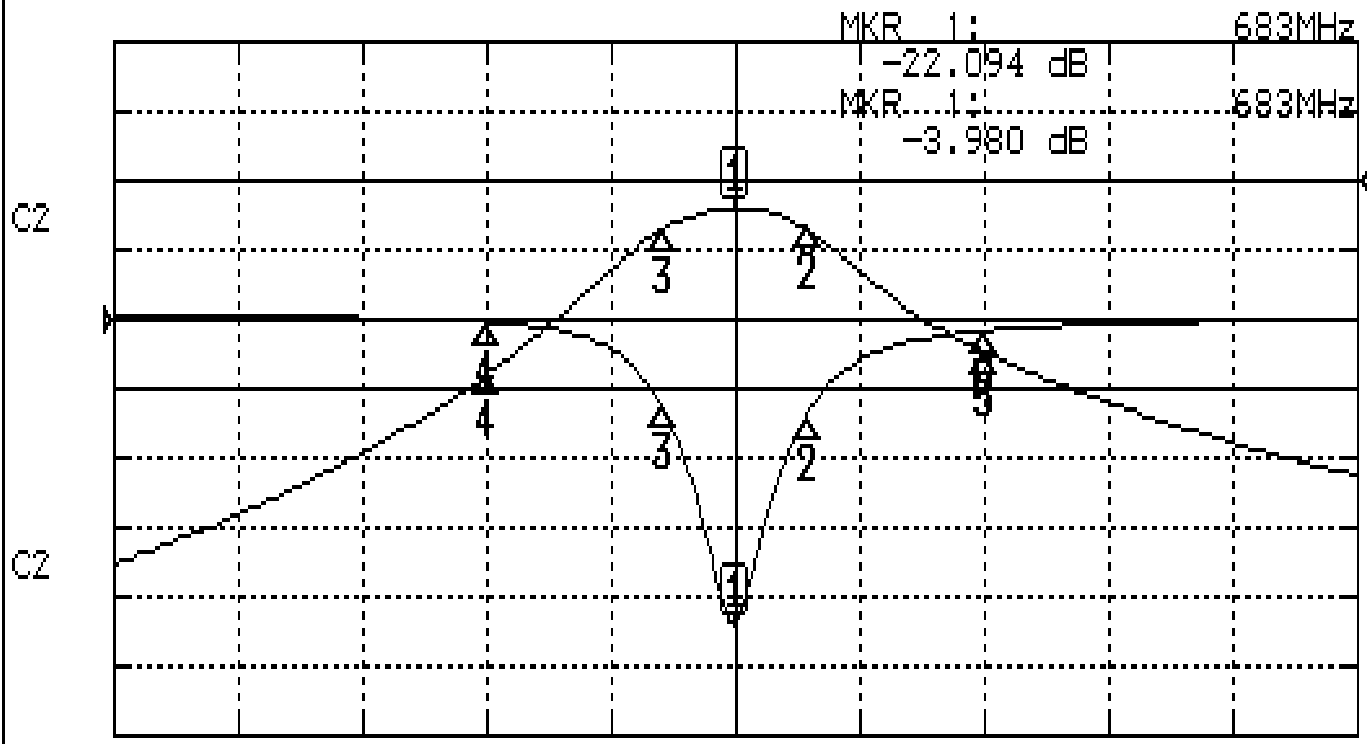
| | | | |
|-----------------------|-------------------------|---------------------|----------------------------------------------|
| Approval C.Y.Chang | Supervisor C.S.Chang | Designer J.F.Lin | Aperture size 7H3(4*4.5F) 7H046LB4 聚 3 |
|-----------------------|-------------------------|---------------------|----------------------------------------------|

TEMWELL CORPORATION

Performance-TTL63183F-683M

0701104DC

| | | | | | |
|------------|-----|---------|-----|----------|------------|
| CH1 | S11 | LOG MAG | REF | 0.000 dB | 5.000 dB/ |
| CH2 | S21 | LOG MAG | REF | 0.000 dB | 10.000 dB/ |



CENTER 683MHz

[10.00 dBm]

SPAN 100MHz

CH1 MARKER LIST

| | | | |
|----|------------|---------|----|
| 1: | 683.000MHz | -22.094 | dB |
| 2: | 688.750MHz | -6.887 | dB |
| 3: | 677.083MHz | -6.253 | dB |
| 4: | 663.000MHz | -0.170 | dB |
| 5: | 703.000MHz | -0.809 | dB |

CH2 MARKER LIST

| | | | |
|----|------------|---------|----|
| 1: | 683.000MHz | -3.980 | dB |
| 2: | 688.750MHz | -7.011 | dB |
| 3: | 677.083MHz | -7.061 | dB |
| 4: | 663.000MHz | -27.873 | dB |
| 5: | 703.000MHz | -24.692 | dB |