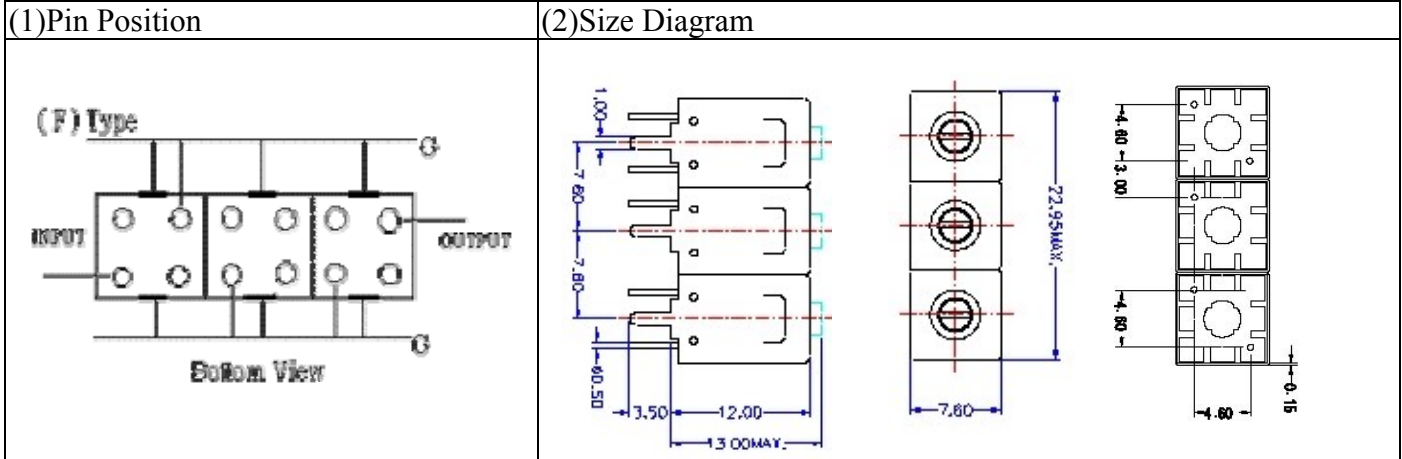
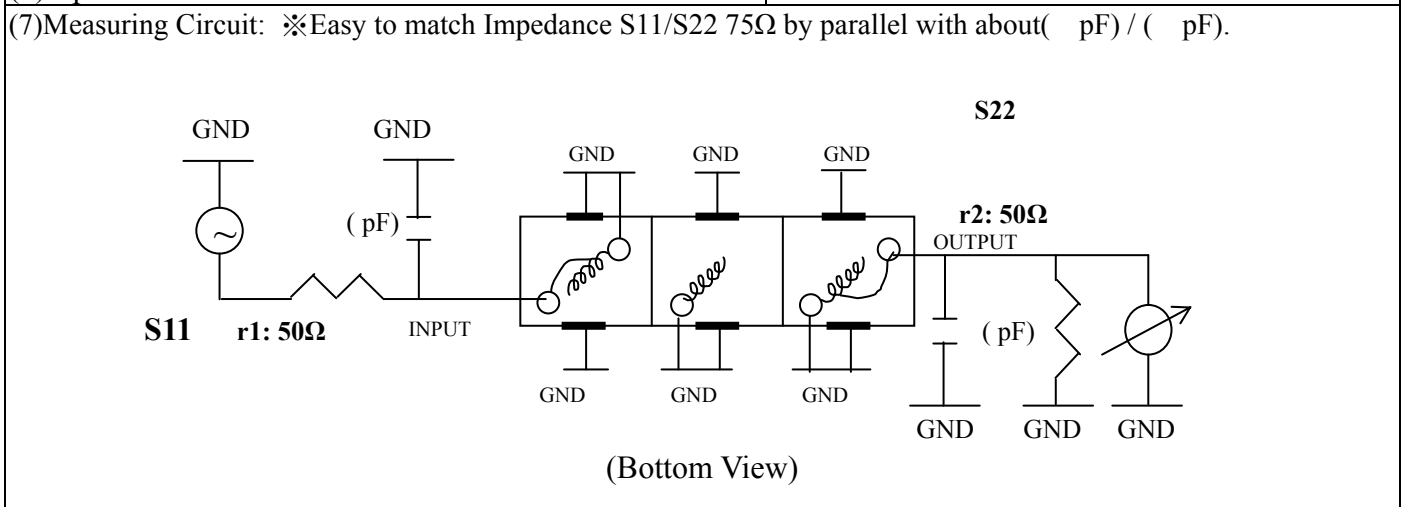


VHF UHF Helical Filter Specification Sheet

Customer Name		Temwell's Part No.	TTL63182F-675M
Approval No. /dated	0701103APR	Acceptable Specify Fo Range.	661~700MHz
Work Instruction No.	0701103DC	Date	Jan.27.2007



(3) Electric Chararistic			
Item	Specify	Performance	
Center Freq.(Fo) +/- 0.5 %	675 MHz	675 MHz	
Tunable Range:	675±5 MHz	675±5 MHz	
Insertion Loss	Typ. 5.0 dB	3.66 dB	
-3 dB Bandwidth	Typ. 8 MHz	11.5 MHz	
Sensitivity (Attenuation)	Fo - 25 MHz	Typ. 24 dB	27 dB
	Fo + 25 MHz	Typ. 20 dB	23 dB
	Fo - ()MHz	Typ. dB	dB
	Fo +()MHz	Typ. dB	dB
Return Loss	Min. 12 dB	22.1 dB	
Ripple	< 1 dB	dB	
Impedance	In / Out : 75 Ω	In / Out : 75 Ω	
(4) Torque for Tuning Screw		> 60gf • cm	
(5) Temperature Condition:			
Operating Temperature		0°C ~ +60°C	
Storage Temperature		20°C ~ +70°C	
(6) Input Power		> 1Watt	



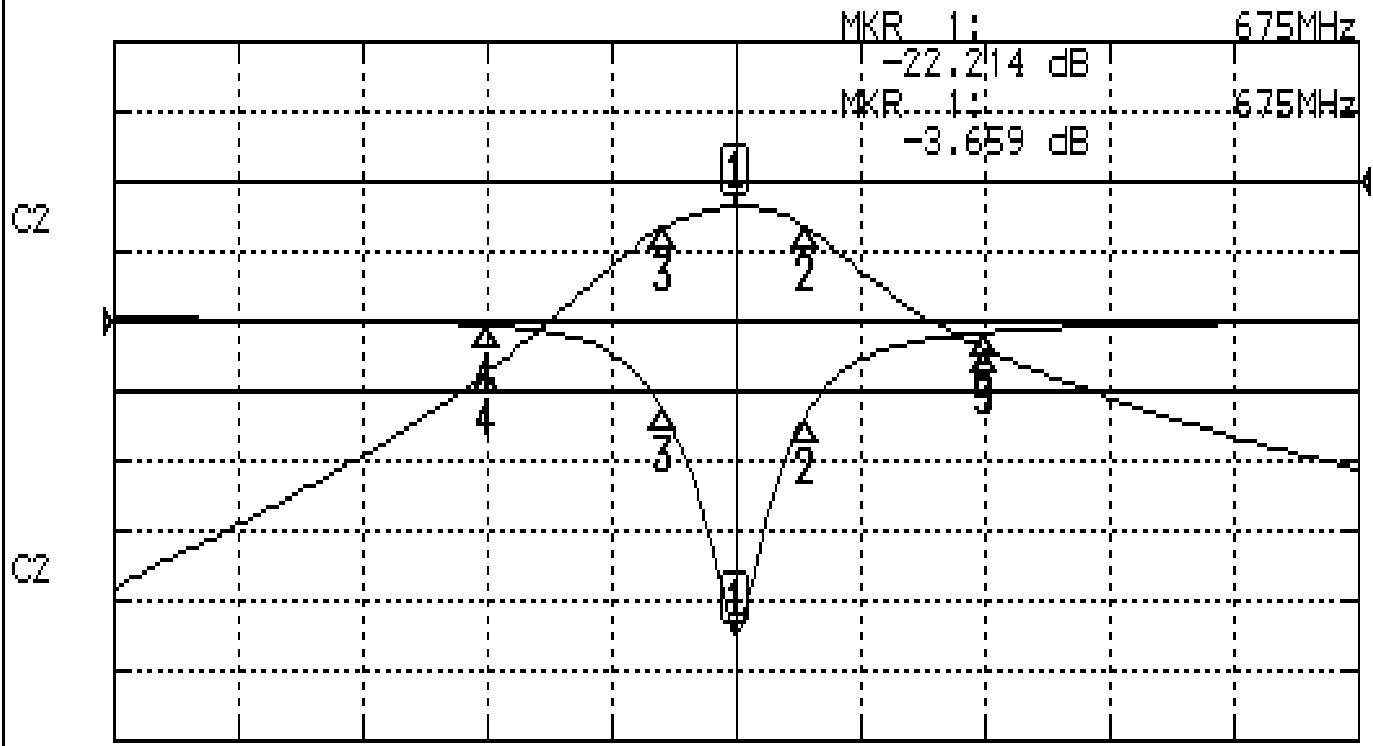
Approval	Supervisor	Designer	Aperture size
C.Y.Chang	C.S.Chang	J.F.Lin	7H3(4*4.65F) 7H046LB4 聚 3

TEMWELL CORPORATION

Performance-TTL63182F-675M

0701103DC

CH1 S11 LOG MAG REF 0.000 dB 5.000 dB/
CH2 S21 LOG MAG REF 0.000 dB 10.000 dB/



CENTER 675MHz

[10.00 dBm]

SPAN 100MHz

CH1 MARKER LIST

1:	675.000MHz	-22.161	dB
2:	680.583MHz	-6.801	dB
3:	669.083MHz	-6.205	dB
4:	655.000MHz	-0.243	dB
5:	695.000MHz	-0.795	dB

CH2 MARKER LIST

1:	675.000MHz	-3.666	dB
2:	680.583MHz	-6.666	dB
3:	669.083MHz	-6.646	dB
4:	655.000MHz	-27.311	dB
5:	695.000MHz	-23.945	dB