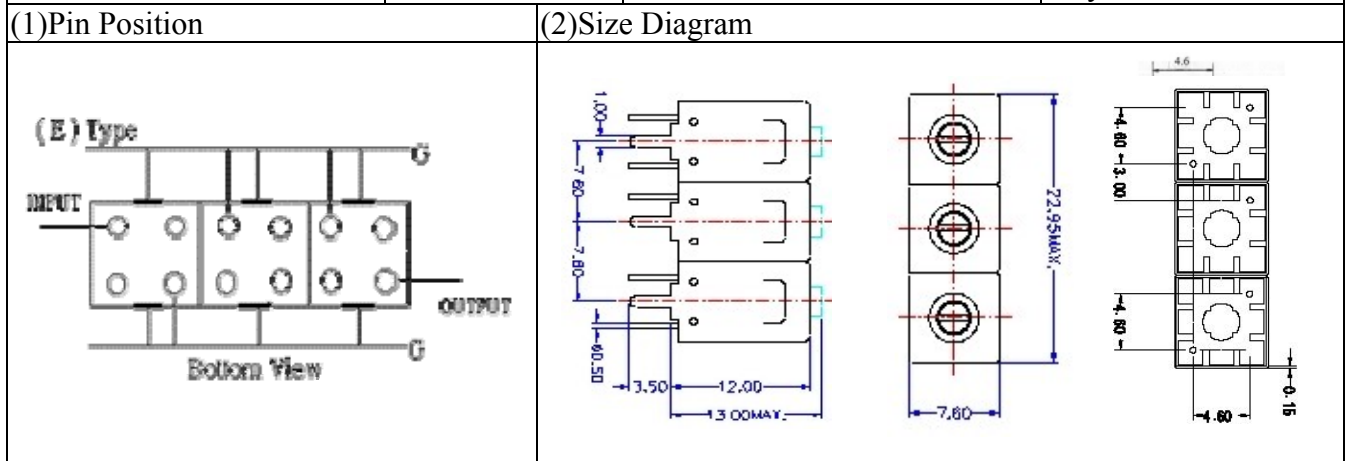


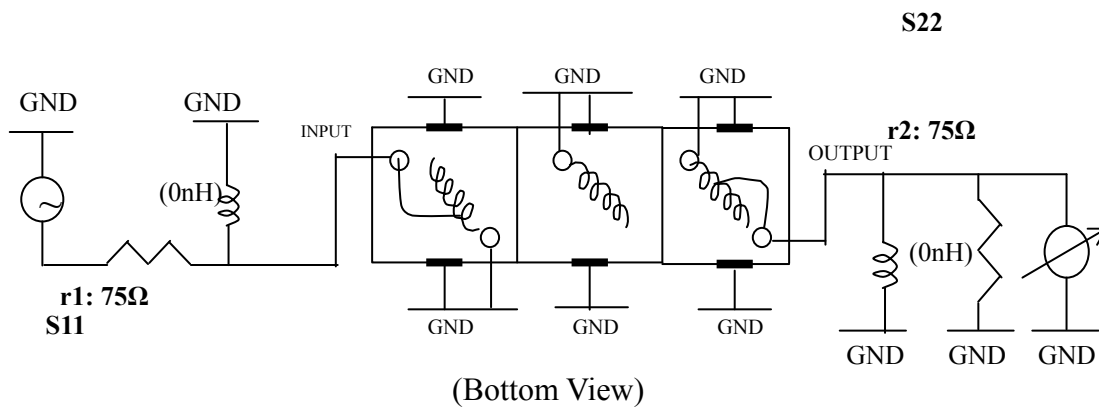
VHF UHF Helical Filter Specification Sheet

Customer Name		Temwell's Part No.	TTL63181E-666M
Approval No. /dated	0805039CD	Acceptable Specify Fo Range	661~700MHz
Work Instruction No.	0805039CD	Date	May.15.2008



(3) Electric Characteristic			
Item		Specify	Performance
Center Freq.(Fo) +/- 0.5 %		666 MHz	666 MHz
Tunable Range:		666±5 MHz	666±5 MHz
Insertion Loss		Typ. 5.0 dB	4.15 dB
-3 dB Bandwidth		Typ. 8 MHz	11.6 MHz
Sensitivity (Attenuation)	Fo - 15 MHz	Typ. 19 dB	22 dB
	Fo + 15 MHz	Typ. 23 dB	26 dB
	Fo - ()MHz	Typ. dBc	dBc
	Fo +()MHz	Typ. dBc	dBc
Return Loss		Min. 12 dB	26. dB
Ripple		< 1 dB	dB
Impedance		In / Out : 75 Ω	In / Out : 75 Ω
(4) Torque for Tuning Screw		> 100gf · cm	
(5) Temperature Condition:			
Operating Temperature		0°C ~ +60°C	
Storage Temperature		-20°C ~ +70°C	
(6) Input Power		> 1Watt	

(7) Measuring Circuit: ※Easy to match Impedance S11/S22 75Ω by parallel with about(0 nH) / (0 nH).



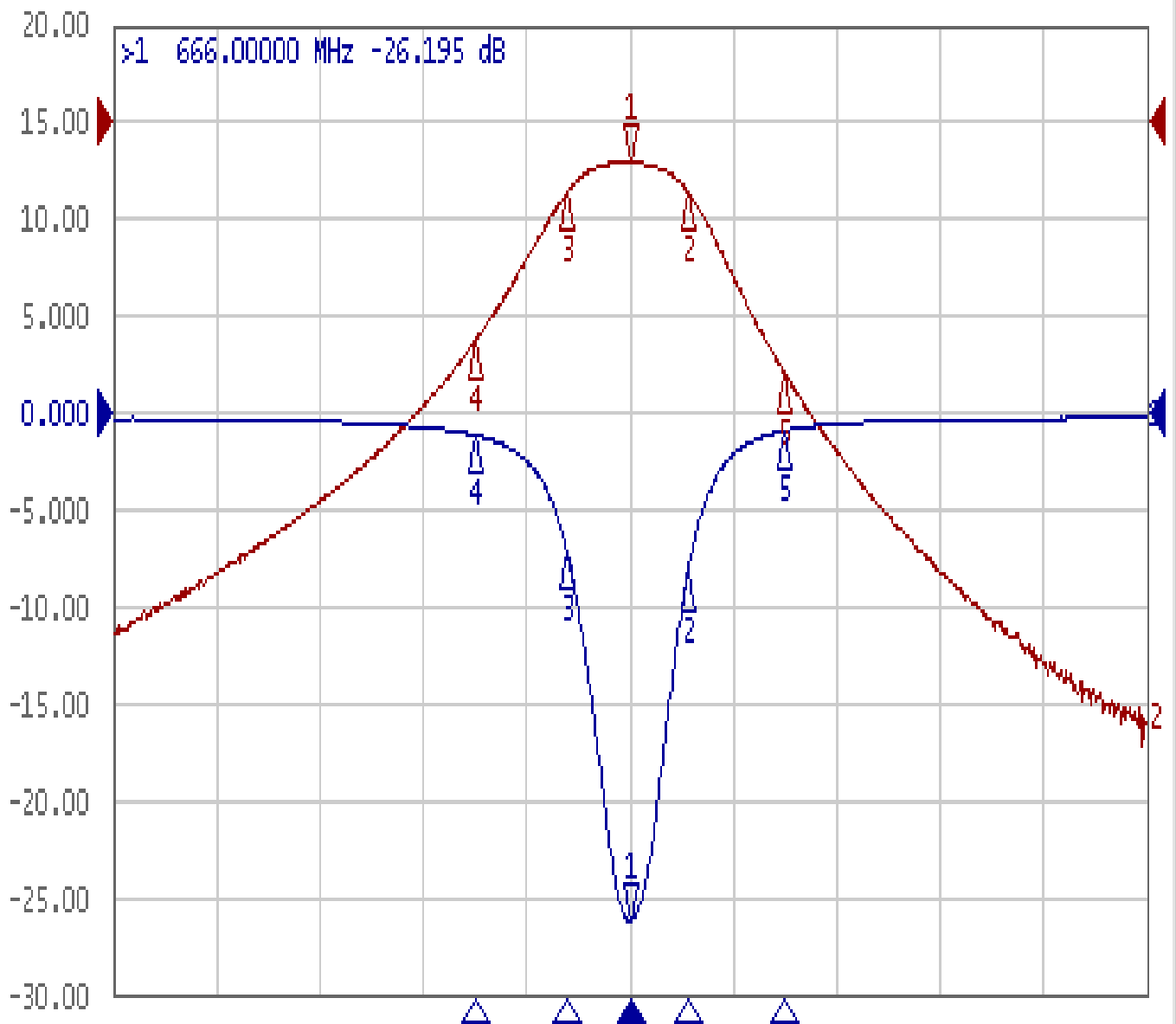
Approval	Supervisor	Designer	Aperture size
C.Y.Chang	C.S.Chang	C.S.Chang	7H3(4*4.5) 7H046LB4

TEMWELL CORPORATION

Performance-TTL63181E-666M

0805039CD

▶ Tr1 S11 Log Mag 5.000dB/ Ref 0.000dB [F2]
Tr2 S21 Log Mag 10.00dB/ Ref 0.000dB [F2]



1 Center 666 MHz

IFBW 10 kHz

Span 100 MHz

Sim C? !

Ch1	Tr1	S11	>1	666.00000	MHz	-26.195	dB
Ch1	Tr1	S11	2	671.55300	MHz	-8.3194	dB
Ch1	Tr1	S11	3	659.92400	MHz	-7.1992	dB
Ch1	Tr1	S11	4	651.00000	MHz	-1.1467	dB
Ch1	Tr1	S11	5	681.00000	MHz	-0.8903	dB
Ch1	Tr2	S21	1	666.00000	MHz	-4.1515	dB
Ch1	Tr2	S21	2	671.55300	MHz	-7.0951	dB
Ch1	Tr2	S21	3	659.92400	MHz	-7.1455	dB
Ch1	Tr2	S21	4	651.00000	MHz	-22.588	dB
Ch1	Tr2	S21	5	681.00000	MHz	-26.023	dB